

QA1

INSTALLATION INSTRUCTIONS

'65-'72 F100 Engine Swap Mounts

P/N 7740-215 thru 7740-254



| ENGINE | MOUNTING KIT PART # |
|------------|---------------------|
| FE | 7740-251 |
| WINDSOR | 7740-252 |
| MOD/COYOTE | 7740-253 |
| LS | 7740-254 |

TOOLS AND SUPPLIES REQUIRED

- QA1 F100 Front Suspension Conversion
- Wrench Set
- Socket Set

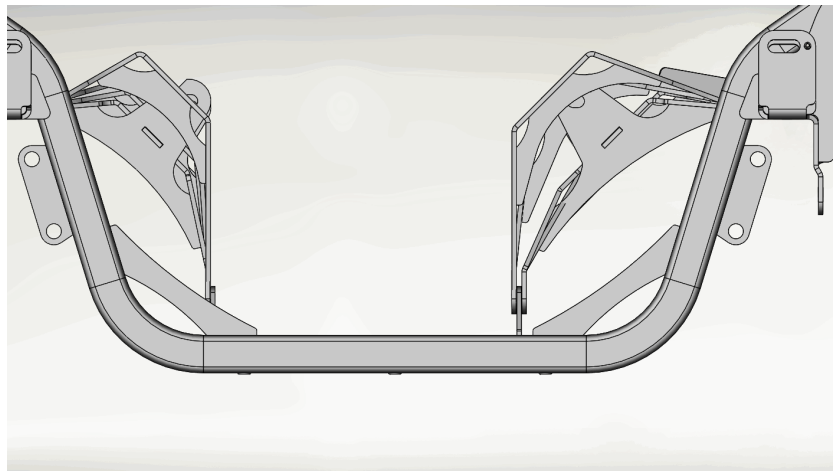
PRE INSTALLATION NOTES:

The engine mounts use a total for both Left & Right mounts: (6) 3/8"-16 X 1" bolts, (12) 3/8" SAE Washers, and (6) 3/8"-16 Nylock nuts. This hardware comes in hardware kit 7039-225.

The LS mount kit will come with 12mm bolts and nuts to attach to the customer supplied 98-02 Camaro LS1 engine mounts.

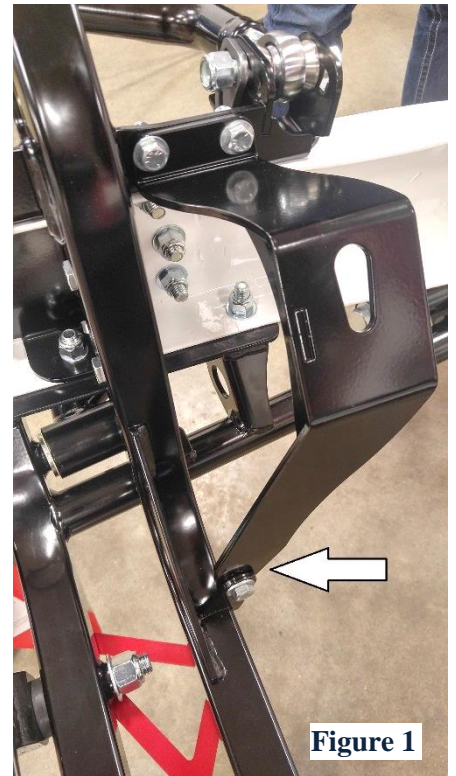
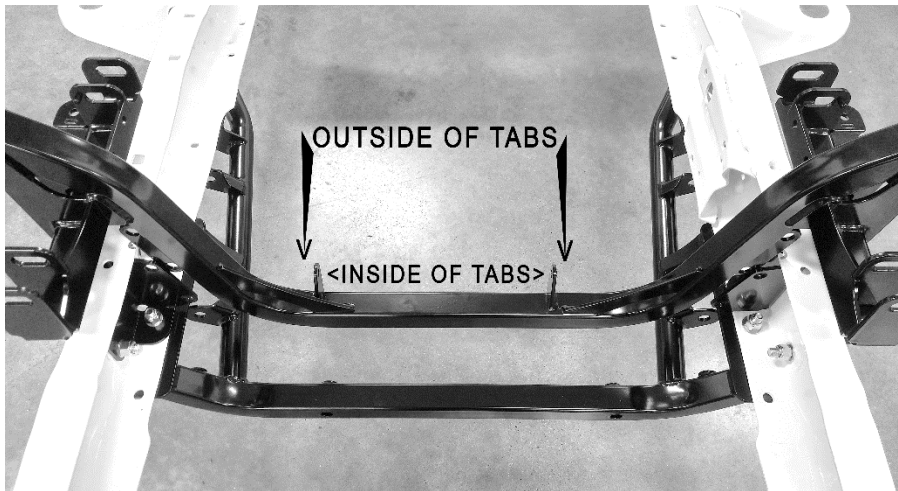
Mod/Coyote will use 96-04 Mustang 4.6L Left & Right engine mounts and will require an oil filter relocation kit. Some aftermarket accessory drives will move alternator and create clearance issues. Mounts designed with Ford crate alternator bracket.

FE and Winsor use the Factory F100 engine mounts.



ENGINE MOUNT INSTALLATION:

1. Install passenger side mount with lower connection on the outside of the mounting tab and tighten hardware to 24 lb. ft. **(Figure 1)**
2. Install drivers side mount. **WINDSOR AND FE** lower mount to be installed on the **INSIDE** of crossmember tab. **MOD/COYOTE & LS** lower mount to be installed on **OUTSIDE** of crossmember tab.
3. Torque all hardware to 24 lb-ft



Technical Support Line: (952) 985-5675 Email: Info@QA1.net

READ ALL INSTRUCTIONS CAREFULLY AND THOROUGHLY PRIOR TO STARTING INSTALLATION. PRODUCTS THAT HAVE BEEN INSTALLED ARE NOT ELIGIBLE FOR RETURN. USE THE PROPER JACKING LOCATIONS. DEATH OR SERIOUS INJURY CAN RESULT IF INSTRUCTIONS ARE NOT CORRECTLY FOLLOWED. A GOOD CHASSIS MANUAL, AVAILABLE AT YOUR LOCAL PARTS STORE, MAY ALSO AID IN YOUR INSTALLATION.

• DISCLAIMER / WARRANTY •

QA1 WARRANTS THAT THE PRODUCTS WILL BE FREE FROM DEFECTS IN MATERIAL AND WORKMANSHIP FOR ONE YEAR FROM DATE OF SALE TO THE ORIGINAL PURCHASER. QA1 MAKES NO OTHER WARRANTY OF ANY KIND, EXPRESSED OR IMPLIED. QA1 SHALL HAVE NO OBLIGATION UNDER THE FOREGOING WARRANTY WHERE THE DEFECT IS THE RESULT OF IMPROPER OR ABNORMAL USE, YOUR NEGLIGENCE, VEHICLE ACCIDENT, IMPROPER OR INCORRECT INSTALLATION OR MAINTENANCE, NOR WHEN THE PRODUCT HAS BEEN REPAIRED OR ALTERED IN ANY WAY. QA1'S LIABILITY IN THE CASE OF DEFECTIVE PRODUCTS SUBJECT TO THE FOREGOING WARRANTY SHALL BE LIMITED TO THE REPAIR OR REPLACEMENT, AT QA1'S OPTION, OF THE DEFECTIVE PRODUCTS.

THE USER UNDERSTANDS AND RECOGNIZES THAT RACING PARTS, SPECIALIZED STREET ROD EQUIPMENT, AND ALL PARTS AND SERVICES SOLD BY QA1 ARE EXPOSED TO MANY AND VARIED CONDITIONS DUE TO THE MANNER IN WHICH THEY ARE INSTALLED AND USED. QA1 SHALL BEAR NO LIABILITY FOR ANY LOSS, DAMAGE OR INJURY, EITHER TO A PERSON OR TO PROPERTY, RESULTING FROM THE INSTALLATION, DIRECT OR INDIRECT USE OF ANY QA1 PRODUCTS OR INABILITY BY THE BUYER TO DETERMINE PROPER USE OR APPLICATION OF QA1 PRODUCTS. WITH THE EXCEPTION OF THE LIMITED LIABILITY WARRANTY SET FORTH ABOVE, QA1 SHALL NOT BE LIABLE FOR ANY CLAIMS, DEMANDS, INJURIES, DAMAGES, ACTIONS, OR CAUSES OF ACTION WHATSOEVER TO BUYER ARISING OUT OF OR CONNECTED WITH THE USE OF ANY QA1 PRODUCTS. MOTORSPORTS ARE DANGEROUS; AS SUCH, NO WARRANTY OR REPRESENTATION IS MADE AS TO THE PRODUCT'S ABILITY TO PROTECT THE USER FROM INJURY OR DEATH. THE USER ASSUMES THAT RISK!