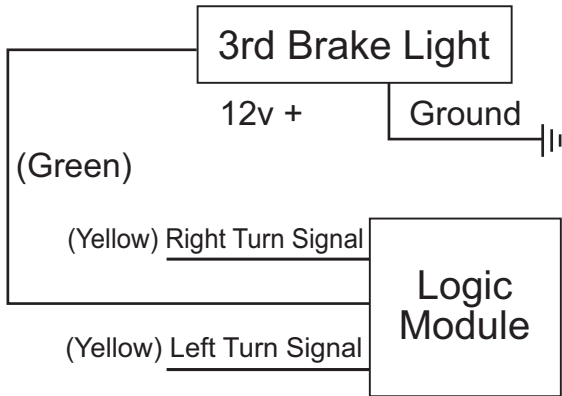




LOGIC MODULE INSTALLATION INSTRUCTIONS PART # 20-702

The purpose of the Logic Module is to allow the installation of a 3rd brake light. The module takes the signal from the tail lights and filters out the turn signals, therefore illuminating the 3rd brake light only when the vehicles brakes are applied.



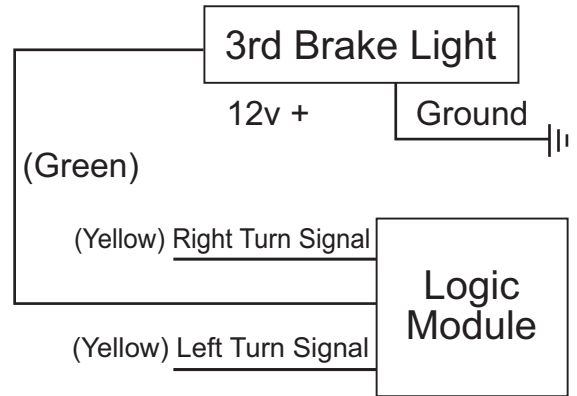
Pacer Performance Products, Los Angeles, CA
800.423.2442 • www.pacerperformance.com

20-702-instructionsheet Rev-01252017



LOGIC MODULE INSTALLATION INSTRUCTIONS PART # 20-702

The purpose of the Logic Module is to allow the installation of a 3rd brake light. The module takes the signal from the tail lights and filters out the turn signals, therefore illuminating the 3rd brake light only when the vehicles brakes are applied.



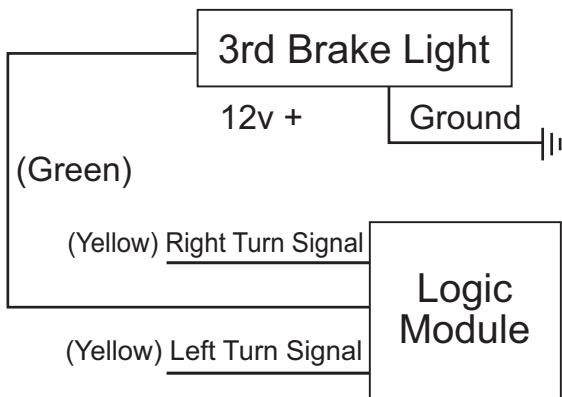
Pacer Performance Products, Los Angeles, CA
800.423.2442 • www.pacerperformance.com

20-702-instructionsheet Rev-01252017



LOGIC MODULE INSTALLATION INSTRUCTIONS PART # 20-702

The purpose of the Logic Module is to allow the installation of a 3rd brake light. The module takes the signal from the tail lights and filters out the turn signals, therefore illuminating the 3rd brake light only when the vehicles brakes are applied.



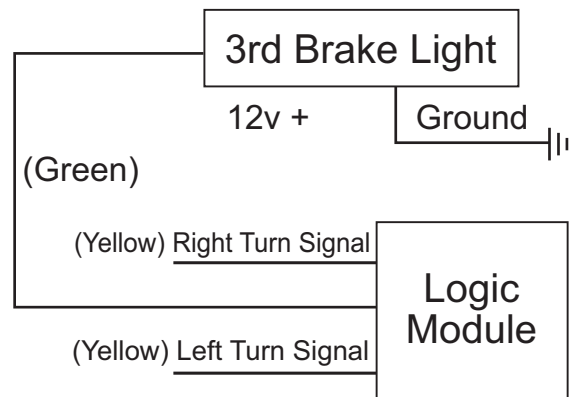
Pacer Performance Products, Los Angeles, CA
800.423.2442 • www.pacerperformance.com

20-702-instructionsheet Rev-01252017



LOGIC MODULE INSTALLATION INSTRUCTIONS PART # 20-702

The purpose of the Logic Module is to allow the installation of a 3rd brake light. The module takes the signal from the tail lights and filters out the turn signals, therefore illuminating the 3rd brake light only when the vehicles brakes are applied.



Pacer Performance Products, Los Angeles, CA
800.423.2442 • www.pacerperformance.com

20-702-instructionsheet Rev-01252017