

Installation Manual

10580 KIT

KickBack-style Mud Flaps

Universal Application*

KITS AVAILABLE IN:

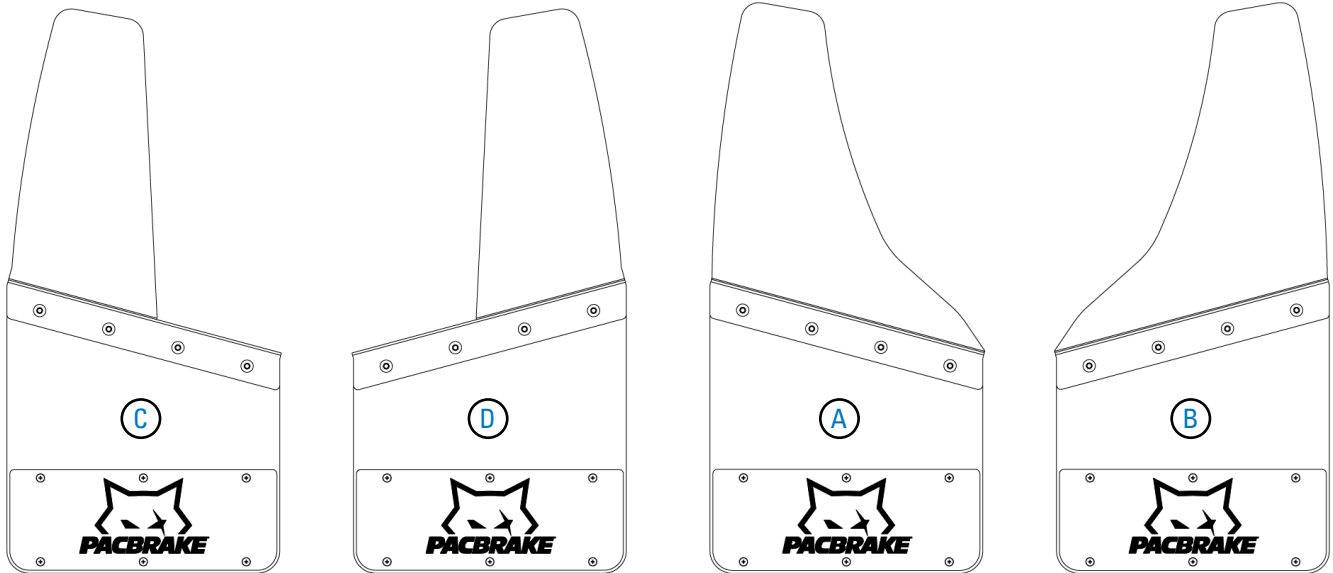
- ▶ 12"W x 10"L
- ▶ 12"W x 12"L
- ▶ 14"W x 12"L
- ▶ 14"W x 14"L

Built for big tires, and even bigger protection, providing the perfect clearance right where you need it.

Thank you and congratulations on the purchase of a KickBack-style Mud Flaps Kit. Please read the entire manual prior to starting the installation to ensure you can complete it once started.

FRONT

REAR



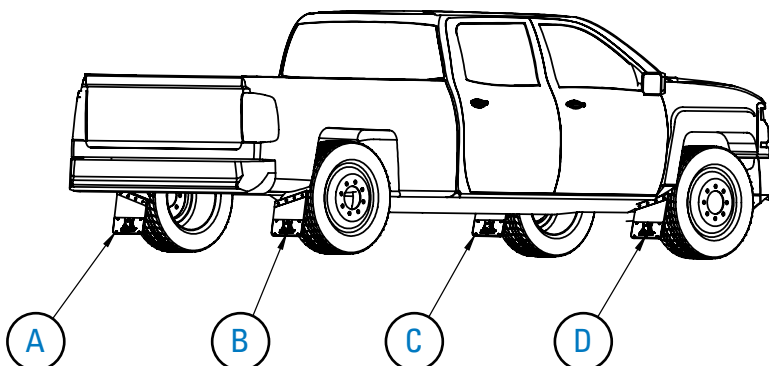
KIT CONTENTS

Please make sure all the items shown in the kit contents are provided in your kit before starting the installation.

KIT CONTENTS		QTY	PART #
A	KickBack-style Flap, Rear Left	1	HP1946
B	KickBack-style Flap, Rear Right	1	HP1947
C	KickBack-style Flap, Front Left	1	HP1944
D	KickBack-style Flap, Front Right	1	HP1945
E	Screw, 1/4" x 1.25" Self-Drilling	16	HP1936

REQUIRED TOOLS

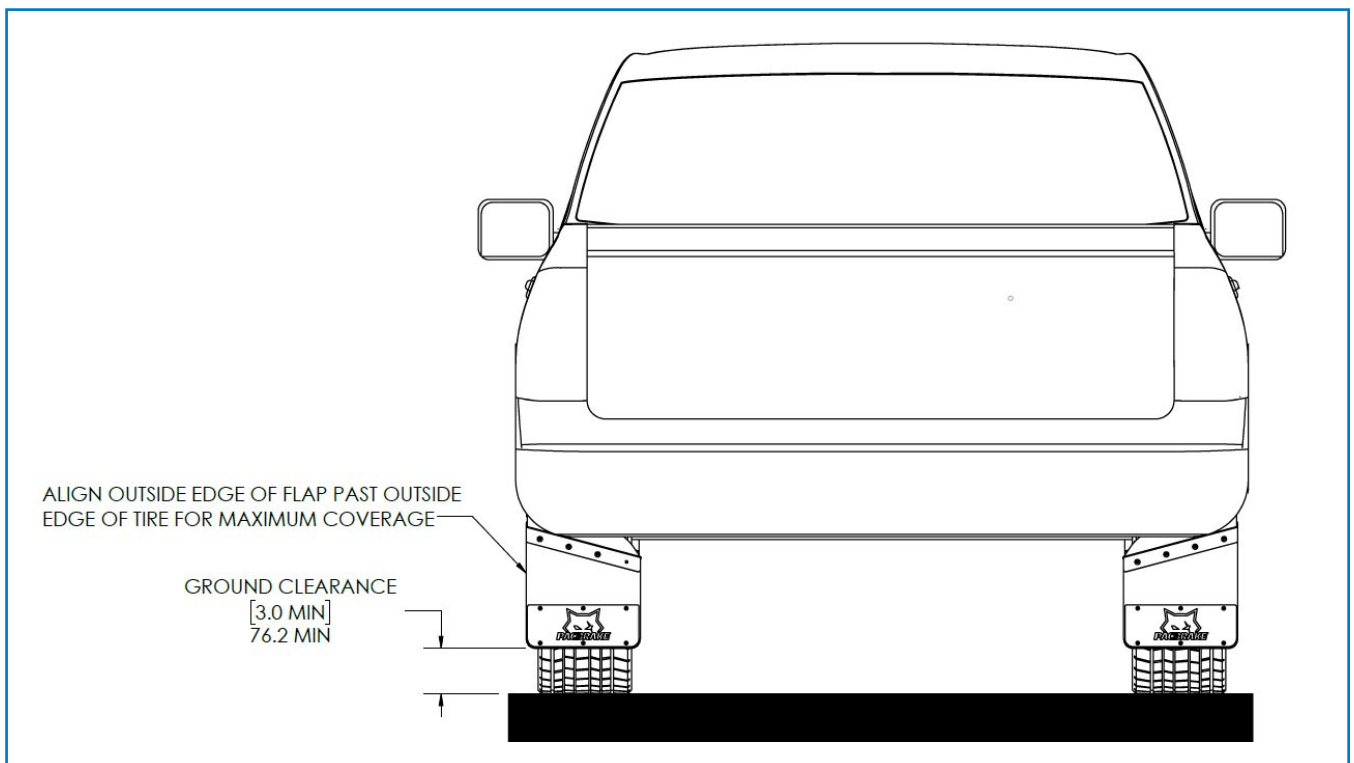
- Safety Glasses
- Power Drill
- F Size Drill Bit
- 3/8" Socket and Driver



INSTALLATION INSTRUCTIONS

- 1 Remove OEM mud flaps / mud guards and fasteners if equipped.
- 2 Remove OEM fasteners securing panels or trim in mounting location.
- 3 Align flap in wheel well in desired mounting position with bottom of mud flap parallel to the ground (as shown in Figure 3).
ⓘ Ensure bottom of flap is at least 76.2 mm [3"] above the ground.

Aligning outer edge of mud flap past outside edge of tire provides maximum coverage.



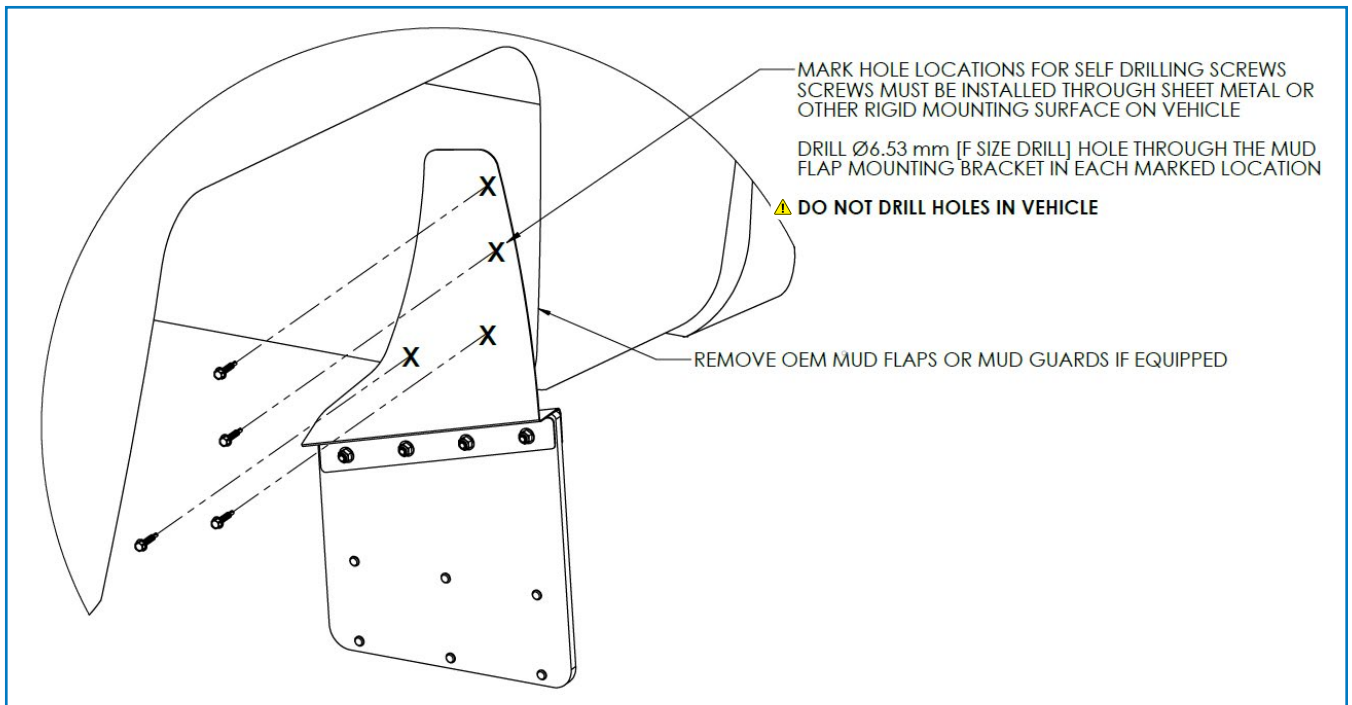
3

- 4 Mark or transfer locations of OEM flap mounting holes if applicable.
- 5 Mark four desired locations for self-drilling screws on mud flap bracket. (See Figure 6 on the following page for reference)
Screws should be evenly spaced and in locations where they will engage with sheet metal or other solid mounting surface in vehicle.

- 6 Use F size drill in locations marked for self-drilling screws. (Reference Figure 6 below)

Drill applicable clearance hole sizes in locations marked for OEM fasteners.

PLEASE NOTE: Drill holes through mud flap bracket only. ⚠ **DO NOT DRILL HOLES IN VEHICLE.**



6

- 7 Place flap with drilled holes back in previously determined position in vehicle.

ⓘ **PLEASE NOTE:** *Wheels may need to be removed to provide additional clearance for ease of installation. (If removed, please see "AFTER COMPLETING THE INSTALLATION" below)*

Fasten mud flap to OEM mounting holes with OEM fasteners if applicable.

Install self-drilling screws through pre-drilled holes into rigid mounting surfaces on vehicle.

Tighten all fasteners until flap is snug in wheel well.

AFTER COMPLETING THE INSTALLATION

ⓘ **PLEASE REMEMBER:** If wheels were removed for installation, install and torque fasteners to manufacturer's specifications.

Re-torque all fasteners after first 500 miles of driving.

WARRANTY

To be eligible for warranty, the owner must submit their warranty card or register online within 30 days of the purchase date.