

Installation Manual



10401 KIT

Ford F-250, F-350 & F-450 Super Duty (2WD/4WD)*

Use this heavy duty air suspension kit to level your truck's stance and eliminate your vehicle's sag, sway and bottoming out while providing added support for an overall smooth & safe ride.

* See application guide for proper fitment.



WARNING: This product can expose you to the chemical Hexavalent Chromate, which is known to the State of California to cause cancer and birth defects or other reproductive harm. *For more information go to www.P65Warnings.ca.gov*

Thank you and congratulations on the purchase of an air suspension kit. Please read the entire manual prior to starting the installation to ensure you can complete it once started.

IMPORTANT

This air suspension kit will not increase the GVWR (*Gross Vehicle Weight Rating*), as the GVWR is determined by the vehicle manufacturer. **Do not exceed the maximum capacity listed by the vehicle manufacturer.**

Safety Warning!

Serious personal injury or death may result from an air spring failure or accident due to improper installation or air spring pressure operation or maintenance. Please read and abide the instructions, safety recommendations and maintenance suggestions throughout this manual.

Safety Warning!

Inflating an unsecured air spring is dangerous. If it bursts, it could be hurled into the air with explosive force resulting in serious personal injury or death. Never inflate an air spring unless it is secured to the vehicle.

Safety Warning!

Removing and replacing air springs can be dangerous. This is only a job for a qualified service professional. Never perform air spring service procedures without proper training, tools, and equipment.



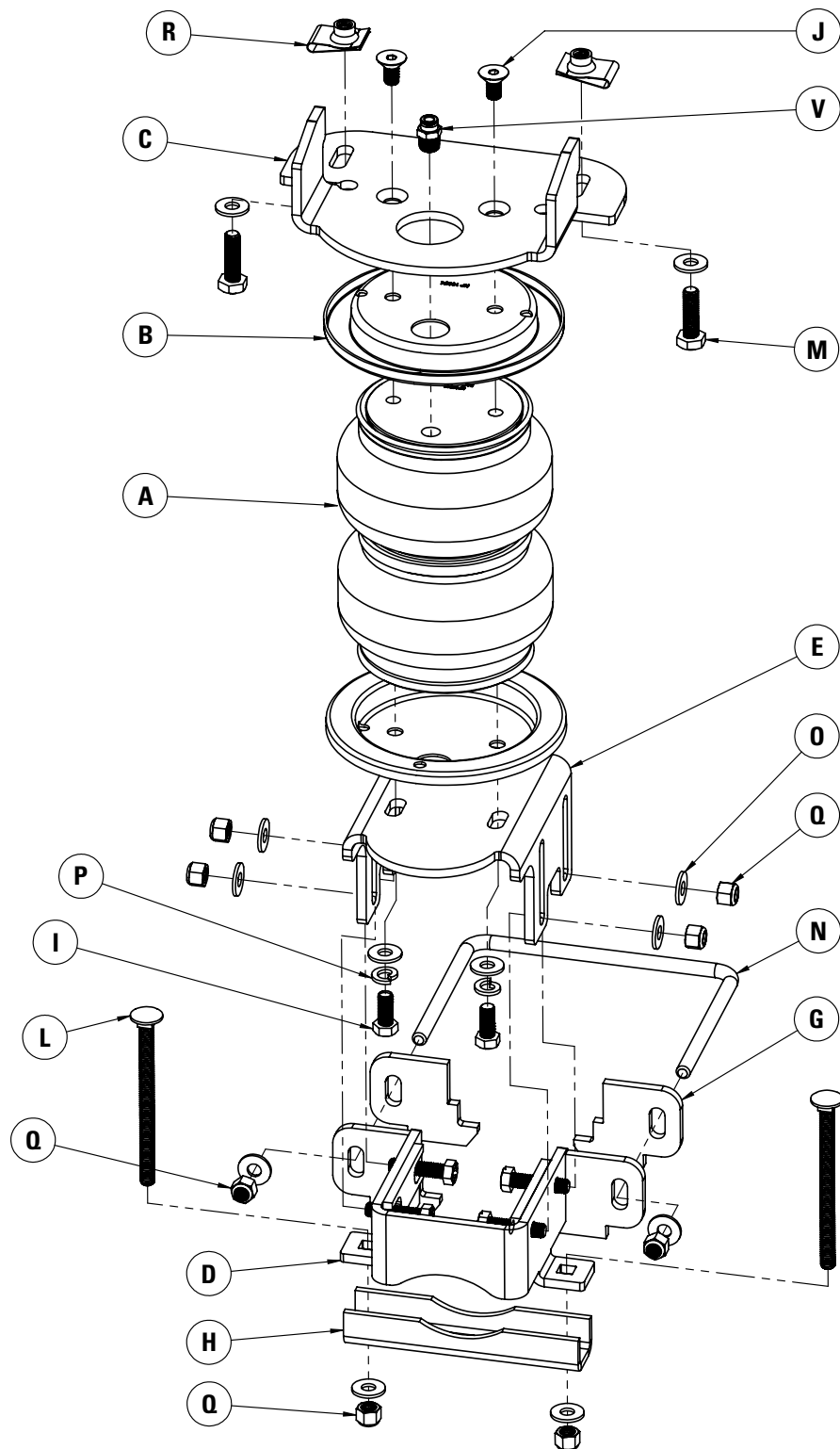
KIT CONTENTS

Reference the kit explosion diagram on the following page for part assembly.

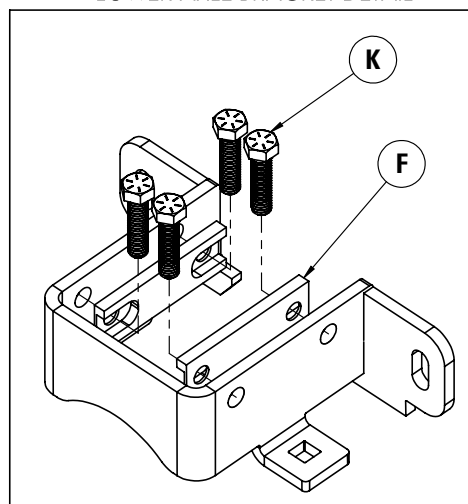
KIT CONTENTS			REQUIRED TOOLS		
	QTY	PART #			
A Air Bag	2	HP10000	• Hoist or Floor Jack		
B Roll Plate	4	HP10054	• Safety Stands		
C Upper Bracket	2	HP1485	• Safety Glasses		
D Lower Axle Bracket	2	HP1745	• Torque Wrench		
E Lower Bag Bracket	2	HP1672	• Standard Combination Wrenches		
F Lock Plate, Hex Head	4	HP1748	• 7/32" Hex Allen Wrench		
G Spacer, Lower Bracket	4	HP1749	• 1-1/8" Wrench or Deep Socket		
H Axle Strap	2	HP1383	• Ratchet		
I Bolt, 3/8" - 24 X 7/8" Hex Head	4	HP1002	• Metric & Standard Sockets		
J Bolt, 3/8" - 24 X 3/4" Countersunk	4	HP1008	• Hose Cutter (included) or Sharp Utility Knife		
K Bolt, 3/8" - 16 X 1.5" Hex Head	8	HP1646	• Pipe Thread Sealant		
L Bolt, 3/8" - 16 X 5" Carriage	4	HP1022	• Spray Bottle with Dish Soap/Water		
M Bolt, M10 X 1.5 X 35mm Hex Head	4	HP1134	• Air Compressor/Compressed Air Source (to test/fill air springs)		
N U-Bolt, 7" X 5.5" Square	2	HP1486			
O Washer, 3/8" Flat	24	C18006			
P Washer, 3/8" Split Lock	4	C18007			
Q Nut, 3/8" Nylon Lock	16	HP1000			
R Nut, M10 X 1.5mm Clip-On Barrel	4	HP1421			
S Heat Shield	2	HP0012			
T Worm Gear Ring Clamp	2	HP1001			
U Worm Gear Ring Clamp	2	HP1377			
V Fitting, 1/4" NPT Brass Straight	2	HP1099			
W Airline Hose Assembly	1	HP1344			
X Tie Strap	10	C11618			
Y Convolved Conduit	1	M8014			

Please make sure all the items shown in this explosion diagram are provided in your kit before starting the installation.

DRIVER SIDE ASSEMBLY SHOWN:



LOWER AXLE BRACKET DETAIL



BEFORE STARTING THE INSTALLATION:

1. Ensure the application information is correct for the make, model and year of the vehicle you are installing the kit on.
2. Some vehicles are equipped with a rear wheel brake proportioning valve. Check with the manufacturer before installing the air spring kit, as it may affect braking performance.
3. It is recommended to use a good quality anti-seize on all fasteners. This will reduce the chance of corrosion on the fasteners and will help facilitate removal, if required at a later date.

PLEASE NOTE:

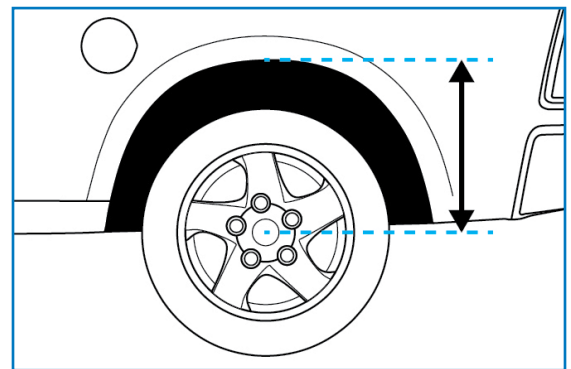
This kit contains push-to-connect fittings; using scissors or wire cutters to cut the nylon airline will distort the line and cause the connection to leak. THE AIRLINE MUST BE CUT OFF SQUARELY WITH THE NYLON HOSE CUTTER PROVIDED IN THIS KIT OR A SHARP UTILITY KNIFE.

1 MEASURE STOCK RIDE HEIGHT

Park the vehicle on a level surface.

Using a measuring tape, measure the distance between the center of the wheel hub and the bottom of the fender well (as shown in Figure 1) this will give you your ride height.

Note the ride height for all four corners.



1

2 REMOVE REAR WHEELS

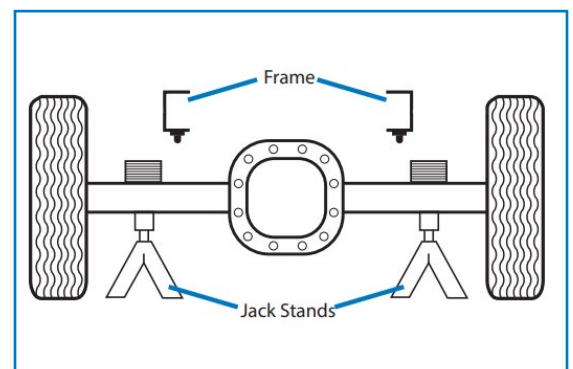
Place wheel chocks in front of and behind both front wheels.

Raise the rear of the truck high enough to remove both wheels and attain a comfortable working height.

Place two jack stands under rear axle (see Figure 2).

Lower the vehicle until the axle is supported by the jack stands.

Remove rear wheels.



2

3 PRE-ASSEMBLE AIR SPRING

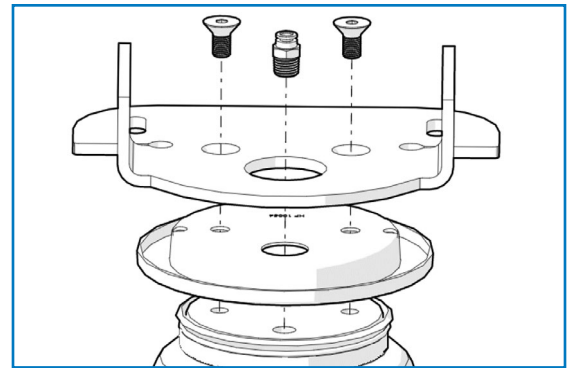
Install the 1/4" NPT fitting into the port on the top of the air spring (see Figure 3).

Tighten the fitting finger tight plus an additional 1.5 turns. The use of Teflon tape or thread sealant is recommended.

Set a roll plate and the upper bracket on top of the air spring.

Ensure all holes are aligned and install two 3/8" – 24 X 3/4" countersunk bolts.

Torque countersunk bolts to 20 ft-lbs (27 N•m)



3

4 PRE-ASSEMBLE LOWER BRACKET

Assemble the lower axle bracket and lower air spring bracket (as shown in Figure 4).

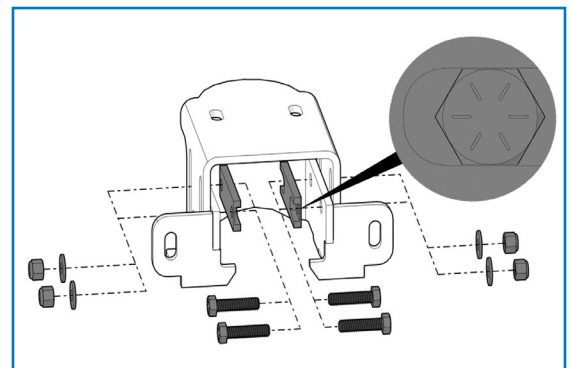
Place two bolt head lock plates in position with flat sides against the inside of the lower bracket.

Align holes and insert four 3/8" – 16 x 1.5" hex bolts through the lock plates and the lower brackets.

Attach four 3/8" flat washers and four 3/8" nylon lock nuts onto the ends of the bolts.

Align hex heads of the bolts as per the image callout. Hand-tighten nuts so that the bolt heads fall within the machined grooves of the lock plate, preventing rotation.

Do not fully tighten hardware to allow brackets to slide for placement during installation on vehicle.



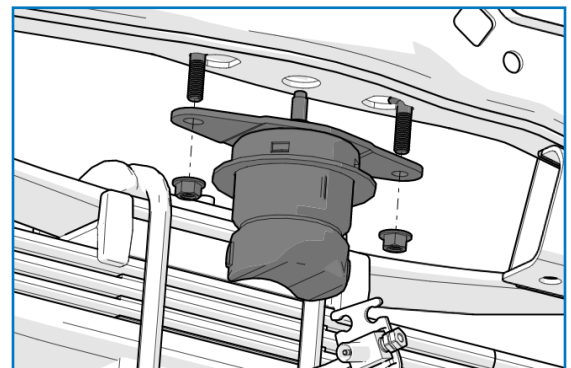
4

5 REMOVE JOUNCE BUMPER

Unbolt and remove the jounce bumper assembly from under the frame on both sides of the vehicle (as shown in Figure 5).

NOTE: It may be necessary to use an impact tool to remove the nuts.

Remove the OEM bolts and retainer clips that attached the jounce bumper assembly to the frame and discard as they will not be reused in this installation.

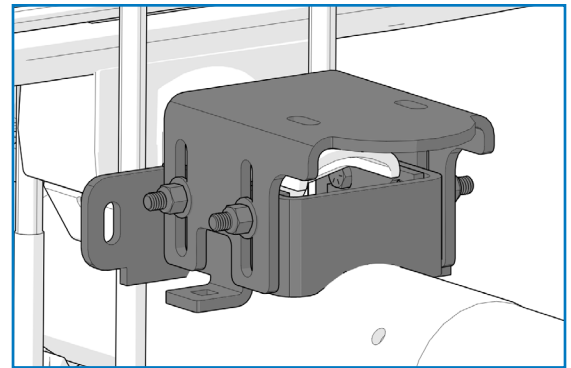


5

6 PLACE LOWER BRACKET

Twist the lower bracket assembly into position on the axle (as shown in Figure 6) with the axle bracket sitting on the axle and the air spring bracket positioned above the lift block (if equipped).

NOTE: An ABS line on the driver's side may need to be unclipped from the fixed brake line bracket to prevent pinching between the axle and bracket.



6

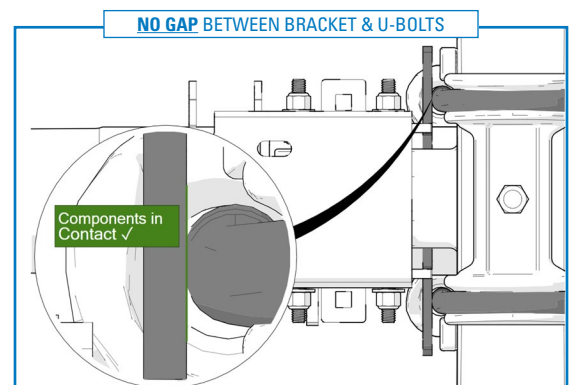
7 CHECK LOWER BRACKET FLANGES FOR CONTACT

Ensure lower axle bracket is fully resting on the vehicle axle and push the air spring assembly towards the leaf pack.

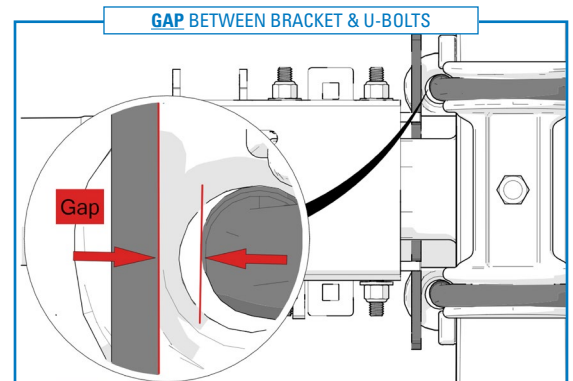
At its furthest position, observe bracket flanges for contact with the leaf spring U-bolts.

IMPORTANT INSTALL NOTE:

- If the lower axle bracket is in contact with the leaf spring U-bolts (as shown in Figure 7A) spacers are **NOT REQUIRED**.
Omit Step 8 and proceed to Step 9 on the following page.
- If there is **ANY GAP** between the lower axle bracket and the leaf spring U-bolts (as shown in Figure 7B), **spacers must be installed as per Step 8.**



7A



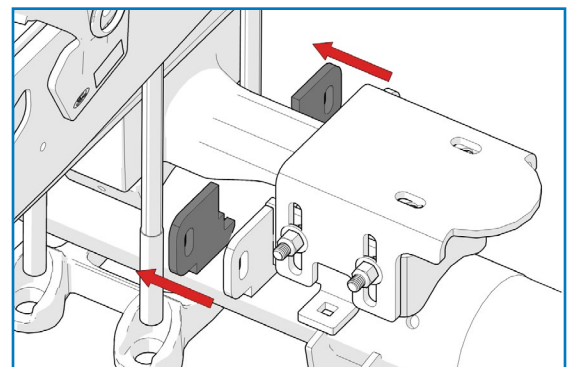
7B

8 INSTALL SPACERS

Place the two spacers provided in between the lower bracket flanges and leaf pack U-bolts (as shown in Figure 8).

Align spacers with flanges, ensuring edges and slot holes align.

Hold spacers in position while completing the next step.



8

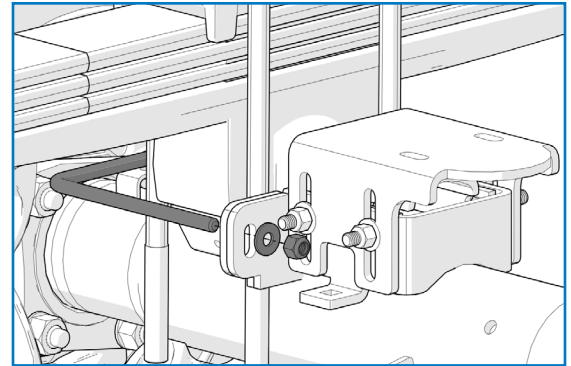
9 SECURE U-BOLT

Insert the square U-bolt around the leaf pack and through the slot holes on the spacers (if present) and lower axle bracket flanges.

Note: Figure 9 shows installation when spacers are present

Secure the U-bolt using two 3/8" flat washers and two 3/8" nylon lock nuts.

Do not fully tighten yet.



9

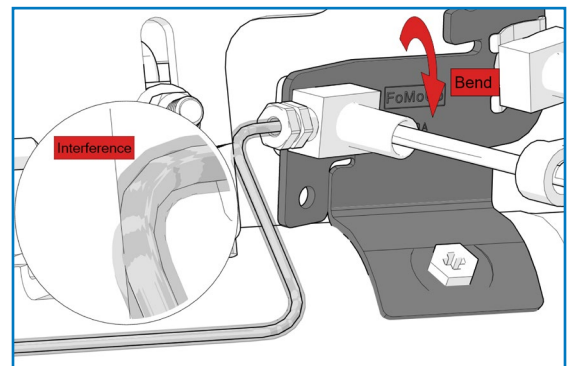
10 CHECK BRAKE LINES FOR INTERFERENCE

As shown in Figure 10, there may be interference between the lower bracket of the kit and the brake line.

Using caution not to pull or strain the brake lines: carefully bend the brake line bracket away from the air spring brackets.

It may be necessary to unbolt the retaining bracket securing the brake line under the leaf pack to adequately bend the bracket without stressing the hard lines.

It is recommended to further protect the brake lines by wrapping the line in the convoluted conduit (plastic sleeve), provided in this kit, to further reduce the risk of wear by friction or rubbing.



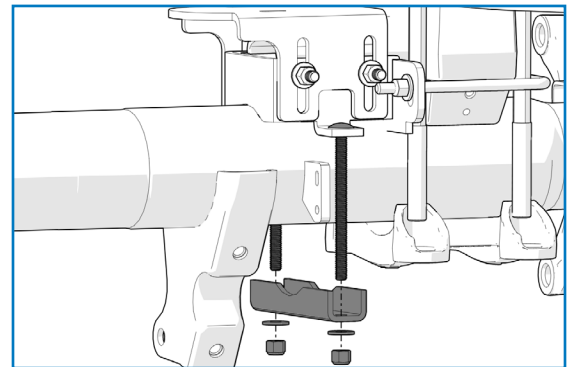
10

11 ATTACH AXLE STRAP

Insert a 3/8" – 16 x 5" carriage bolt into each of the square holes on the lower axle bracket.

Attach the axle strap to the carriage bolts (as shown in Figure 11) using two 3/8" flat washers and two 3/8" nylon lock nuts.

Do not fully tighten yet.

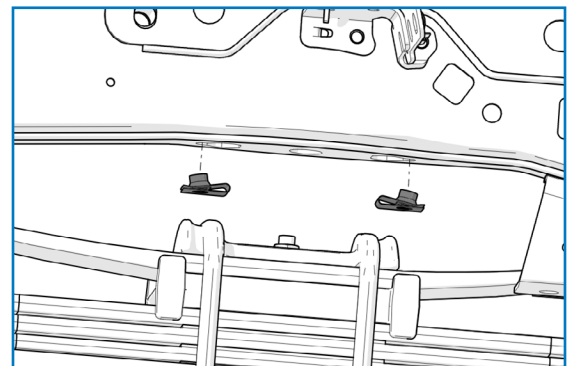


11

12 INSTALL CLIP-ON BARREL NUTS

Install the clip-on barrel nuts in the holes previously occupied by the jounce bumper hardware.

Orient the nuts (as shown in Figure 12) with the threaded portion towards the inside of the frame and the open ends of the clips facing away from each other.



12

13 INSTALL AIR SPRING ASSEMBLY

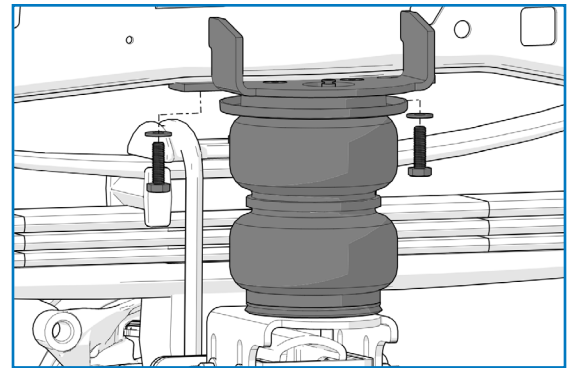
Note: It may be necessary to raise the frame of the truck a few inches to allow more clearance to install the air spring assemblies.

Set the air spring assembly in position (as shown in Figure 13).

Secure the upper bracket to the frame by threading the M10 x 1.5" x 35mm hex bolts and two 3/8" flat washers into the previously installed barrel nuts.

Ensure the upper bracket sits flat against the bottom of the frame with the two vertical flanges resting against the inner surface of the frame.

Torque the flange bolts to 38 ft-lbs (51.5 N•m)



13

14 ATTACH AIR SPRING AND SECURE LOWER BRACKET

Insert a roll plate between the air spring and the air spring bracket (as shown in Figure 14A).

Align the holes in the bracket, roll plate and air spring, and secure the assembly with two 3/8" – 24 x 7/8" hex bolts, two 3/8" flat washers and two 3/8" split lock washers as shown.

Do not fully tighten.

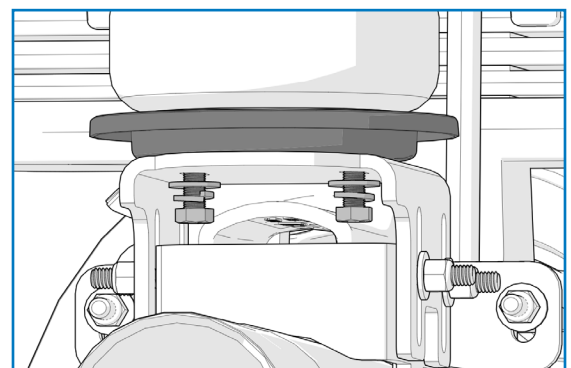
Tighten the two nylon lock nuts securing the U-Bolt to 20 ft-lbs (27 N•m).

Tighten the two nylon lock nuts on the axle strap to 20 ft-lbs (27 N•m).

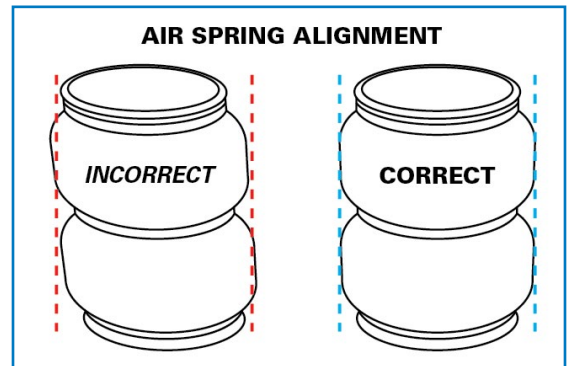
Lower the air spring bracket as much as possible while keeping the air spring bolts accessible for tightening.

Adjust the two bolts in the slotted holes to align the air spring as vertical as possible (see Figure 14B for reference)

Tighten the two hex head bolts to 20 ft-lbs (27 N•m).



14A



14B

15 SET AIR SPRING BRACKET HEIGHT

For vehicles **WITH** a lift block:

Lower the air spring bracket until it just touches the lift block (shown in Figure 15A).

Torque the four hex bolts to 38 ft-lbs (51.5 N•m) to lock this height.

For vehicles **WITHOUT** a lift block:

Lower the air spring bracket to the lowest possible position (shown in Figure 15B) that does not result in interference with other components.

Torque the four hex bolts to 38 ft-lbs (51.5 N•m).

16 INSTALL HEAT SHIELD

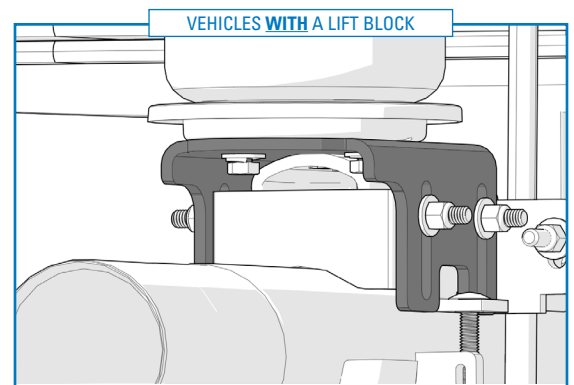
On the passenger side of the vehicle, the exhaust pipe bends around the axle near the air spring assembly.

Two heat shields are supplied to provide increased protection from the heat.

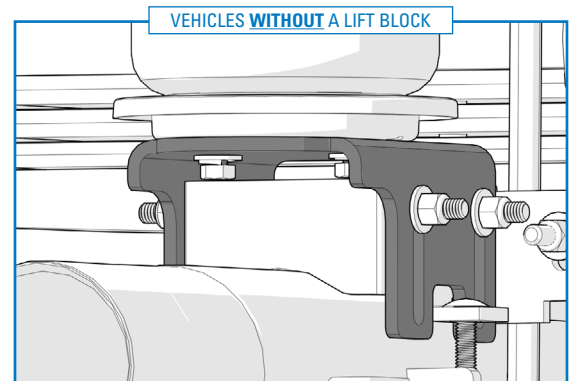
Bend tabs on the heat shields so the required $\frac{1}{2}$ " of dead space exists between the heat shield and exhaust when attached.

Attach the heat shields to the exhaust pipe using two ring clamps (as shown in Figure 16).

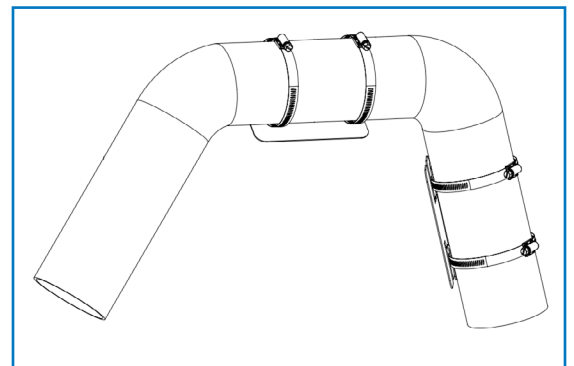
Each hose clamp holds a tab against exhaust pipe.



15A



15B



16

17 INSTALL AIR LINE

PLEASE NOTE: This kit contains push-to-connect fittings; using scissors or wire cutters to cut the nylon airline will distort the line and cause the connection to leak. THE AIRLINE MUST BE CUT OFF SQUARELY WITH THE NYLON HOSE CUTTER PROVIDED IN THIS KIT OR A SHARP UTILITY KNIFE

Provided in air spring kit are two fill valves. The most common place to install is in place of license plate fasteners. Alternatively, two 5/16" holes can be drilled in a convenient location.

Cut air line assembly into two equal lengths with hose cutter.

Install one air line, route the nylon air line to an air spring fitting and cut the hose. Moisten the end of the air line prior to inserting it into the fitting and push it in until it stops. Repeat with the other fill valve.

Secure airlines using the tie-straps, away from moving items and heat sources.

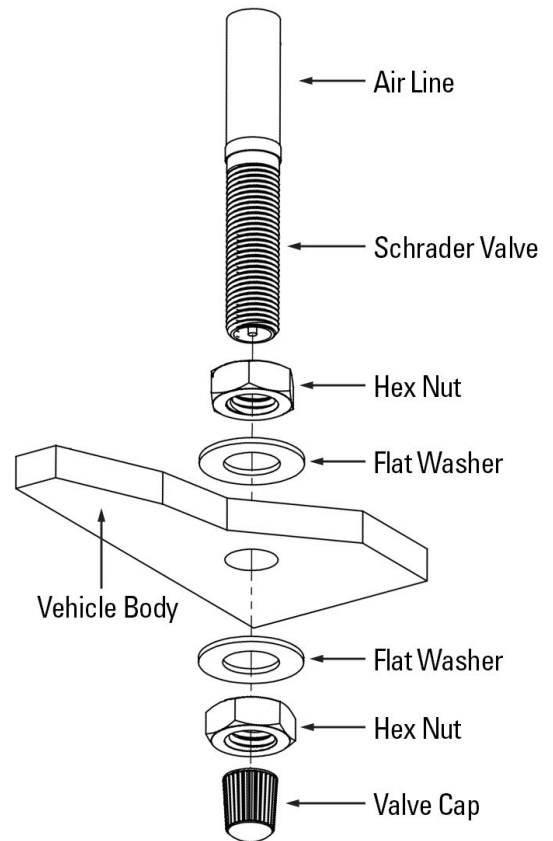
Place a 5/16" nut on the air valve. Leave enough of the inflation valve in front of the nut to extend through the hole, install a flat washer, and 5/16" nut and cap (reference Figure 17 for assembly). There should be enough valve exposed after installation—approximately 1/2"—to easily apply a pressure gauge or an air chuck.

If an in-cab inflation kit is being installed, follow the instructions provided with that kit now.

18 CHECK SYSTEM FOR LEAKS

Inflate both air springs to 90 psi and then use a mixture of dish soap and water on all air line connections to detect any air leaks. Large, expanding bubbles indicate a leak (as shown in Figure 18). Repair as necessary and retest.

Inflate air springs to a predetermined value and on following day recheck pressure. If one or both of air springs have lost pressure, an air leak is present. Leak must be repaired, and then retested until no leaks exist.



17



18

19 AFTER COMPLETING THE INSTALLATION

PLEASE REMEMBER:

Install wheels and torque fasteners to manufacturer's specifications.

Re-torque all fasteners after first 500 miles of driving.

For safe and proper operation, never operate the vehicle under minimum of 10 psi or over maximum of 100 psi in air springs. Staying within pressure limit will ensure maximum air spring life. Failure in doing so may result in a void warranty (see **Note** below).

NOTE: Do not exceed maximum vehicle payload. Failure to do so may result in failure of the air suspension kit and/or damage to your vehicle.

.....

Thank you again, and congratulations on the installation of the air suspension kit.

OPTIONAL ACCESSORIES

Optional dual needle air gauges are available to monitor pressure in each spring from vehicle cab, as well as a full line of air compressors, air tanks, and solenoids built to work with and control your air spring system.

OPERATING YOUR VEHICLE WITH AIR SUSPENSION

Air springs have minimum and maximum pressure requirements. Never operate your vehicle with less than 10 psi in air spring and never inflate air springs over 100 psi. Damage to air springs will result.

Check air pressure in air springs daily for first couple of days to ensure a leak has not developed. Air springs are designed to maintain the vehicles stock ride height with a load. Do not use the air springs as a means to lift vehicle with no load. This will result in a harsh ride.

SERVICING YOUR VEHICLE WITH AIR SUSPENSION

When lifting the vehicle with a floor jack or hoist on the frame, never allow the air spring to limit the travel of the axle. Try to always jack the vehicle on the axle. Suspending the axle with the air spring limiting the axle travel will damage the air spring and void the air spring warranty.

WARRANTY

To be eligible for warranty, the owner must submit their warranty card or register online within 30 days of the purchase date.

NOTE: The owner's warranty will be void if air springs are run with less than the minimum of 10 psi.

.....