

# Installation Manual



## 10345 KIT

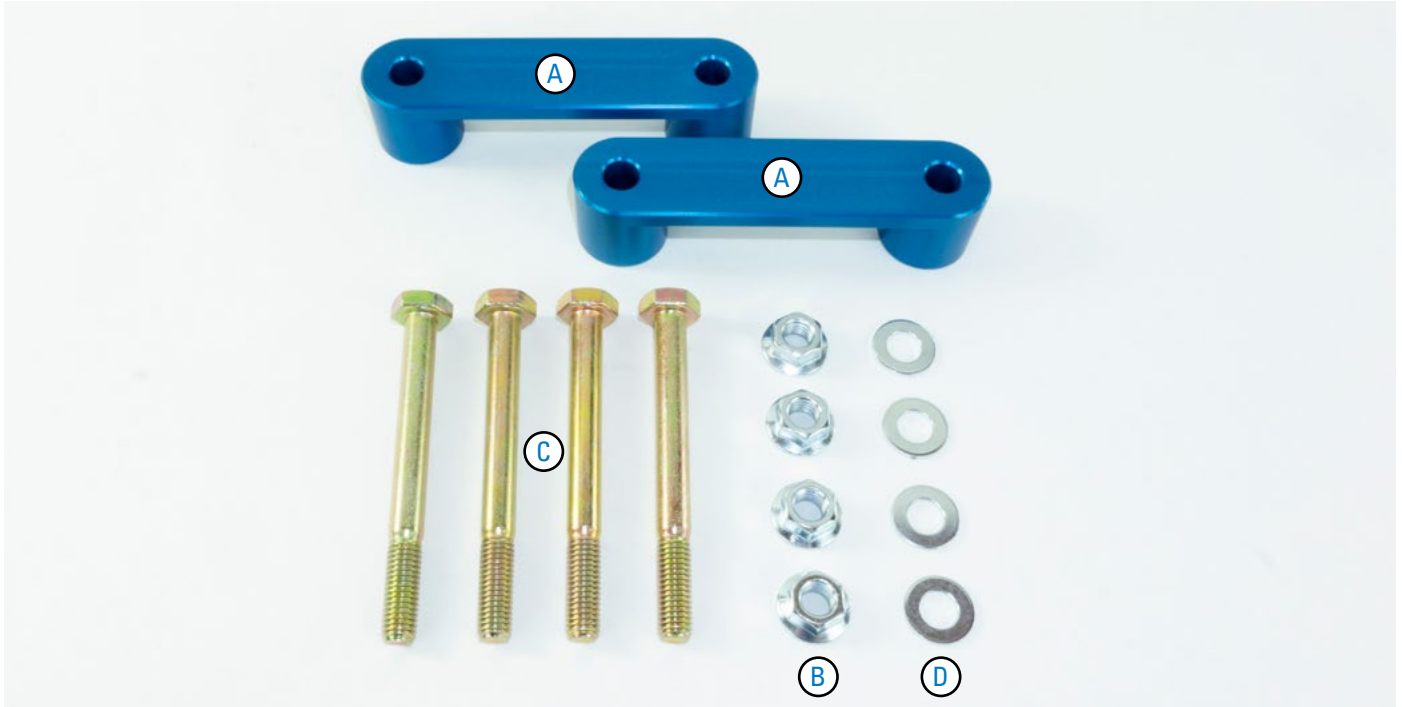
**2" Leveling Kit**

Chevrolet/GMC Sierra/Silverado 1500  
(2WD/4WD)\*

*Levels the stance of your vehicle by raising the front end a fixed amount, increasing both the ground and wheel well clearance for the installation of larger wheels.*

**Thank you and congratulations on the purchase of a leveling kit. Please read the entire manual prior to starting the installation to ensure you can complete it once started.**

**KIT LAYOUT**



**KIT CONTENTS**

*Please make sure all the items shown in the above kit layout are provided in your kit before starting the installation.*

KIT CONTENTS			QTY	PART #	REQUIRED TOOLS
<b>A</b>	Lower Strut Mount Spacer	2	HP1571	<ul style="list-style-type: none"> <li>• Hoist or Floor Jack</li> <li>• Safety Stands</li> <li>• Safety Glasses</li> <li>• Torque Wrench</li> <li>• Standard Combination Wrenches</li> <li>• 7/32" Hex Allen Wrench</li> <li>• 1-1/8" Wrench or Deep Socket</li> <li>• Metric &amp; Standard</li> <li>• Sockets Ratchet</li> </ul>	
<b>B</b>	M10 x 1.5 mm Flange Nut	4	HP1457		
<b>C</b>	M10 x 1.5 mm x 95 mm Bolt	4	HP1572		
<b>D</b>	M10 Flat Washer	4	HP1573		

**WARNING:** This product can expose you to the chemical Hexavalent Chromate, which is known to the State of California to cause cancer and birth defects or other reproductive harm. *For more information go to [www.P65Warnings.ca.gov](http://www.P65Warnings.ca.gov)*

## BEFORE STARTING THE INSTALLATION:

### *Safety Warning!*

Altering the suspension system of your vehicle may cause it to handle differently than it did from the factory. Larger wheel and tire combinations may increase the leverage on the suspension and steering components. This changes the way your vehicles handles and responds to abrupt maneuvers. Operate your vehicle at reduced speeds in all conditions to prevent loss of control. Failure to do so may result in serious injury. It is not recommend to combine the use of suspension lifts, body lifts, or other lifting methods.

### *Installation Warning!*

Use caution when disassembling and reassembling the vehicle. The proceeding instructions are guidelines only, the installer is responsible for ensuring that the vehicle is safe for use after performing the installation. It is recommended to use the factory service manual for the model/year of the vehicle when disassembling and assembling factory related components.

Suspension components that use rubber or urethane bushings should be tightened with the vehicle at normal ride height. This will prevent premature wear or failure of the bushing. Prevent the suspension components from overextension by supporting them with a jack.

**PLEASE NOTE:** Due to the suspension geometry and vehicle tolerances, the amount of lift is a base figure. **Spacer thickness does not equate to the amount of lift due to the suspension geometry.** For example: a 1" thick spacer may provide a 2" lift. Always measure the vehicle ride height at all 4 corners before and after installation to ensure the results are as expected.

## WHEEL ALIGNMENT AND HEADLIGHT ADJUSTMENT

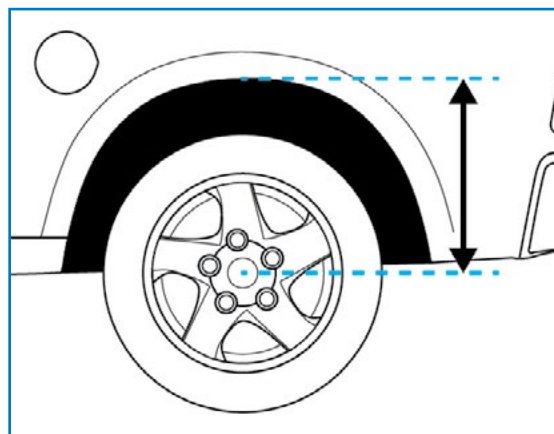
It is necessary to have a proper and professional wheel alignment performed by a certified alignment technician to align the vehicle to factory specifications. After the installation is complete, check to ensure that the vehicle's headlights are aimed properly. If not, a headlight alignment is required.

### 1 MEASURE STOCK RIDE HEIGHT

Park the vehicle on a level surface.

Using a measuring tape, measure the distance between the center of the wheel hub and the bottom of the fender well (as shown in Figure 1) this will give you your ride height.

Note the ride height for all four corners.



1

## 2 REMOVE FRONT WHEELS

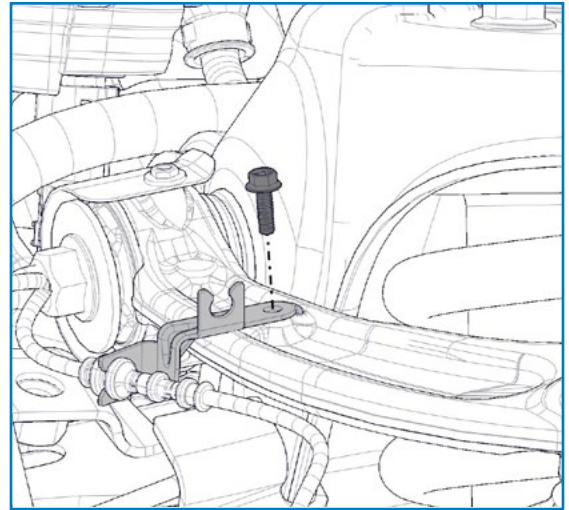
Place wheel chocks in front of and behind both rear wheels.

Raise front of the truck high enough to remove both wheels and attain a comfortable working height.

Place two jack stands under the vehicles frame.

Lower vehicle until the frame is supported by the jack stands.

Remove front wheels (21mm).



4

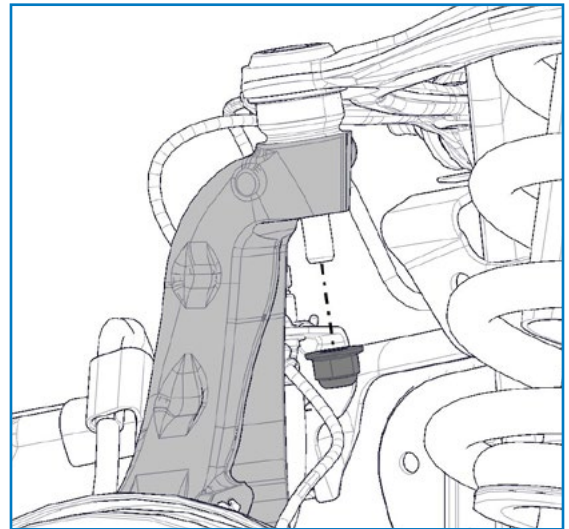
## 3 SUPPORT LOWER CONTROL ARM

Place floor jack under lower control arm, near ball joint.

Jack it up to slightly compress the suspension.

## 4 REMOVE ABS WIRE BRACKET

Remove bolt (8 mm) securing ABS wire bracket to upper control arm (as shown in Figure 4).



5

## 5 REMOVE UPPER BALL JOINT NUT

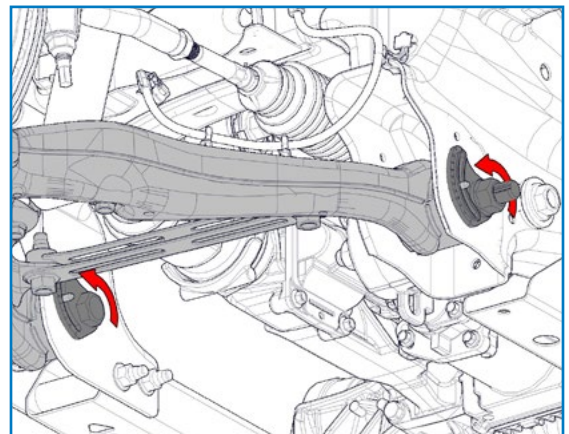
Use 6 mm hex key to stop ball joint spinning, remove upper ball joint nut (18 mm) (as shown in Figure 5). Strike upright to dislodge ball joint.

Once nut is removed, lower upright by lowering jack.

## 6 LOOSEN LOWER CONTROL ARM BOLTS

Mark both lower control arm bolts, to aid in aligning during reassembly in Step 14.

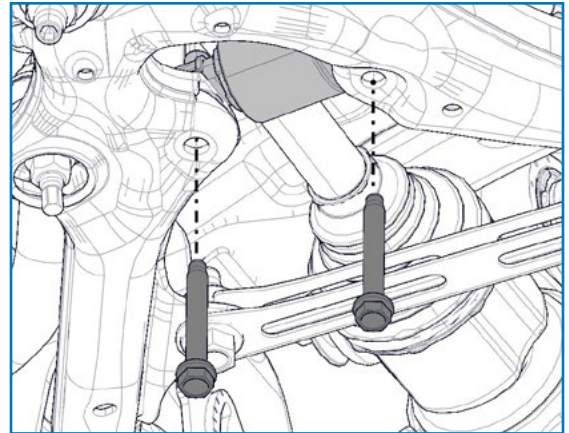
Loosen (2) lower control arm bolts (27 mm) 4-5 turns (use Figure 6 as reference) – do not remove.



6

**7 REMOVE LOWER STRUT MOUNT BOLTS**

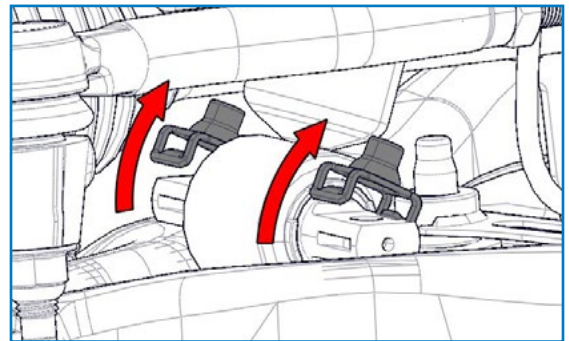
Remove (2) bolts (15 mm) securing lower control arm to lower strut mount cross pin (as shown in Figure 7). Discard bolts.



7

**8 REMOVE NUT CLIPS**

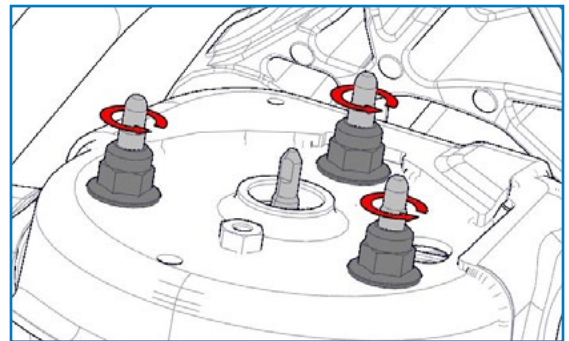
Remove (2) nut clips from lower strut mount cross pin (as shown in Figure 8). Discard nut clips.



8

**9 LOOSEN UPPER STRUT MOUNT NUTS**

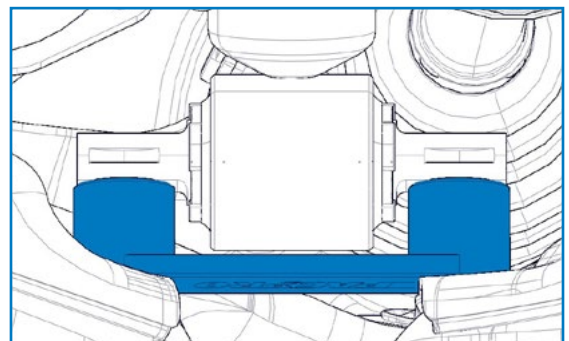
Loosen (3) upper strut mount nuts (18 mm) 4-5 turns (as shown in Figure 9) – do not remove.



9

**10 INSTALL BILLET STRUT SPACER**

Insert the billet strut spacer (A) between lower control arm and lower strut mount cross pin (as shown in Figure 10).



10

**11 INSTALL LOWER STRUT MOUNT BOLTS**

Shift upright and front axle towards rear of vehicle to insert bolts.

Install (2) supplied M10 bolts (C, 14 mm) with (2) M10 washers (D) through lower strut mount cross pin, spacer and lower control arm (as shown in Figure 11 on following page).

Install (2) supplied M10 nuts (B, 14 mm) onto bolts and tighten. Torque to 37 ft.-lbs. (50 N-m).

Bolt threads **MUST** point down (towards ground) as shown in image.

Torque (3) upper strut mount nuts (18 mm) to 37 ft.-lbs. (50 N-m).

**12 CONNECT UPPER BALL JOINT**

Insert upper ball joint into upright and thread on factory nut by hand (see Figure 12 on following page). First torque nut to 37 ft.-lbs. (50 N-m). Mark nut and rotate an additional 90-110 degrees.

**13 REATTACH BRAKE LINE**

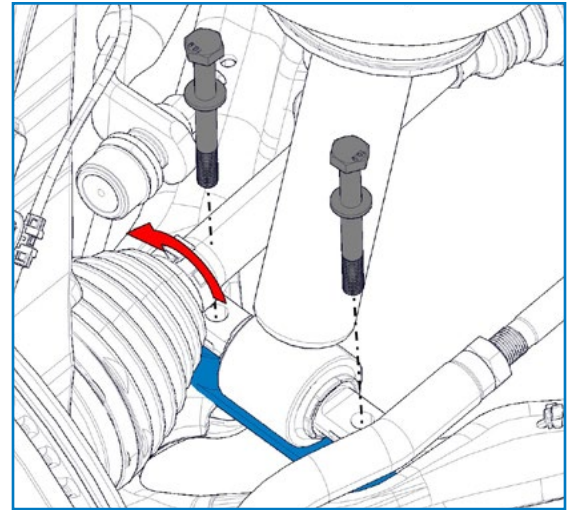
Reinstall bolt to secure brake line bracket to upper control arm.  
Torque to 80 in.-lbs. (9 N-m).

**14 LOWER CONTROL ARM BOLTS**

Align bolts with marks made in Step 6.

Tighten lower control arm bolts (see Figure 14) – do not torque.

**⚠ Suspension components that use rubber bushings should be tightened with the vehicle at normal ride height. This will prevent premature wear or failure of the bushing.**



11

**15 REPEAT FOR OPPOSITE SIDE**

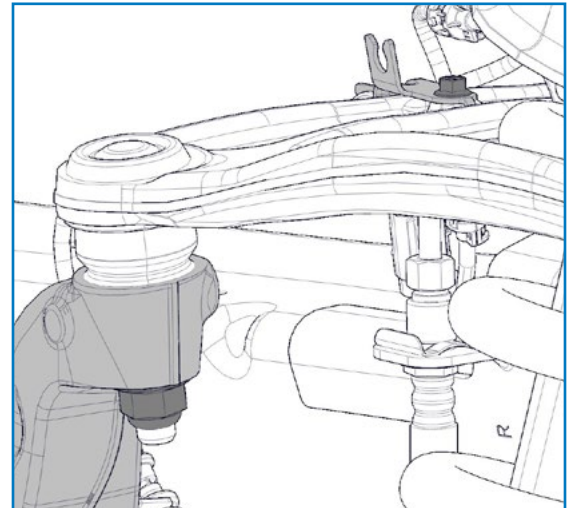
*Repeat steps 3 through 14 for opposite side.*

**16 REINSTALL WHEELS**

Install wheels and torque to factory specification.

Raise vehicle, remove jack stands from under frame and lower vehicle back to ground.

Roll vehicle forward and backwards, and bounce the vehicle up and down several times to stabilize suspension.



12

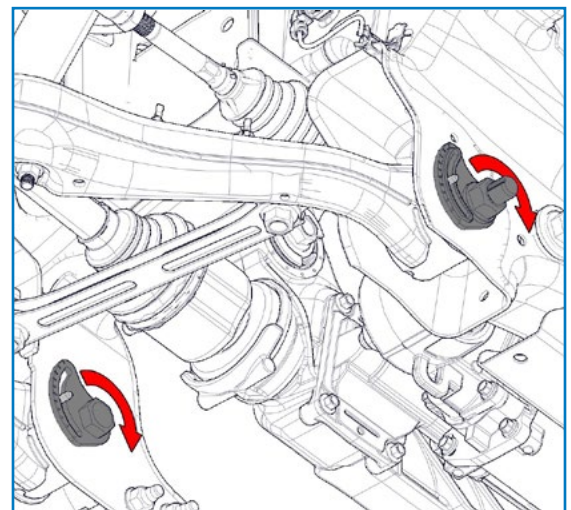
**17 FULLY TIGHTEN LOWER CONTROL ARM BOLTS**

With vehicle on ground, fasteners securing rubber bushings can be fully tightened to factory specifications.

Torque (2) lower control arm bolts on each side of vehicle to 129 ft.-lbs. (175 N-m).

**Congratulations!**

**You have completed the installation**



14

**POST INSTALLATION WARNING**

After the kit installation is complete and the vehicle is on the ground at its normal ride height, roll the vehicle backward and forward to settle the suspension. Tighten all components containing rubber bushings to the specified torque values. Verify adequate tire, wheel, brake line and ABS wire clearance by turning the front wheels completely to the left and then to the right. Ensure brake/ABS lines are not stretched when the suspension is at full droop. Test and inspect steering, brake and suspension components. Vehicle damage may result if the post installation checks are not performed.

**VEHICLE HANDLING WARNING**

Larger wheel and tire combinations may increase the leverage on the suspension and steering components. Increasing the height of your vehicle increases the likelihood of rollover or loss of control during abrupt manoeuvres, especially at high speeds. Operate your vehicle at reduced speeds in all conditions to prevent loss of control. Failure to do so may result in serious injury.

**WHEEL ALIGNMENT & HEADLIGHT ADJUSTMENT**

After the kit installation is complete, a professional wheel alignment must be performed by a certified alignment technician to re-align the vehicle to within factory specifications. Additionally, ensure that the vehicles headlights are aimed properly. If not, a headlight alignment is required as well. If not properly aligned it can cause increased tire and suspension component wear.

**VEHICLE RE-TORQUE & SAFETY INSPECTION**

After the kit installation and adjustments have been completed and within 50 miles of driving, perform a check over of all applicable fasteners and hardware to ensure they are adequately tightened to the specifications given (or as noted in the vehicle's factory service manual).

**WARRANTY**

To be eligible for warranty, the owner must submit their warranty card or register online within 30 days of the purchase date.

.....