



# OLD MAN EMU

## FITTING INSTRUCTIONS

# FK85

## Nissan Navara

### NP300 2015 on

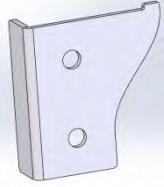
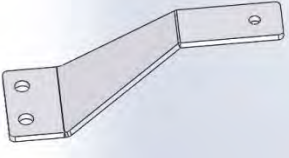
- Swaybar extension brackets
- Pot extension bracket

#### HAND TOOLS REQUIRED

Ring / Open end Spanner set (Metric)  
Torque Wrench

#### WORKSHOP TOOLS REQUIRED

### KIT CONTENTS

PART NO.	QTY	Description	Picture
3759713	2	Bracket Swaybar Extension	
6151355	2	Bolt M12 x 30mm	
4581011	4	Washer M12 Flat	
6151574	2	Nut Nyloc M12	
3759727	1	Bracket Pot Extension	
6151021	1	Bolt M8 x 20mm	
4581044	1	Washer M8 Flat	

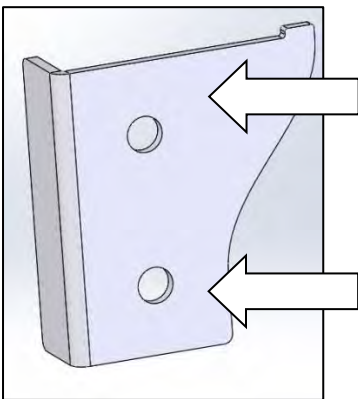
## Fitment Notes

- This kit must be fitted when fitting raised Old Man Emu suspension, it prevents inversion of rear sway bar and corrects front headlight alignment.

## Fitting Procedure

### SWAY BAR EXTENSION BRACKET

1. Disconnect Rear Sway bar link top mount only on both sides.
2. Install new sway bar extension brackets 3759713 using supplied M12 bolts, washers and nyloc nuts.



Use this hole to mount to original Chassis mount

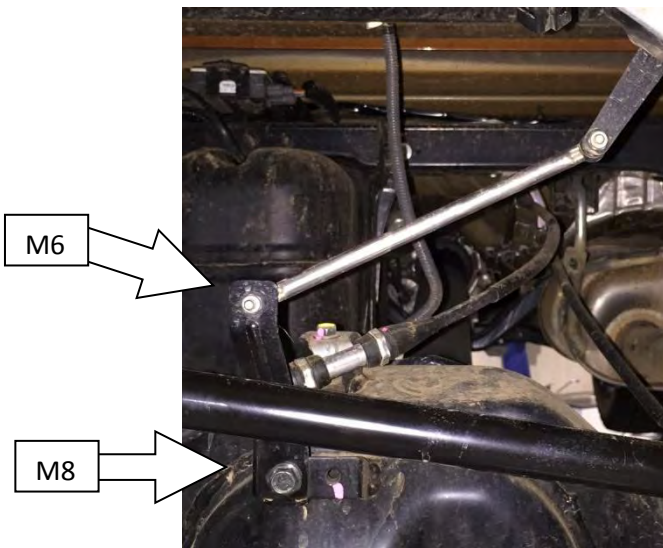
Use this hole to mount sway bar link.

3. Reconnect sway bar link to new bracket

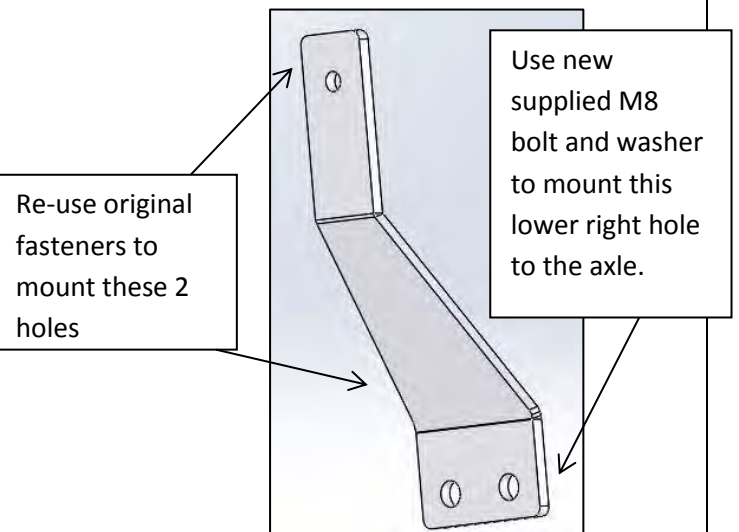


### POT EXTENSION BRACKET

1. Remove OE Pot bracket from on top of rear axle. The M6 bolt from the top of the bracket and the M8 bolt from the axle mount.



2. Install new pot extension bracket 3759727 re-using OE fasteners back to their original location and also new M8 bolt and flat washer in the right lower hole of the new bracket.



Re-use original fasteners to mount these 2 holes

Use new supplied M8 bolt and washer to mount this lower right hole to the axle.