

NISSAN GU PATROL: REAR SWAY BAR EXTENSION BRACKET KIT

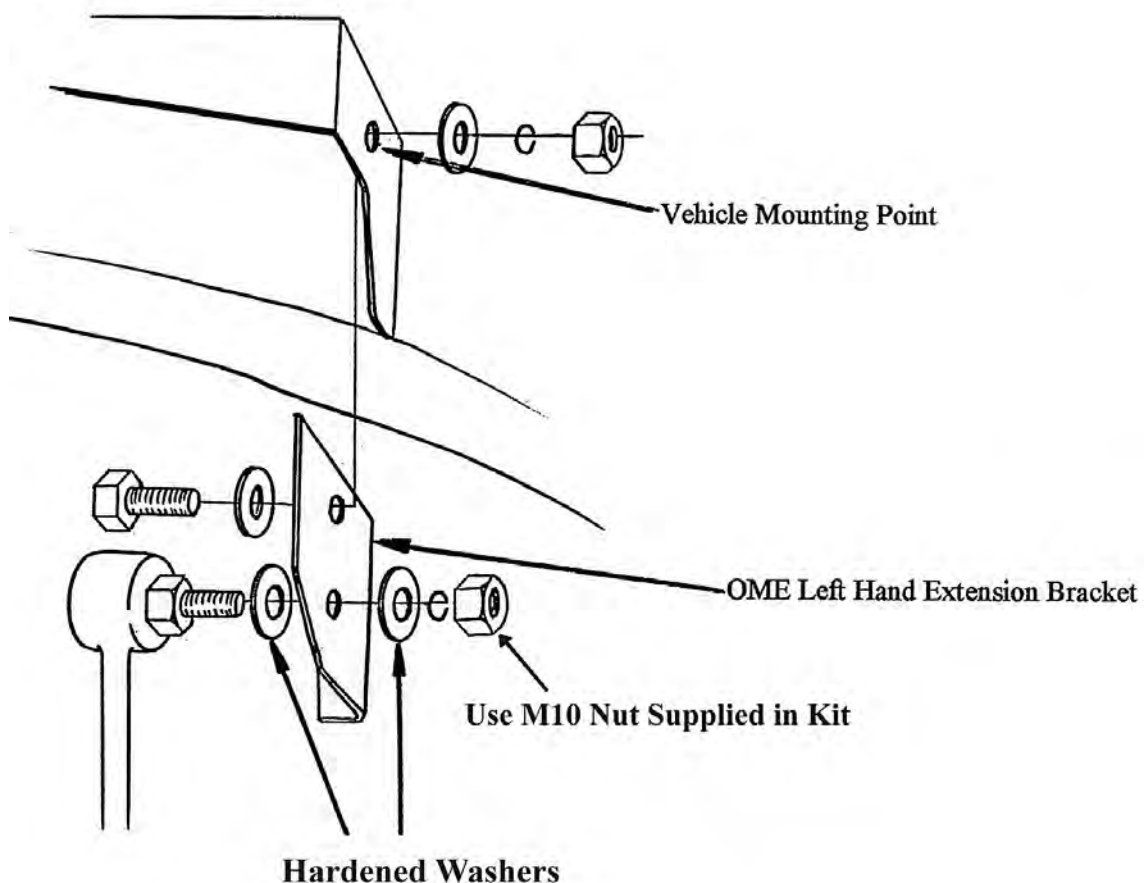
Part Number FK18

FITTING INSTRUCTIONS

PROCEDURE:

1. Unbolt both ends of the OE sway bar from the chassis mounting points.

Diagram No.1 Left Hand Side

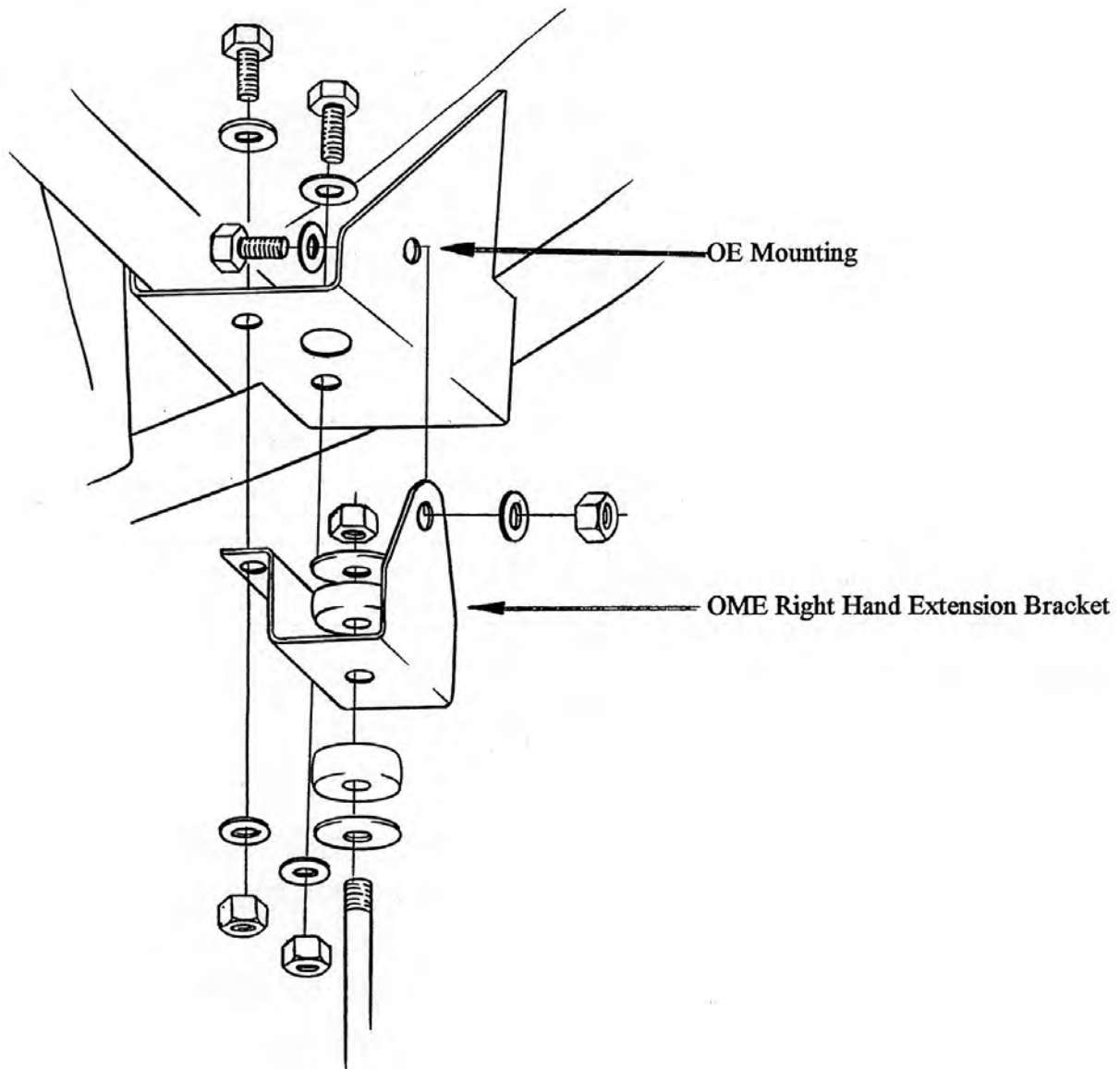


2. Place OME left hand extension bracket inside the vehicle mounting point using the 10mm bolt supplied and tighten securely.

APPLY THREAD LOCK TO ALL THREADS

Note: Right angle fold to chassis.

Diagram No.2 Right Hand Side



3. Place right hand OME extension bracket up against OE mount (as per Diagram No. 2) aligning the two holes that mount the sway bar extension arm and clamp in position. Using an 8mm bit, drill the three original mounting holes and securely bolt together using the 8mm bolts, nuts and washers supplied.
4. Refit the sway bar extension arms into the OME extension brackets and tighten correctly.