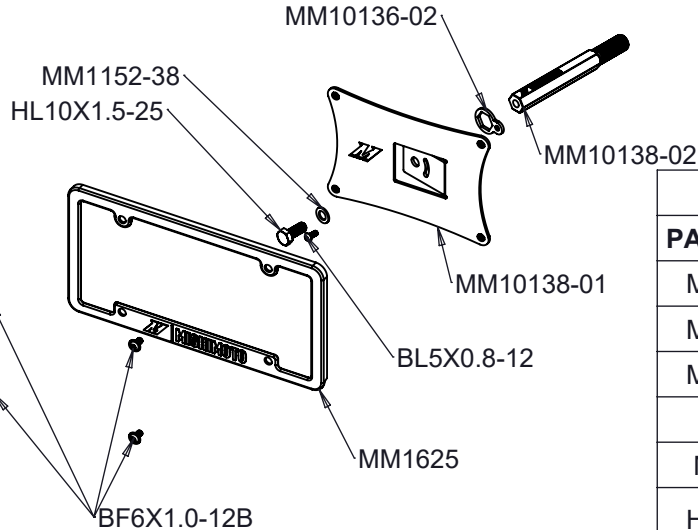


MISHIMOTO

INSTALLATION STEPS:

1. TO GAIN ACCESS TO THE FRONT TOW HOOK MOUNT; REMOVE THE TOW HOOK COVER BY PRESSING ON THE UPPER RIGHT CORNER. REMOVE THE COVER AND DISCONNECT THE WIRES. TUCK THE WIRES INSIDE THE BUMPER.
2. USING A 19MM WRENCH OR SOCKET, INSTALL MM10138-02 INTO THE TOW HOOK MOUNT
3. SLIDE MM10136-02 ONTO MM10138-02 IN ORIENTATION SHOWN
4. USING A 16MM WRENCH OR SOCKET, ATTACH MM10138-01 IN THE DESIRED ORIENTATION TO MM10138-02 WITH MM1152-38 & HL10X1.5-25
5. USING A 3MM ALLEN WRENCH, INSTALL BL5X0.8-12 THROUGH THE SLOT IN MM10138-01 INTO MM10136-02 AND TIGHTEN TO LOCK THE ROTATION OF MM10138-01
6. USING A 4MM ALLEN WRENCH, ATTACH YOUR LICENSE PLATE TO MM10138-01 WITH (4) BF6X1.0-12B



BILL OF MATERIALS

PART NUMBER	DESCRIPTION	QUANTITY
MM10138-02	SHAFT	1
MM10136-02	BRACKET 1	1
MM10138-01	BRACKET 2	1
MM1625	PLATE FRAME	1
MM1152-38	FLAT WASHER	1
HL10X1.5-25	M10 HEX HEAD LOCKING BOLT	1
BL5X0.8-12	M5 BUTTON HEAD LOCKING BOLT	1
BF6X1.0-12B	M6 BUTTON HEAD FLANGED BOLT	4

FOR QUESTIONS OR ASSISTANCE WITH YOUR MISHIMOTO PRODUCT, CONTACT US AT 1.877.GOMISHI OR SUPPORT@MISHIMOTO.COM