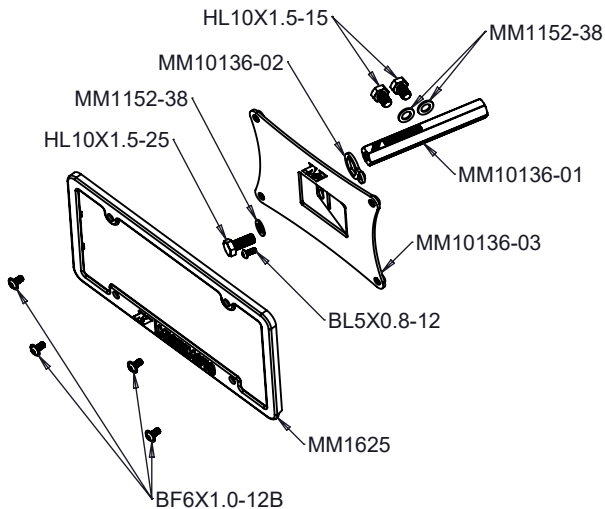


MISHIMOTO

INSTALLATION STEPS:

*IF INSTALLING ON A VEHICLE EQUIPPED WITH HONDA SENSING OR ACC (ADAPTIVE CRUISE CONTROL), THIS KIT MUST BE INSTALLED ON THE PASSENGER-SIDE OF THE VEHICLE.

1. USING A TRIM REMOVAL TOOL, REMOVE THE FOG LIGHT COVER STARTING AT THE UPPER OUTSIDE CORNER. REMOVE THE FASTENER THAT HOLDS THE LOWER CORNER OF THE FOG LIGHT COVER.
2. USING A 16MM WRENCH, INSTALL MM10136-01 INTO THE TOW HOOK MOUNT WITH (2) HL10X1.5-15 AND (2) MM1152-38. FOR TYPE-R MODELS, USE THE UPPER SET OF HOLES. ALL OTHER MODELS USE THE LOWER HOLES. NOTE: THE INNER PLASTIC BUMPER WILL NEED TO BE TRIMMED ON CERTAIN NON-SI OR TYPE R MODELS TO ACCESS THE TOWHOOK MOUNT FULLY.
3. SLIDE MM10136-02 ONTO MM10136-01.
4. FOR TYPE-R MODELS USE A DRILL AND A ROTARY TOOL TO CUT OUT THE HOLE SHOWN ON THE CTR DRILLING TEMPLATE. FOR ALL OTHER MODELS, USE THE SI DRILLING TEMPLATE. AFTER DRILLING, REINSTALL THE FOG LIGHT COVER.
5. USING A 3MM ALLEN WRENCH, INSTALL BL5X0.8-12 THROUGH THE SLOT IN MM10136-03 INTO MM10136-02 AND TIGHTEN TO LOCK THE ROTATION OF MM10136-03.
6. USING A 4MM ALLEN WRENCH, ATTACH YOUR LICENSE PLATE TO MM10136-03 WITH (4) BF6X1.0-12B.



BILL OF MATERIALS

PART NUMBER	DESCRIPTION	QUANTITY
MM10136-01	ROD	1
MM1152-38	FLAT WASHER	3
MM1625	PLATE FRAME	1
HL10X1.5-25	M10 HEX HEAD LOCKING BOLT	1
BL5X0.8-12	M5 BUTTON HEAD LOCKING BOLT	1
BF6X1.0-12B	M6 BUTTON HEAD FLANGED BOLT	4
MM10136-02	BRACKET 1	1
MM10136-03	BRACKET 2	1
HL10X1.5-15	M10 HEX HEAD LOCKING BOLT	2

FOR QUESTIONS OR ASSISTANCE WITH YOUR MISHIMOTO PRODUCT,
CONTACT US AT 1.877.GOMISHI OR SUPPORT@MISHIMOTO.COM