



INSTALLATION GUIDE

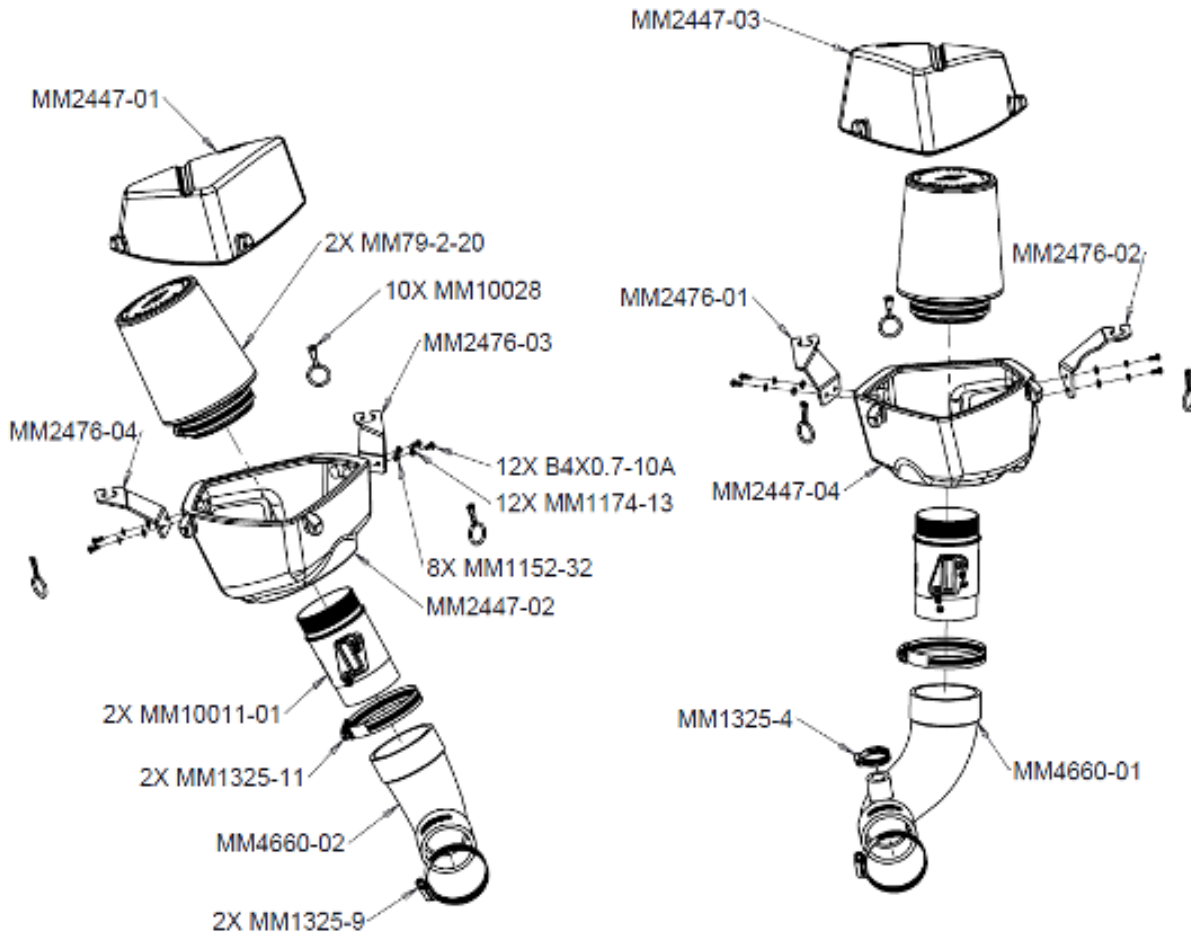
Modular Performance Air Intake, Fits 2023+ Nissan Z
SKU: MMAI-Z-23

TABLE OF CONTENTS

- Pg 1** RESOURCES AND CONTACT INFORMATION
- Pg 2** PARTS BREAKDOWN
EXPLODED VIEW
- Pg 3** IMPORTANT SAFETY INFORMATION
REQUIRED TOOLS
INSTALLATION INSTRUCTIONS
- Pg 7** DISPOSAL INSTRUCTIONS
WARRANTY INFORMATION

RESOURCES & CONTACT

-  **CALL 1-877-GOMISHI**
CUSTOMER SERVICE HOURS: MON-FRI 8:30AM-5:00PM EST
-  **MISHIMOTO**
-  **GOMISHIMOTO**
-  **MISHIMOTO**
-  **WEBSITE**
WWW.MISHIMOTO.COM
-  **ENGINEERING BLOG**
WWW.MISHIMOTO.COM/ENGINEERING



PARTS BREAKDOWN

PART NUMBER	DESCRIPTION	QTY
MM2447-01	DRIVER SIDE AIRBOX TOP	1
MM2447-02	DRIVER SIDE AIRBOX BOTTOM	1
MM2447-03	PASSENGER SIDE AIRBOX	1
MM2447-04	PASSENGER SIDE AIRBOX BOTTOM	1
MM2476-01	BRACKET 1	1
MM2476-02	BRACKET 2	1
MM2476-03	BRACKET 3	1
MM2476-04	BRACKET 4	1
MM4660-01	COUPLER 1	1
MM4660-02	COUPLER 2	1

PARTS BREAKDOWN

PART NUMBER	DESCRIPTION	QTY
MM10011-01	MAF HOUSING	2
MM1152-32	M4 FLAT WASHER	8
MM1174-13	LOCK WASHER	12
B4x0.7-10A	M4X10MM BUTTON HEAD BOLT	12
MM79-2-20	AIR FILTER	2
MM10028	-RING FASTENER	10
MM1325-9	50-70MM WORM GEAR CLAMP	2
MM1325-11	70-90MM WORM GEAR CLAMP	2
MM1325-4	20-32MM WORM GEAR CLAMP	1

Continued on next page

IMPORTANT SAFETY INFORMATION

- › Mishimoto recommends you use safety glasses and protective gloves during the installation of our products
- › Raise vehicle only on jack stands or on a vehicle lift
- › Allow vehicle to cool completely prior to attempting installation
- › Do not run the engine or drive the vehicle while overheating; serious damage can occur
- › Please dispose of any liquids properly
- › Mishimoto is not responsible for any vehicle damage or personal injury due to installation errors, misuse, or removal of Mishimoto products
- › If you need any assistance while installing our products, reach out to our Customer Service Team at 1-877-GOMISHI

REQUIRED TOOLS

SMALL PICK TOOL	1/4" EXTENSION
2X LARGE PICK TOOLS	7MM SOCKET
2.5MM ALLEN WRENCH	8MM SOCKET
1/4" RATCHET	10MM SOCKET

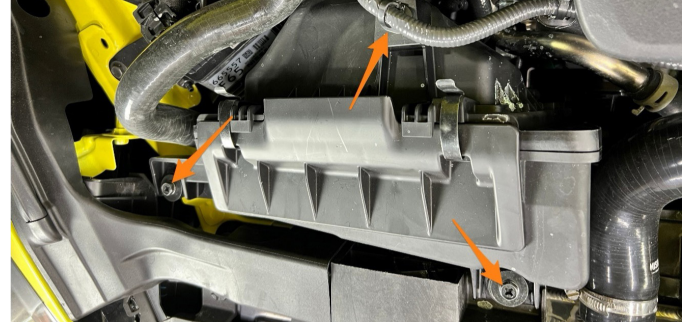
INSTALL TIME: 2 HOURS

INSTALL DIFFICULTY:

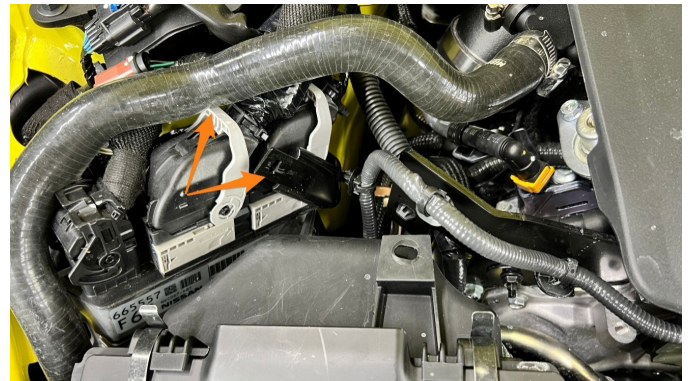
INSTALLATION INSTRUCTIONS

***Note:** To avoid potential injury, wait for the engine to cool off before beginning installation.

1. Using a small pick tool, remove the MAF sensor wire clip from the back of the passenger side air box then, use a 10mm socket to remove the 2 airbox bolts. Save these bolts they will be reused. (Image on top right)



2. This coolant hose can be unclipped and tucked out of the way for better access to the quick connect fitting in the next step.



3. Insert a large pick tool on both sides of the quick connect lock wire to release then, pull the stock air box out.



4. Unplug the MAF sensor connector from the air box. (Image on next page)

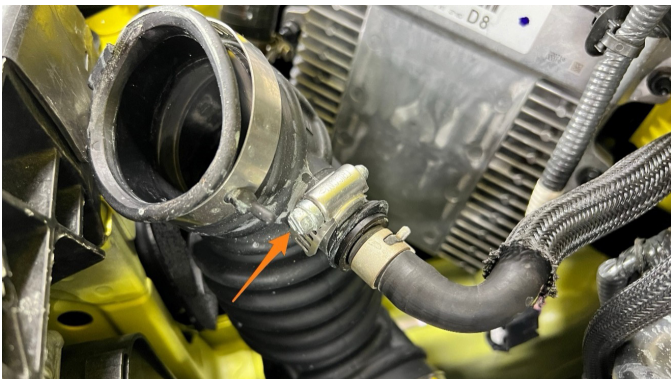
Continued on next page



5. Using an 8mm socket, loosen the hose clamp on the intake hose. Repeat steps 1-5 for the driver side.



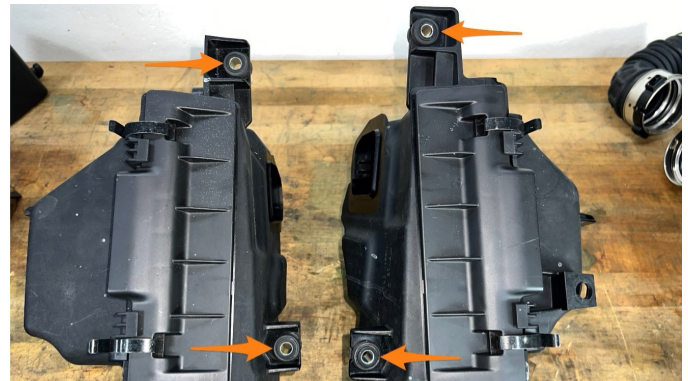
6. Using an 8mm socket, loosen the hose clamp on the CCV hose fitting then remove the fitting from the passenger side hose. Both intake hoses can be removed from the vehicle now.



7. Using a 7mm socket, remove the 2 MAF sensor screws from each airbox then pull the 2 sensors out. Save the screws and sensors, they will be reused. (Image on top right)



8. Remove the 4 rubber grommets from the stock air boxes by pushing the metal sleeve through and then rolling the rubber piece out.

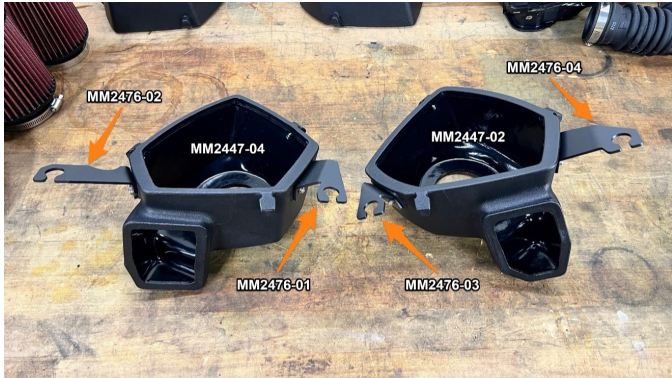


9. Using the saved hardware from the previous step, install the MAF sensors into the provided MAF housings.



Continued on next page

10. Using the provided M4 screws and washers, install the brackets to the airbox bottoms as shown. Use a 2.5mm allen wrench to tighten. Install the 4 rubber grommets removed in step 9 into the brackets.



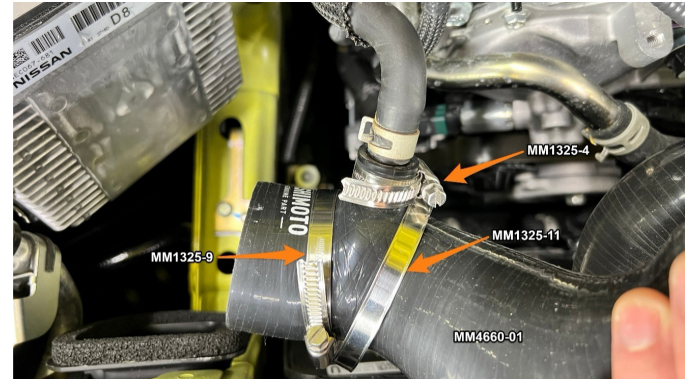
11. Insert the assembled MAF housings into the bottom of the airboxes and push a filter onto each of the MAF housings from the top side.



12. Using an 8mm socket, tighten the filter hose clamps. They can be accessed through the inlet ducts of the airboxes.



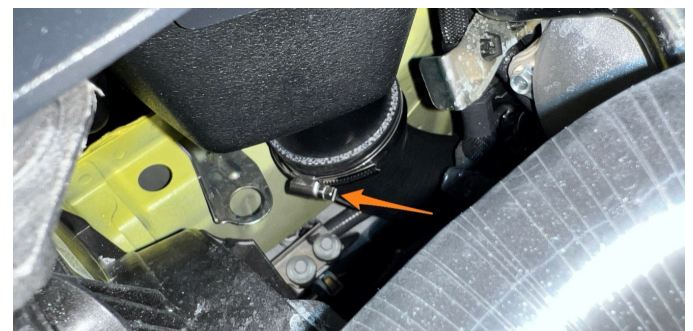
13. Install a 20-32mm worm gear clamp over the small port of coupler 1 then reinstall the CCV fitting into the coupler. Use a 7mm socket to tighten the clamp. Slide a 50-70mm worm gear clamp over the small end of the coupler and a 70-90mm over the large end.



14. Install coupler 1 onto the turbo and use a 7mm socket to tighten the clamp on the turbo side.

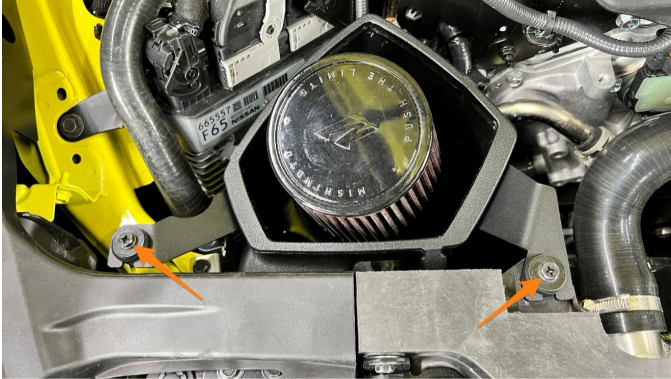


15. Plug the connector back into the MAF sensor on the passenger side airbox assembly and install it into the vehicle. Be sure the coupler is fully seated onto the MAF housing flange and then tighten the hose clamp with a 7mm socket.



Continued on next page

16. Using the stock airbox bolts, secure the Mishimoto intake to the vehicle.



17. Install the passenger side airbox top using the provided O-ring fasteners. Holding the tab, slip the bottom of the O-ring over the lower hook and pull it up over the upper hook. Repeat steps 14-18 for the driver side minus the CCV hose since that side does not have one.



18. Reinstall hose and clip from step 5 if moved out of the way.

Note: The airbox lids can be left off if more intake sound is desired. This may cause a reduction in power due to the induction of hot under hood air.

Congratulations you have completed the installation!

Continued on next page

DISPOSAL INSTRUCTIONS

- › Do not dispose of any product as unsorted municipal waste. Use separate collection facilities. Contact your local authority for information regarding the collection systems available.
- › Never improperly dispose of any coolant, oil, or other chemicals.

WARRANTY INFORMATION



- › All claims must be accompanied with a picture of the Mishimoto product showing the issue for which the claim is being submitted.
- › Mishimoto asks that the customer inspect their purchased item for any damage immediately upon arrival.
- › Any product deemed dead on arrival (DOA) must be claimed within 14 business days of delivery. Claims outside of this time frame will not be covered under the Mishimoto Lifetime Warranty.
- › This warranty does not include payment and/or reimbursement of the cost of labor in connection with the removal of any product returned pursuant to the warranty policy or in connection with the installation of any replacement items provided under the warranty policy.
- › Mishimoto has the right to refuse a claim at any time.

- › When Mishimoto accepts a claim, Mishimoto retains full discretion to choose if it will: (i) repair or replace purchaser's original Mishimoto product; (ii) replace purchaser's original Mishimoto product with the most current available model; or (iii) provide the purchaser with a gift card redeemable on [Mishimoto.com](https://www.mishimoto.com) in the amount of the original purchase price of the original Mishimoto product. The provision of a replacement of a Mishimoto product is subject to availability and Mishimoto retains the right to substitute any warranty claim item with a comparable item or credit at any time.
- › If Mishimoto determines that it will provide a replacement item in connection with a claim under this warranty policy, and such item is out of stock, Mishimoto will place the customer on backorder and ship the replacement product to the purchaser once it becomes available.
- › Mishimoto is not liable for incorrect shipments in connection with a claim if a claim form is completed incorrectly, or if a model number is not included in a claim.
- › If you have a vehicle equipped with an automatic transmission, please make sure to specify this within the text box on the claim form. Mishimoto is not responsible for incorrect replacement shipments if transmission type is not indicated.



WARNING
Cancer and
Reproductive Harm
www.P65Warnings.ca.gov

This product can expose you to chemicals which are known to the state of California to cause cancer. For more information visit: www.p65warnings.ca.gov