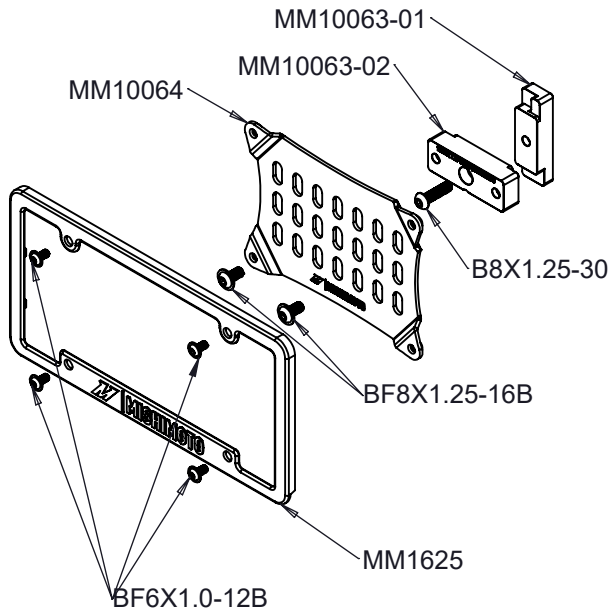


MISHIMOTO



INSTALLATION STEPS:

1. USING A TRIM REMOVAL TOOL, REMOVE THE TOW HOOK COVER FROM THE FRONT BUMPER AND DETACH IT FROM THE VEHICLE.
2. INSTALL MM10063-01 INTO THE OPENING IN THE ORIENTATION SHOWN HERE.
3. ATTACH MM10063-02, WITH THE NOTCH ON THE BOTTOM, TO MM10063-01 WITH B8X1.25-30. TIGHTEN THE BOLT TO 88.5IN/LBS (10NM).
4. ATTACH MM10064 IN THE DESIRED ORIENTATION TO MM10063-02 WITH (2) BF8X1.2-16B.
5. ATTACH YOUR LICENSE PLATE AND THE PLATE FRAME TO MM10064 WITH (4) BF6X1.0-12B.

BILL OF MATERIALS

PART NUMBER	DESCRIPTION	QUANTITY
MM10063-01	INNER PART	1
MM10063-02	OUTER PART	1
MM10064	LP BRACKET	1
MM1625	PLATE FRAME	1
B8X1.25-30	M8 BUTTON HEAD BOLT	1
BF8X1.25-16B	M8 BUTTON HEAD FLANGED BOLT	2
BF6X1.0-12B	M6 BUTTON HEAD FLANGED BOLT	4

FOR QUESTIONS OR ASSISTANCE WITH YOUR MISHIMOTO PRODUCT,
CONTACT US AT 1.877.GOMISHI OR SUPPORT@MISHIMOTO.COM