






# INSTALLATION GUIDE

Direct-Fit Bronco Ditch Light Pair (2), Fits 2021+ Ford Bronco  
SKU: BNLT-BR-21-DT2

## TABLE OF CONTENTS

1. RESOURCES & CONTACT INFO
2. EXPLODED VIEW
3. IMPORTANT SAFETY INFORMATION  
INSTALL TIME & DIFFICULTY  
REQUIRED TOOLS  
INSTALLATION INSTRUCTIONS
10. INSTALLATION INSTRUCTIONS  
DISPOSAL INSTRUCTIONS & WARNING

## RESOURCES & CONTACT

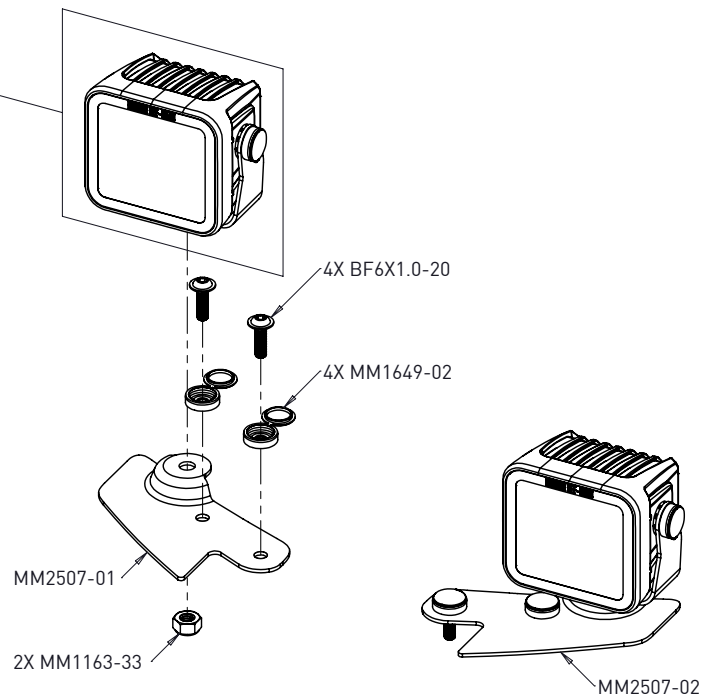
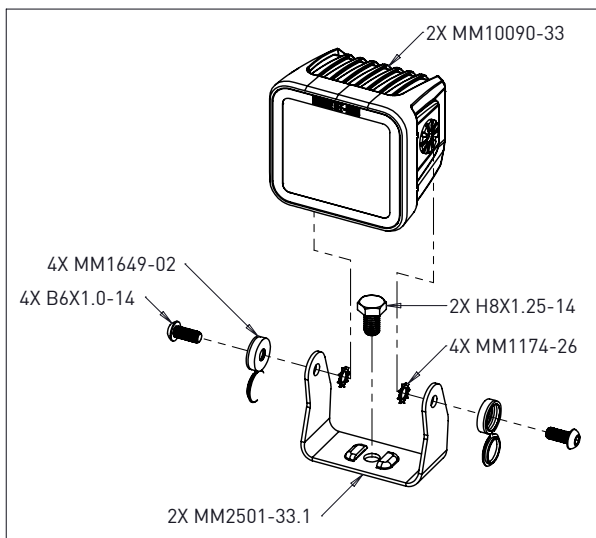
-  **CALL 1.877.466.4744**  
CUSTOMER SERVICE HOURS: MON-FRI 8:30AM-5:00PM EST
-  **@BORNEOFFROAD**
-  **@BORNEOFF-ROAD**
-  **BORNEOFFROAD**
-  **@BORNEOFFROAD**
-  **ENGINEERING BLOG**  
[WWW.BORNE.COM/ENGINEERING](http://WWW.BORNE.COM/ENGINEERING)

### PARTS BREAKDOWN

PART NUMBER	DESCRIPTION	QTY
MM10090-33	POD LIGHT	2
MM2501-33.1	LIGHT BRACKET	2
MM2507-01	BRACKET 1	1
MM2507-02	BRACKET 2	1
B6X1.0-14	M6 BUTTON HEAD BOLT	4

### PARTS BREAKDOWN

PART NUMBER	DESCRIPTION	QTY
BF6X1.0-20	M6 BUTTON HEAD FLANGE BOLT	4
MM1174-26	M6 LOCK WASHER	4
MM1649-02	M6 FASTENER CAP	8
H8X1.25-14	M8 HEX HEAD BOLT	2
MM1163-33	M8 LOCK NUT	2
MM10083	WIRE HARNESS (NOT SHOWN)	1



FOR QUESTIONS OR ASSISTANCE WITH YOUR MISHIMOTO PRODUCT,  
CONTACT US AT 1.877.GOMISHI OR SUPPORT@MISHIMOTO.COM

Continued on next page

### IMPORTANT SAFETY INFORMATION

- ▶ Borne Off-Road recommends you use safety glasses and protective gloves during the installation of our products
- ▶ Raise vehicle only on jack stands or on a vehicle lift
- ▶ Allow vehicle to cool completely prior to attempting installation
- ▶ Do not run the engine or drive the vehicle while overheating; serious damage can occur
- ▶ Please dispose of any liquids properly
- ▶ Borne Off-Road is not responsible for any vehicle damage or personal injury due to installation errors, misuse, or removal of Borne Off-Road products
- ▶ If you need any assistance while installing our products, reach out to our Customer Service Team at 1-877-GOMISHI

### REQUIRED TOOLS

- |                    |  |
|--------------------|--|
| 4MM HEX WRENCH     | NON-MARRING PRY TOOL                       |
| T25 TORX BIT       | 8MM SOCKET                                 |
| T30 TORX BIT       | WIRE STRIPPERS                             |
| RATCHET            | DEUTSCH CLOSED BARREL                      |
| 13MM SOCKET        | TERMINAL CRIMP TOOL (FOR SIZE 16 TERMINAL) |
| 15MM SOCKET        |  |
| NEEDLE NOSE PLIERS |  |

### INSTALL TIME: 4 HOURS

### INSTALL DIFFICULTY:

### NOTE:

If installing the upfitter harness. Skip steps 14-16 & 22-28.

### INSTALLATION INSTRUCTIONS

1. Assemble the pod lights and mounting brackets. Each pod light requires two shorter M6 button head bolts, two serrated washers, two bolt caps, and one M8 hex bolt.



2. Insert the M8 hex bolt into the light bracket before you bolt the bracket to the pod light. Place the serrated washers between the pod light and the bracket.



Continued on next page



**3.** Bolt the pod light brackets to the ditch light brackets using the supplied M8 nylon lock nuts.



**4.** Mark the location of the wiper blades on the windshield. Remove the rubber fastener caps and the wiper nuts. Then, remove the windshield wiper arms. You may need to wiggle the wiper arms to free them from their mounting studs.



**5.** Remove the antenna and the four M6 cowl cover bolts.



Continued on next page



**6.** Using a non-marring pry tool, gently pry up both ends of the cowl cover. Pull upwards to disengage all the clips. Be careful not to pull up too far, as this could damage the windshield washer fluid hose on the underside of the cowl cover.



**7.** Flip the cowl cover over, disengage the windshield washer fluid hose from the two clips, and disconnect the hose. Remove the cowl cover.



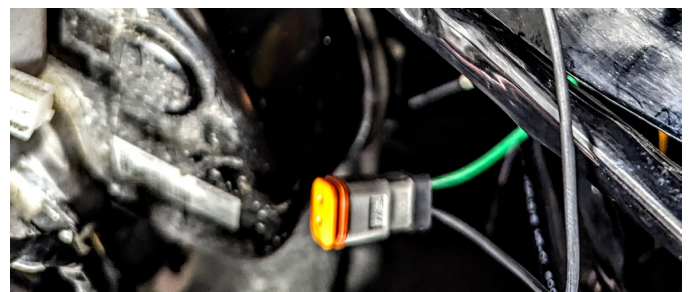
**8.** Locate the factory wiring harness on the driver's side firewall. Trim the heat shrink off the end of the green wire with the brown stripe.



**9.** Strip off approximately one-quarter inch of insulation. Insert the wire into the female closed barrel terminal included in the kit. Ensure all the wire strands are inserted into the terminal before crimping.



**10.** Insert the terminal into the empty side of the male Deutsch connector. Push the terminal in until you hear a click. Give the terminal a gentle tug to ensure it is locked in. Then, insert the orange wedge lock into the front of the Deutsch connector.



Continued on next page



**11.** Remove the bolt from the vehicle's ground terminal. Insert the bolt into the ring terminal from the Deutsch connector, and then reinstall the bolt.



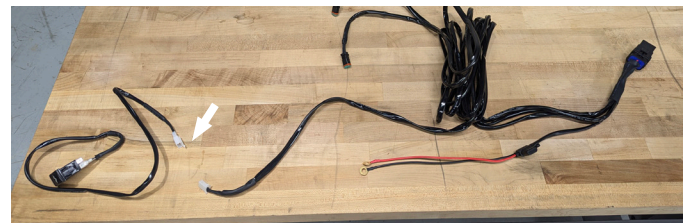
**12.** Locate the female Deutsch connector on the upfitter harness and plug it into the male connector.



**13.** Route the upfitter harness near the driver-side hood hinge and into the cowl. Ensure the harness does not get pinched when the hood is closed.



**14.** Unravel the wiring harness and locate the switch connector. Disconnect the switch harness from the wiring harness and place it off to the side for a later step.



Continued on next page



- 15.** Mount the relay near the battery or fuse box.  
(Optional relay mounting bracket shown)



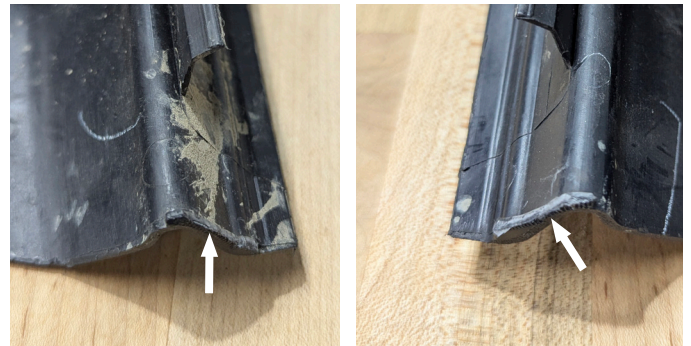
- 16.** Route the pod light harnesses near the driver-side hood hinge and into the cowl. Ensure the harnesses do not get pinched when the hood is closed.



- 17.** Route one of the pod light harnesses along the windshield's base over to the cowl's passenger side. Plug in the passenger side pod light. Route the other pod light harness to the driver's side of the cowl. Plug in the driver's side pod light. Tuck any excess wiring into the pocket on the driver's side of the cowl.



- 18.** Trim the corners off the cowl cover to give the pod light wires clearance.



- 19.** Move the pod lights to the side to reinstall the cowl cover. Route the pod light wires out near the corners of the windshield. The pod light connectors should remain inside the cowl. Reinstall the cowl and antenna. (Images on next page)

Continued on next page



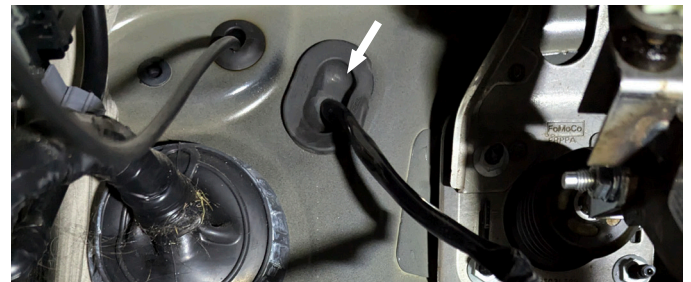


**20.** Mount the ditch light brackets using the longer M6 button-head bolts and bolt caps supplied. Tuck any excess wiring into the cowl.



**21.** Reinstall the windshield wipers.

**22.** Route the switch harness through the driver's side of the firewall into the cab, preferably through a grommet.

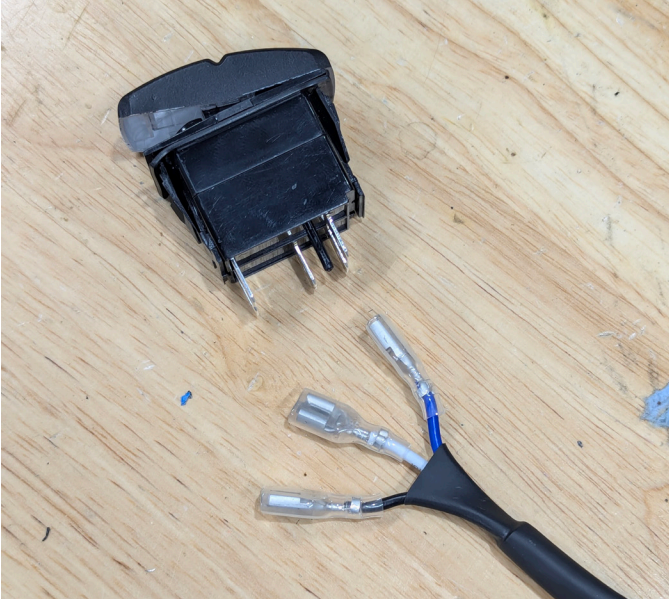


**23.** Press the locking tabs and disconnect the spade terminals from the back of the light switch. (Second image on next page)



Continued on next page





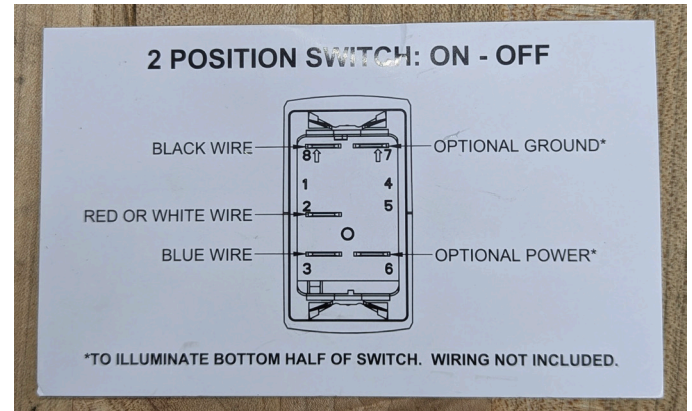
**24.** Reconnect the switch harness to the main harness.



**25.** Find a suitable location for the light switch. Route the switch harness to the switch location. Pass the spade terminals out of the hole for the switch. (Optional switch panel shown)

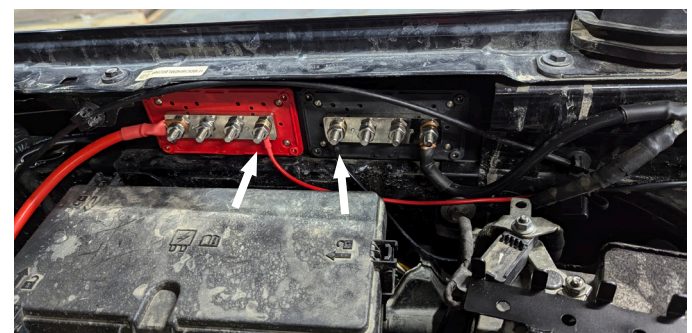


**26.** Connect the spade terminals to the switch using the included diagram. Then, press the switch into the hole until it locks in.



**27.** Ensure all wiring is secured and clear of the pedals.

**28.** Connect the harness power cables to a suitable 12v source. (Optional power distribution blocks shown)



Continued on next page

29. Turn on the pod lights and adjust them to your preference.

## DISPOSAL INSTRUCTIONS

- › Do not dispose of any product as unsorted municipal waste. Use separate collection facilities. Contact your local authority for information regarding the collection systems available.
- › Never improperly dispose of any coolant, oil, or other chemicals



### **WARNING**

Cancer and  
Reproductive Harm  
[www.P65Warnings.ca.gov](http://www.P65Warnings.ca.gov)

- › This product can expose you to chemicals which are known to the state of California to cause cancer. For more information visit:  
[www.p65warnings.ca.gov](http://www.p65warnings.ca.gov)