

## Dodge/Mercedes/Freightliner Accessory and NAV Outputs 2007-UP



### INTERFACE FEATURES

- Provides accessory (12-volt 10-amp)
- Retains R.A.P. (Retained Accessory Power)
- Provides wires for multimedia radios (park, brake, reverse, speed sense)
- Prewired AXSWC harness included+ (AXSWC sold separately)
- High level speaker input
- USB updatable

### INTERFACE COMPONENTS

- AXDI-SP1 interface
- LD-AX-XSVI-SP1 harness
- LD-AX-XSVI-SP2 harness

### APPLICATIONS

	Mercedes	Freightliner
<b>Dodge</b>		
Sprinter	Sprinter (Sound 5 radio) .....2010-2013	Sprinter .....2007
Sprinter (Sound 5 radio)	.....2008-2009	Sprinter (Sound 5 radio) .....2008-UP

### TABLE OF CONTENTS

Connections.....	2-3
LD-AXVI-SP1 DIAGRAM.....	2
LD-AXVI-SP2 DIAGRAM.....	3
Installation.....	4
Programming.....	4

### TOOLS & INSTALLATION ACCESSORIES REQUIRED

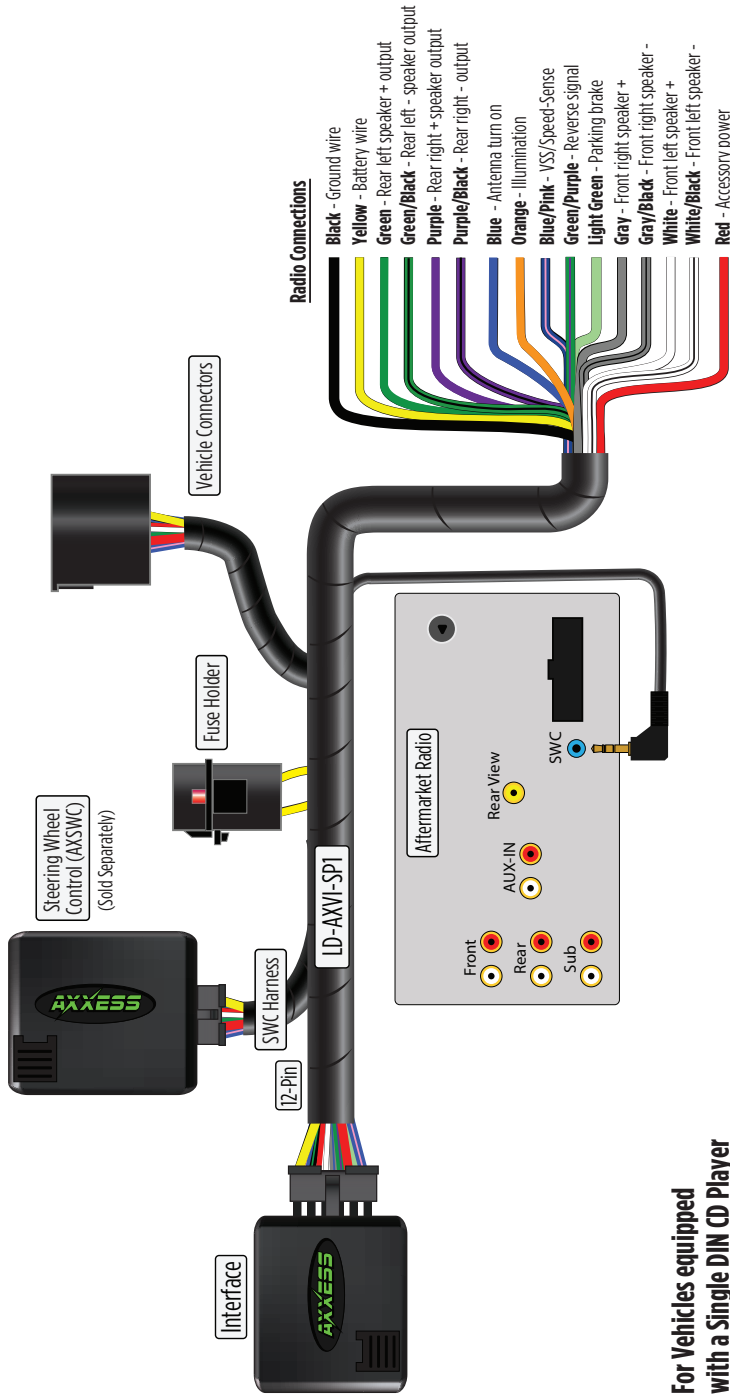
- Crimping tool and connectors, or solder gun, solder, and heat shrink
- Tape
- Wire cutter
- Zip ties

Visit [AxessInterfaces.com](http://AxessInterfaces.com)

for more detailed information about the product and up-to-date vehicle specific applications

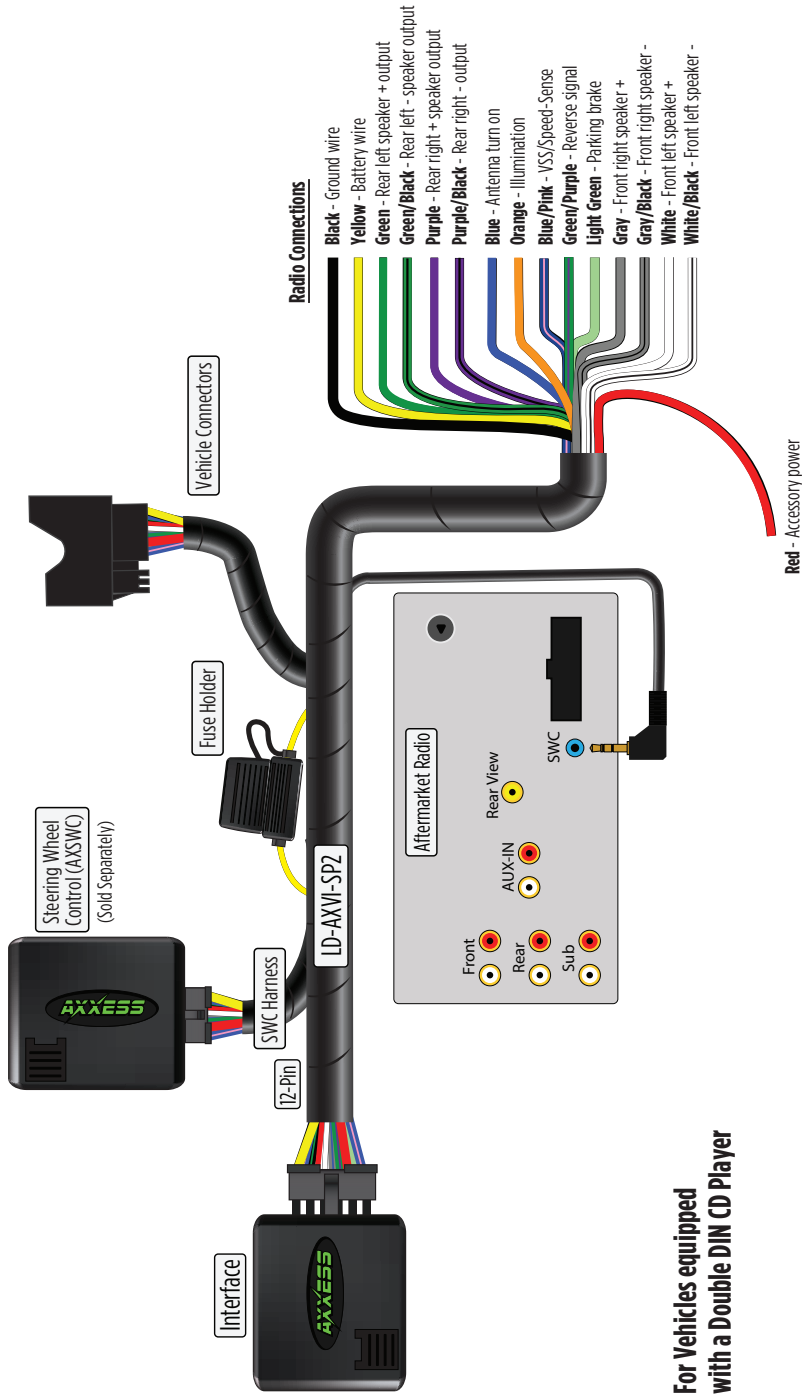
**ATTENTION:** With the key out of the ignition, disconnect the negative battery terminal before installing this product. Ensure that all installation connections, especially the air bag indicator lights, are plugged in before reconnecting the battery or cycling the ignition to test this product.  
**NOTE:** Refer also to the instructions included with the aftermarket accessory before installing this device.

# CONNECTIONS: LD-AXVI-SP1 DIAGRAM



For Vehicles equipped with a Single DIN CD Player

# CONNECTIONS: LD-AXVI-SP2 DIAGRAM



**For Vehicles equipped with a Double DIN CD Player**

## INSTALLATION

### With the key in the off position:

- Connect the **LD-AX-XSVI-SPI** or **LD-AX-XSVI-SP2** harness into the interface, and then to the wiring harness in the vehicle.

## PROGRAMMING

**Attention!** If the interface loses power for any reason, the following steps will need to be performed again. Also, if installing an AXSWC connect it after you initialize and test the interface/radio, with the key in the off position.

- Turn the key (or push-to-start button) to the ignition position and wait until the radio comes on.

**Note:** If the radio does not come on within 60 seconds, turn the key to the off position, disconnect the interface, check all connections, reconnect the interface, and then try again.

- Turn the key to the off position, and then to the accessory position. Test all functions of the installation for proper operation, before reassembling the dash.

**Note:** If using the AXSWC, connect it after you initialize the **AXDI-SPI**, with the key in the off position.

Having difficulties? We're here to help.



Contact our Tech Support line at:

**386-257-1187**



Or via email at:  
techsupport@metra-autosound.com

### Tech Support Hours (Eastern Standard Time)

Monday - Friday: 9:00 AM - 7:00 PM

Saturday: 10:00 AM - 5:00 PM

Sunday: 10:00 AM - 4:00 PM



**® KNOWLEDGE IS POWER**

Enhance your installation and fabrication skills by enrolling in the most recognized and respected training program in the industry.  
Log onto [www.installerinstitute.edu](http://www.installerinstitute.edu) or call 386-672-5771 for more information and take steps toward a better tomorrow.



**Metra recommends MECP certified technicians**