

### Ford Data Interface 2011-Up



#### INTERFACE FEATURES

- Provides accessory power (12-volt 10-amp)
- Retains R.A.P. (retained accessory power)
- Provides wires for multimedia radios (park brake, reverse, speed sense)
- Prewired AXSWC harness
- Retains balance and fade
- USB Micro-B updatable

#### INTERFACE COMPONENTS

- AXDI-FD2 Interface
- AXDI-FD2 Harness

#### APPLICATIONS

##### Ford

Escape (without MyFord Touch)	2015-2019
Fiesta (without MyFord Touch)	2011-2019
Focus (without MyFord Touch)	2012-2014

Ranger (without MyFord Touch)	2019-Up
Transit Connect (AW/FM/CD)	2015-2019
Transit Connect	2014-2016

#### Product Info



#### TABLE OF CONTENTS

Connections	2
Installation	3
Programming	3

#### TOOLS & INSTALLATION ACCESSORIES REQUIRED

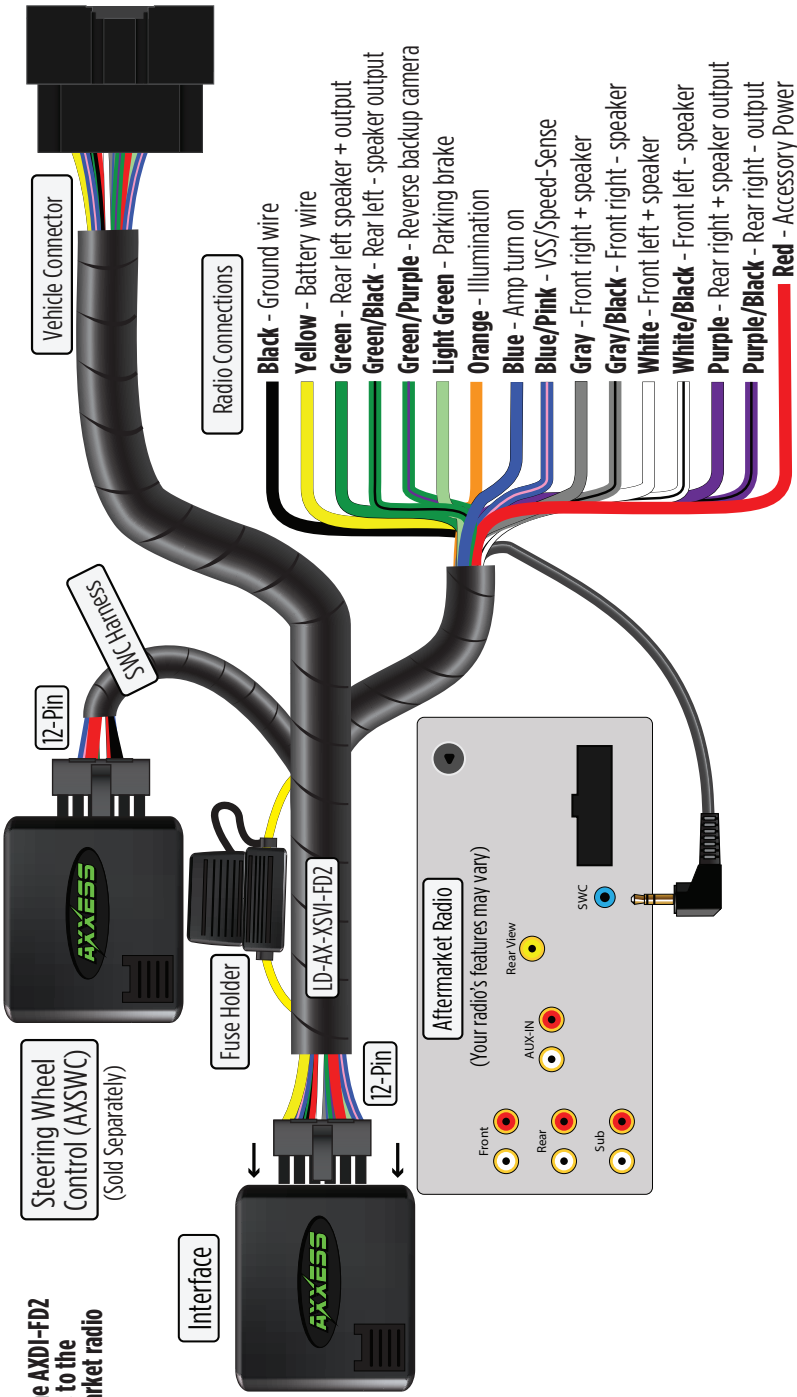
- Crimping tool and connectors, or solder gun, solder, and heat shrink
- Tape
- Wire cutter
- Zip ties
- Multimeter tester

Visit [AxcessInterfaces.com](http://AxcessInterfaces.com) for more detailed information about the product and up-to-date vehicle specific applications.

**ATTENTION:** With the key out of the ignition, disconnect the negative battery terminal before installing this product. Ensure that all installation connections, especially the air bag indicator lights, are plugged in before reconnecting the battery or cycling the ignition to test this product.  
**NOTE:** Refer also to the instructions included with the aftermarket accessory before installing this device.

# CONNECTIONS: LD-AX-XSVI-FD2 DIAGRAM

From the AXDI-FD2 harness to the aftermarket radio



## INSTALLATION

### With the key in the off position:

1. Connect the **AXDI-FD2 harness** into the **AXDI-FD2 interface**, and then to the wiring harness in the vehicle.

**Note:** If installing an AXSWC, connect it after you program and test the AXDI-FD2, with the key in the off position.

## PROGRAMMING

**Attention!** If the interface loses power for any reason, the following steps will need to be performed again.

1. Cycle the engine on.

**Note:** If the radio doesn't come on within 60 seconds, turn the key to the off position, disconnect the interface, check all connections, reconnect the interface, and then try again.

2. Cycle the ignition off, then back on.
3. Test all functions of the installation for proper operation.

Having difficulties? We're here to help.



Contact our Tech Support line at:

**386-257-1187**



Or via email at:  
[techsupport@metra-autosound.com](mailto:techsupport@metra-autosound.com)

### Tech Support Hours (Eastern Standard Time)

Monday - Friday: 9:00 AM - 7:00 PM

Saturday: 10:00 AM - 5:00 PM

Sunday: 10:00 AM - 4:00 PM



### **® KNOWLEDGE IS POWER**

Enhance your installation and fabrication skills by enrolling in the most recognized and respected audio training program in the industry.  
Log onto [www.installerinstitute.edu](http://www.installerinstitute.edu) or call 386-672-5771 for more information and take steps toward a better tomorrow.



**Metra recommends MECP  
certified technicians**