

## Chrysler Chime Interface 2013-Up

### INTERFACE FEATURES

- Provides accessory power (12-volt 10-amp)
- Retains R.A.P. (Retained Accessory Power)
- Used in non-amplified models, or when bypassing a factory amplifier
- Provides wires for multimedia radios (park brake, reverse, speed sense)
- Pre-wired AXSWC harness (AXSWC sold separately)
- Retains the factory backup camera (if displayed through the OE radio)
- Retains the 3.5mm AUX-IN jack
- Retains balance and fade
- Retains safety chimes
- Micro-B USB updatable



### INTERFACE COMPONENTS

- AXDI-CH5 interface
- LD-AX-XSVI-CH3 harness

### APPLICATIONS

#### Dodge

Dart (small screen option) .....2013-2016

#### RAM

1500, 2500, 3500 (small screen option) .....2013-up

### TABLE OF CONTENTS

#### Connections

|                     |   |
|---------------------|---|
| LD-AX-XSVI-CH3..... | 2 |
| Installation .....  | 3 |
| Programming.....    | 3 |

### TOOLS & INSTALLATION ACCESSORIES REQUIRED

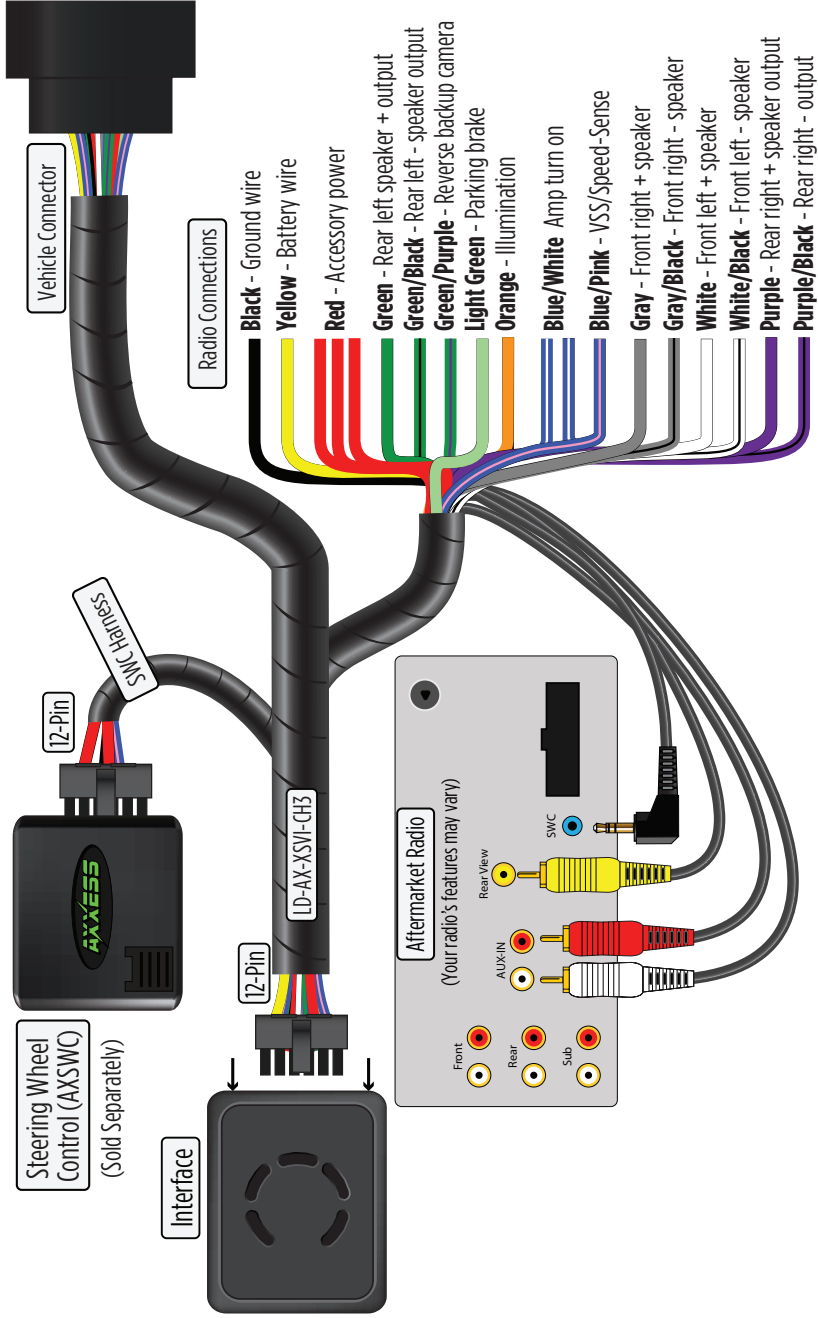
- Cutting tool • Tape • Crimping tool
- Connectors (i.e. butt-connectors, bell caps, etc.)

Visit [AxcessInterfaces.com](http://AxcessInterfaces.com)

for more detailed information about the product and up-to-date vehicle specific applications

**ATTENTION:** With the key out of the ignition, disconnect the negative battery terminal before installing this product. Ensure that all installation connections, especially the air bag indicator lights, are plugged in before reconnecting the battery or cycling the ignition to test this product. **NOTE:** Refer also to the instructions included with the aftermarket accessory before installing this device.

# CONNECTIONS: LD-AX-XSVI-CH3 DIAGRAM



**With the key in the off position:**

- Connect the LD-AX-XSVI-CH3 harness into the interface, and then to the wiring harness in the vehicle.

**Attention!** If the interface loses power for any reason, the following steps will need to be performed again. Also, if installing an AXSWC connect it after you initialize and test the interface/radio, with the key in the off position.

- Turn the key (or push-to-start button) to the ignition position and wait until the radio comes on.

**Note:** If the radio does not come on within 60 seconds, turn the key to the off position, disconnect the interface, check all connections, reconnect the interface, and then try again.

- Turn the key to the off position, and then to the accessory position. Test all functions of the installation for proper operation, before reassembling the dash.

**Note:** If using the AXSWC, connect it after you initialize the AXDI-CH5, with the key in the off position.

Having difficulties? We're here to help.



Contact our Tech Support line at:

**386-257-1187**



Or via email at:  
[techsupport@metra-autosound.com](mailto:techsupport@metra-autosound.com)

### Tech Support Hours (Eastern Standard Time)

Monday - Friday: 9:00 AM - 7:00 PM

Saturday: 10:00 AM - 5:00 PM

Sunday: 10:00 AM - 4:00 PM



### **® KNOWLEDGE IS POWER**

Enhance your installation and fabrication skills by enrolling in the most recognized and respected audio installation training program available.  
Log onto [www.installerinstitute.edu](http://www.installerinstitute.edu) or call 386-672-5771 for more information and take steps toward a better tomorrow.



**Metra recommends MECP  
certified technicians**