



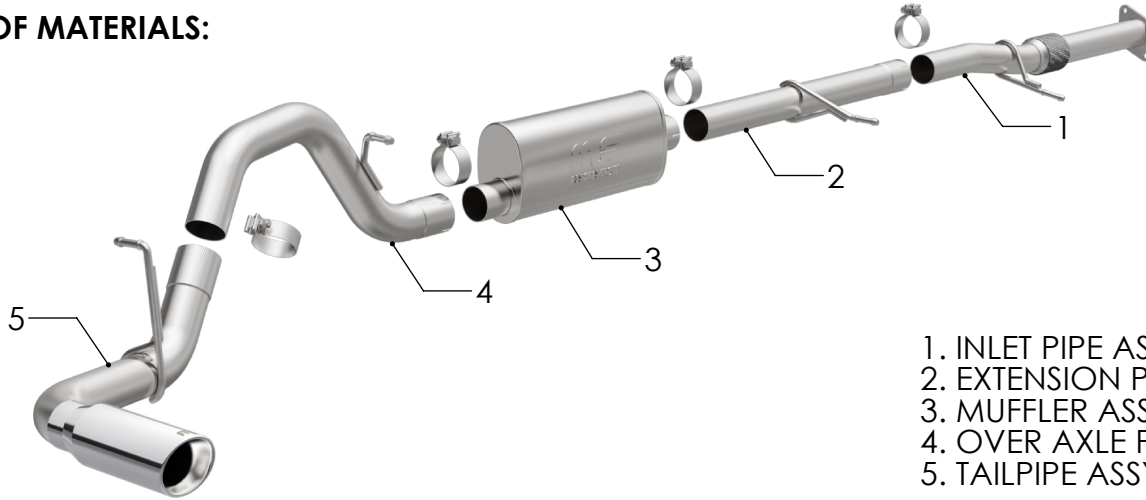
# INSTALLATION INSTRUCTIONS



CANYON | COLORADO 2.7L

PART NO. 19649

## BILL OF MATERIALS:



- 1. INLET PIPE ASSY.
- 2. EXTENSION PIPE ASSY.
- 3. MUFFLER ASSY.
- 4. OVER AXLE PIPE ASSY.
- 5. TAILPIPE ASSY.



WEAR SAFETY GLASSES



READ INSTRUCTIONS THOROUGHLY BEFORE INSTALLING PRODUCT



SPRAY LUBRICANT

To ease removal of existing exhaust components (especially on older vehicles) spray penetrating lubricant on all fasteners and hangers/insulators that will be loosened or removed and let soak before disassembly.

### HARDWARE KIT:

- 1. [4] 3.00" Torca Clamp

### MINIMUM REQUIRED TOOLS:



13mm



Hanger Tool (Or Pry Bar)

### MAGNAFLOW RECOMMENDS PROFESSIONAL INSTALLATION ON ALL THEIR PRODUCTS



**WARNING:** When working on, under, or around any vehicle exercise caution. Please allow the vehicle's exhaust system to cool before removal, as exhaust system temperatures may cause severe burns. If working without a lift always consult vehicle manual for correct lifting specifications. Always wear safety glasses and ensure a safe work area. Serious injury or death could occur if safety measures are not followed.

**ATTENTION:** Always install any supplied band or U-bolt clamps to the proper torque specifications of 40-45 ft-lb for band clamps and 30-35 ft-lb for U-bolt clamps. Over tightening will result in the clamps breaking and will NOT be warranted by MagnaFlow.

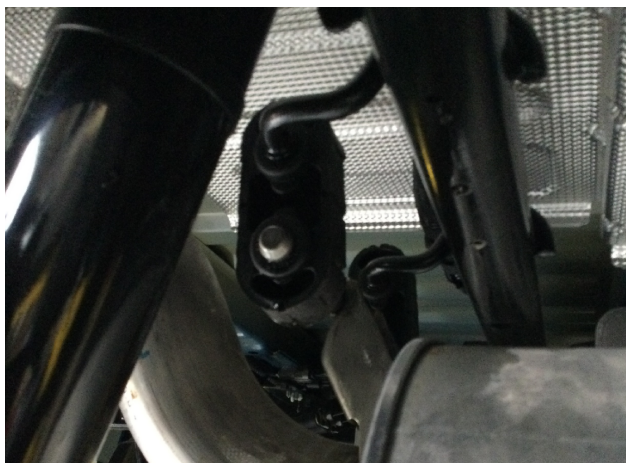
MAGNAFLOW: 1901 Corporate Centre Dr - Oceanside, CA 92056 | 1(800)990-0905

Technical Support: 1(800) 959-9226 | Email: moreinfo@magnaflow.com

## INSTALLATION INSTRUCTIONS



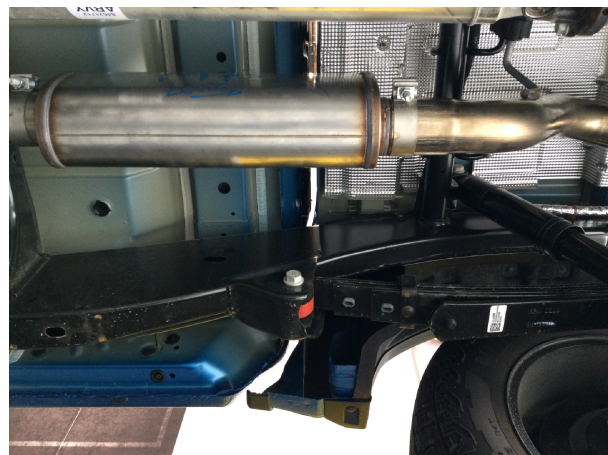
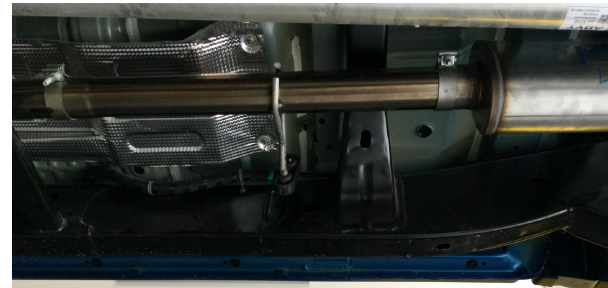
**Step 1:** Begin extracting the OE exhaust by removing the fasteners at the two bolt flange junction. Retain these fasteners to use on the new exhaust installation,



**Step 2:** Working front to rear, disengage all welded hangers from the rubber insulators and remove the system. (Retain the rubber insulators as they will be needed to mount the new MAGNAFLOW system.)



**Step 3:** Begin Installing the new MagnaFlow exhaust system by attaching the inlet pipe to the flange outlet using the OE fasteners.



**Step 4:** Next attach the Extension pipe to the Inlet Assembly using a supplied 3.00" Clamp, fit the hanger into the rubber insulator. Next attach the Oval Muffler to the Extension Pipe with the supplied 3.00" clamp, for proper orientation the MF logo should be right side up.

**MAGNAFLOW:** 1901 Corporate Centre Dr - Oceanside, CA 92056 | 1(800)990-0905  
**Technical Support:** 1(800) 959-9226 | Email: [moreinfo@magnaflow.com](mailto:moreinfo@magnaflow.com)



## INSTALLATION INSTRUCTIONS



**Step 5:** Install the Over Axle Pipe to the Muffler outlet using the supplied clamp. Engage both hangers to the rubber insulators.



**Step 6:** Install the Tail Pipe to the Over Axle Pipe outlet using the supplied clamp. Engage the hanger to the rubber insulator.



**Step 7:** Once a final position has been chosen for the new exhaust system, evenly tighten all clamps from front to rear using the torque specifications on page one of the instructions. Inspect all fasteners after 25-50 miles of operation and re-tighten if necessary.