

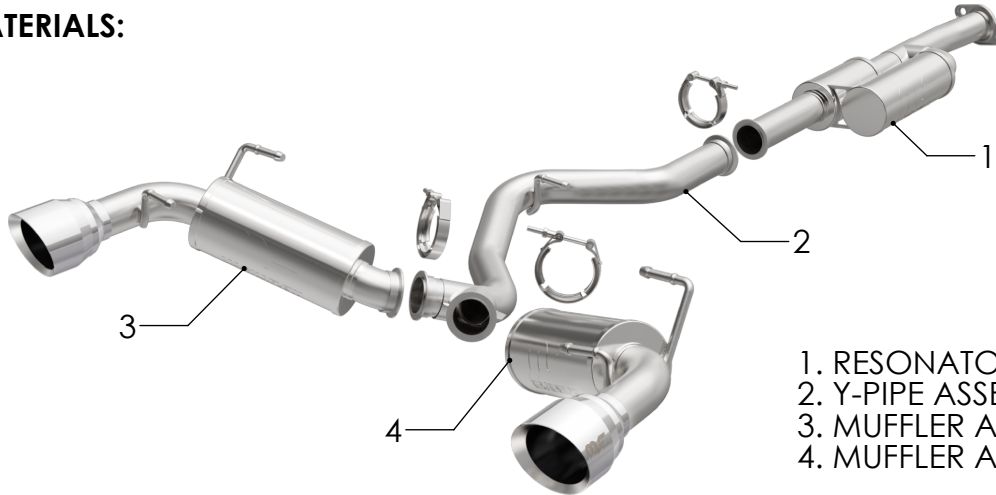


INSTALLATION INSTRUCTIONS



NEO SERIES BRZ | GR 86 2.4L | PART NO. 19595

BILL OF MATERIALS:



- 1. RESONATOR ASSEMBLY
- 2. Y-PIPE ASSEMBLY
- 3. MUFFLER ASSEMBLY D/S
- 4. MUFFLER ASSEMBLY P/S

SHOP SUPPLIES:

HARDWARE KIT:

- 1. [3] 2.50" V-Clamp



WEAR SAFETY GLASSES



READ INSTRUCTIONS THOROUGHLY BEFORE INSTALLING PRODUCT



SPRAY LUBRICANT

To ease removal of existing exhaust components (especially on older vehicles) spray penetrating lubricant on all fasteners and hangers/insulators that will be loosened or removed and let soak before disassembly.

MINIMUM REQUIRED TOOLS:



13,15 mm



Hanger Tool (Or Pry Bar)

MAGNAFLOW RECOMMENDS PROFESSIONAL INSTALLATION ON ALL THEIR PRODUCTS

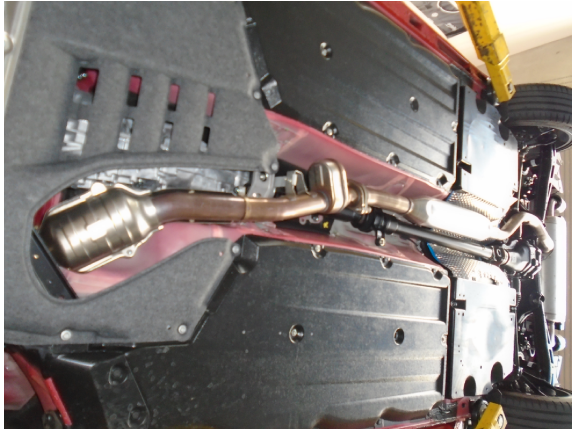


WARNING: When working on, under, or around any vehicle exercise caution. Please allow the vehicle's exhaust system to cool before removal, as exhaust system temperatures may cause severe burns. If working without a lift always consult vehicle manual for correct lifting specifications. Always wear safety glasses and ensure a safe work area. Serious injury or death could occur if safety measures are not followed.

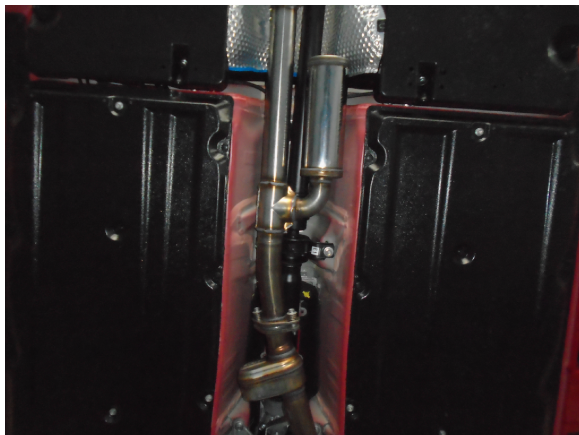
ATTENTION: Always install any supplied band or U-bolt clamps to the proper torque specifications of 40-45 ft-lb for band clamps and 30-35 ft-lb for U-bolt clamps. Over tightening will result in the clamps breaking and will NOT be warranted by MagnaFlow.

MAGNAFLOW: 1901 Corporate Centre Dr - Oceanside, CA 92056 | 1(800)990-0905
Technical Support: 1(800) 959-9226 | Email: moreinfo@magnaflow.com

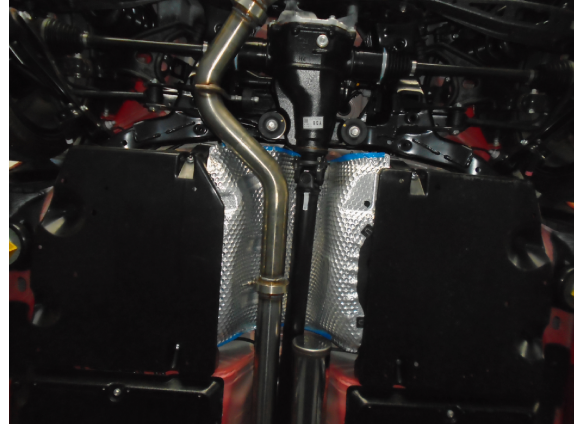
INSTALLATION INSTRUCTIONS



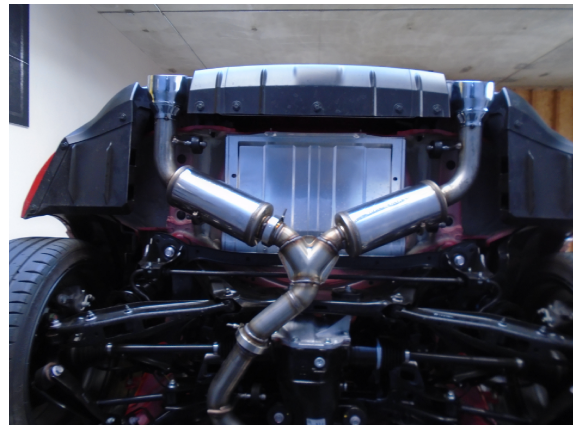
Step 1. Begin removal of your OEM exhaust system by unbolting the flange behind the catalytic converter. Remove all welded hangers from the rubber insulators. The exhaust can now be removed. Retain all fasteners and insulators as they will be needed to mount your new MagnaFlow exhaust system



Step 2. Install your new system by first mounting the Resonator Assembly to the catalytic converter outlet using the OEM fasteners



Step 3. Next, using the supplied 2.50" V-Clamp loosely attach the Y-Pipe Assembly to the Resonator Assembly and attach the hanger to the rubber insulator.



Step 4. Install the Muffler Assemblies in a similar fashion using the supplied 2.50" V-clamps and fitting the hangers into the insulators.



Step 5. Once a final position has been chosen for the new exhaust system, evenly tighten all clamps from front to rear using the torque specification on page one of these instructions. Inspect all fasteners after 25-50 miles of operation. Re-tighten if necessary.