

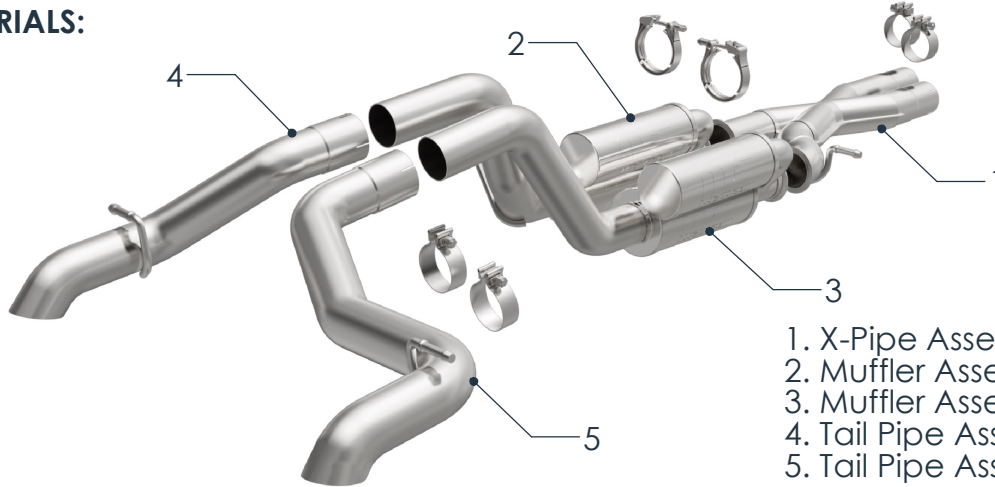


INSTALLATION INSTRUCTIONS



WRANGLER 6.4L ROCK CRAWLER | PART NO. 19582

BILL OF MATERIALS:



- 1. X-Pipe Assembly
- 2. Muffler Assembly D/S
- 3. Muffler Assembly P/S
- 4. Tail Pipe Assembly D/S
- 5. Tail Pipe Assembly P/S



WEAR SAFETY GLASSES



READ INSTRUCTIONS THOROUGHLY BEFORE INSTALLING PRODUCT



SPRAY LUBRICANT

To ease removal of existing exhaust components (especially on older vehicles) spray penetrating lubricant on all fasteners and hangers/insulators that will be loosened or removed and let soak before disassembly.

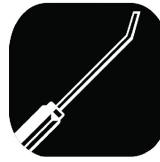
HARDWARE KIT:

- 1. [2] 2.75" Clamp
- 2. [2] 3.00" Clamp
- 3. [2] V-Band Clamp

MINIMUM REQUIRED TOOLS:



13,15 mm



Hanger Tool (Or Pry Bar)

MAGNAFLOW RECOMMENDS PROFESSIONAL INSTALLATION ON ALL THEIR PRODUCTS

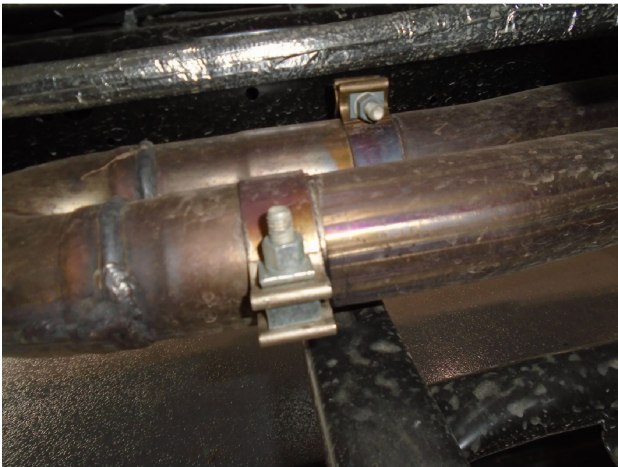


WARNING: When working on, under, or around any vehicle exercise caution. Please allow the vehicle's exhaust system to cool before removal, as exhaust system temperatures may cause severe burns. If working without a lift always consult vehicle manual for correct lifting specifications. Always wear safety glasses and ensure a safe work area. Serious injury or death could occur if safety measures are not followed.

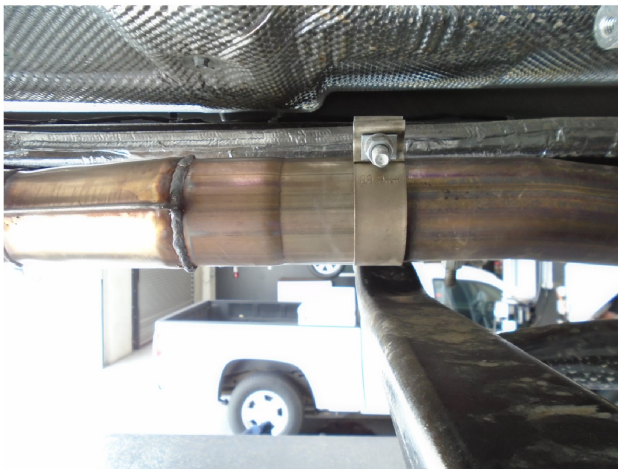
ATTENTION: Always install any supplied band or U-bolt clamps to the proper torque specifications of 40-45 ft-lb for band clamps and 30-35 ft-lb for U-bolt clamps. Over tightening will result in the clamps breaking and will NOT be warranted by MagnaFlow.

MAGNAFLOW: 1901 Corporate Centre Dr - Oceanside, CA 92056 | 1(800)990-0905
Technical Support: 1(800) 959-9226 | Email: moreinfo@magnaflow.com

INSTALLATION INSTRUCTIONS



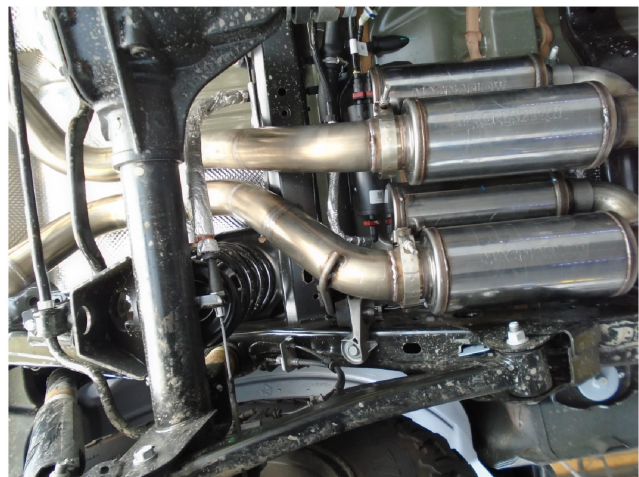
Step 1. Remove the OE system by loosening the clamps at the exhaust inlet. Extract the welded hangers from the rubber insulators and remove the exhaust. Do not damage the rubber insulators as they will be used to install the new MagnaFlow system.



Step 2. Begin installation of the MagnaFlow system by attaching the X-Pipe Assembly with the supplied 2.75" clamps and fitting the hanger into the rubber insulator (Leave all clamps loose for final adjustment of the complete system.)



Step 3. Next install the Muffler Assemblies using the supplied V-Band clamps. Fit the hanger on the driver side assembly into the rubber insulator.



Step 4. Complete the installation by attaching the Tailpipe Assemblies onto the Muffler Assemblies using the supplied 3.00" clamps. Fit the hangers into the rubber insulators

INSTALLATION INSTRUCTIONS



Step 5. Once a final position has been chosen for the new exhaust system, evenly tighten all clamps from front to rear using the torque specifications on page one of the instructions. Inspect all fasteners after 25-50 miles of operation and re-tighten if necessary.