



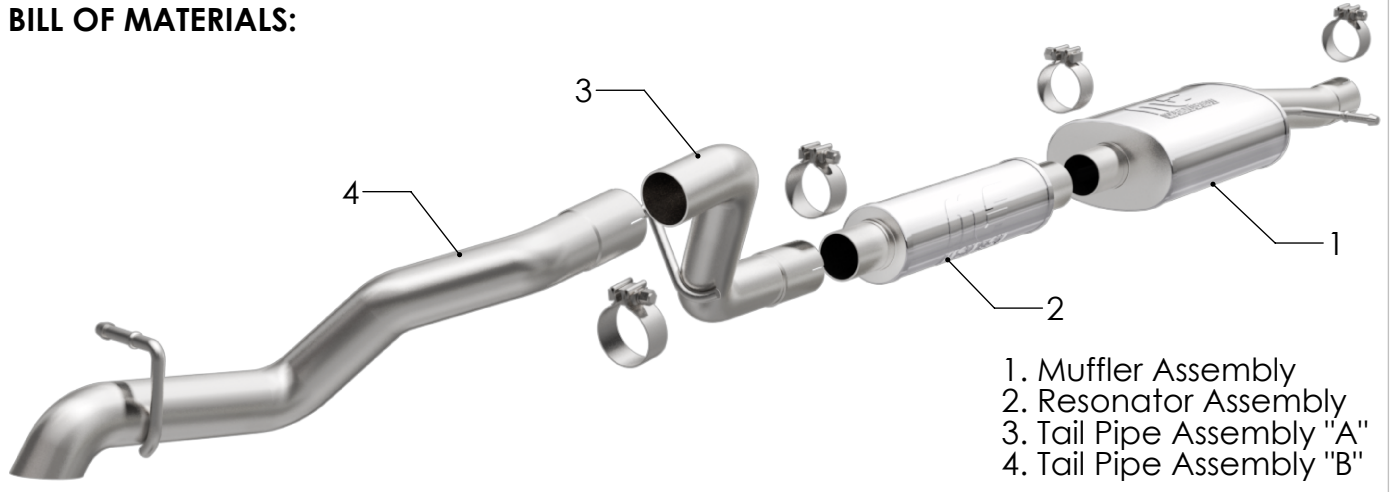
# INSTALLATION INSTRUCTIONS



Jeep JK Overland System

PART NO. 19539

## BILL OF MATERIALS:



WEAR SAFETY GLASSES



READ INSTRUCTIONS THOROUGHLY BEFORE INSTALLING PRODUCT



SPRAY LUBRICANT

To ease removal of existing exhaust components (especially on older vehicles) spray penetrating lubricant on all fasteners and hangers/insulators that will be loosened or removed and let soak before disassembly.

## HARDWARE KIT:

- 1. [4] 2.50" Clamp

## MINIMUM REQUIRED TOOLS:



13 mm



Hanger Tool (Or Pry Bar)

## MAGNAFLOW RECOMMENDS PROFESSIONAL INSTALLATION ON ALL THEIR PRODUCTS



**WARNING:** When working on, under, or around any vehicle exercise caution. Please allow the vehicle's exhaust system to cool before removal, as exhaust system temperatures may cause severe burns. If working without a lift always consult vehicle manual for correct lifting specifications. Always wear safety glasses and ensure a safe work area. Serious injury or death could occur if safety measures are not followed.

**ATTENTION:** Always install any supplied band or U-bolt clamps to the proper torque specifications of 40-45 ft-lb for band clamps and 30-35 ft-lb for U-bolt clamps. Over tightening will result in the clamps breaking and will NOT be warranted by MagnaFlow.

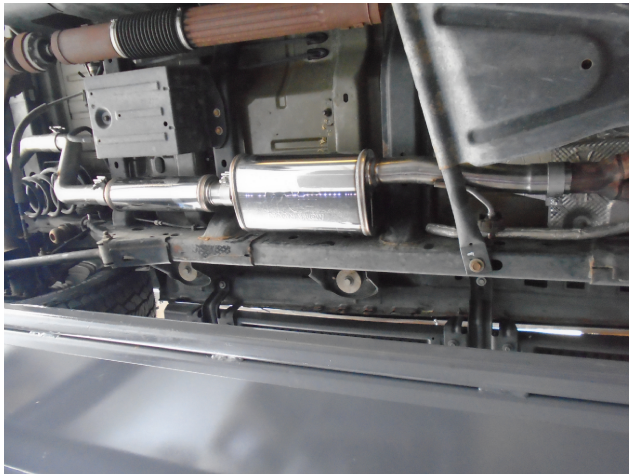
MAGNAFLOW: 1901 Corporate Centre Dr - Oceanside, CA 92056 | 1(800)990-0905

Technical Support: 1(800) 959-9226 | Email: [moreinfo@magnaflow.com](mailto:moreinfo@magnaflow.com)

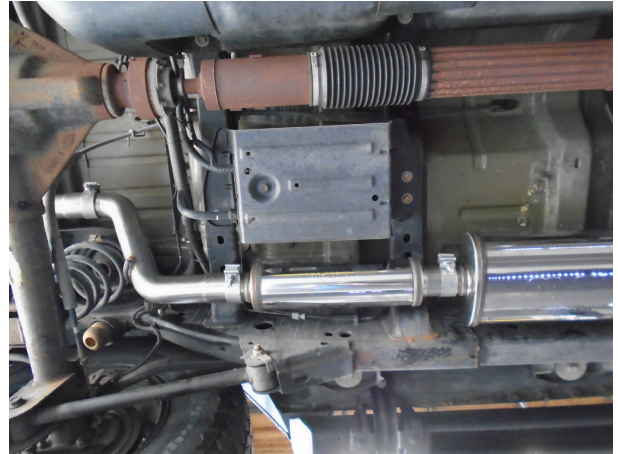
## INSTALLATION INSTRUCTIONS



**Step 1.** To remove the OEM exhaust system, unbolt the clamps at the catalytic converter and over-axle pipe. Disengage the welded hangers from the rubber isolators and remove the components. You may need to temporarily remove the transmission skidplate to aid in removal and installation.



**Step 2.** Begin installation of your new system by fitting the Muffler Assembly inlet pipe to the catalytic converter outlet. Locate the welded hanger to the rubber isolator. Secure using the supplied clamp. Be sure to fit the OEM alignment peg in the larger notch. Leave all clamps loose for final adjustment.



**Step 3.** Install the Resonator to the Muffler Assembly using the supplied clamp.



**Step 4.** Install Tail Pipe "A" and Tail Pipe "B" as shown using the supplied clamps and fit the welded hangers into the rubber insulators.

## INSTALLATION INSTRUCTIONS



**Step 5.** Once a final position has been chosen for the new exhaust system, evenly tighten all clamps from front to rear using the torque specifications on page one of the instructions. Inspect all fasteners after 25-50 miles of operation and re-tighten if necessary.