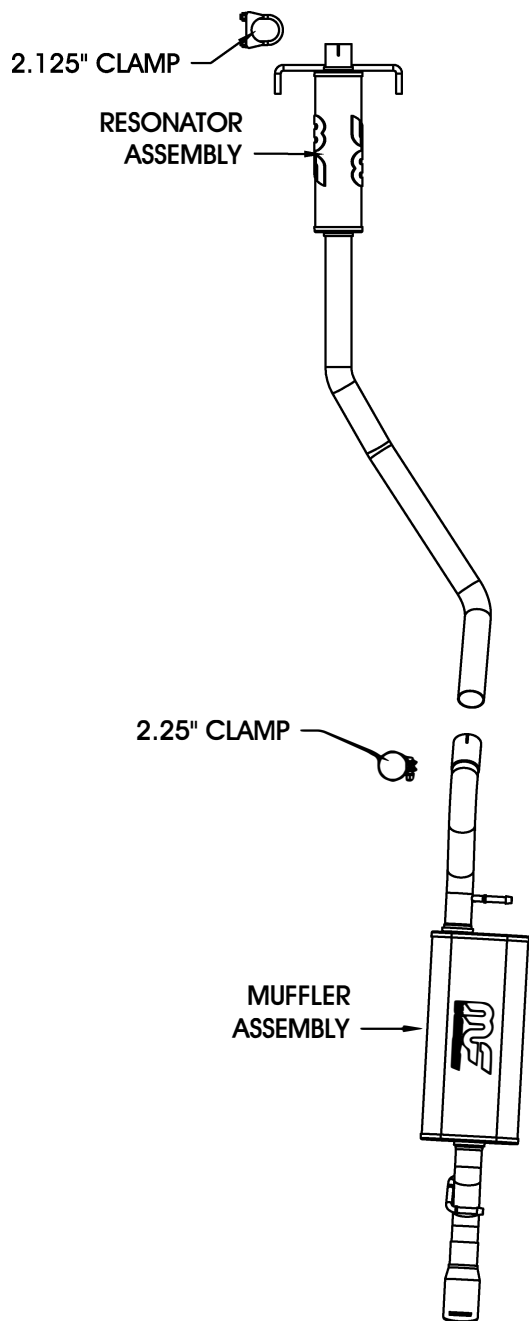


2003- TOYOTA CORROLA S - 4cyl. 1.8L



Warning: When working on, under, or around any vehicle exercise caution. Please allow the vehicle's exhaust system to cool before removal, as exhaust system temperatures may cause severe burns. If working without a lift, always consult vehicle manual for correct lifting specifications. Always wear safety glasses and ensure a safe work area. Serious injury or death could occur if safety measures are not followed.

Step 1: (Carefully read all instructions before installation) Disconnect the vehicle's battery before removal of the OEM exhaust. This will allow the computer to reset itself with the new system, and prevent electrical accidents. Begin removal of the OEM exhaust by unbolting the rear muffler at the 2-bolt flange, and by disengaging the welded hangers from the rubber insulators. Do not damage or discard the OEM fasteners or insulators, as they may be reused to mount the new system. You will then need to remove the chassis brace and cut the exhaust pipe just in front of the OEM resonator as shown in Figures 1, 2 and 3. Remove the OEM resonator assembly and deburr the cut pipe before installation of the new system.

Step 2: Install the new resonator assembly by fitting the welded hangers into the rubber insulators and by fastening it to the catalytic converter using the supplied 2.125" clamp. Leave all clamps and fasteners loose for final adjustment of the complete system. Install the muffler assembly in a similar fashion using the supplied clamp.



2003- TOYOTA CORROLA S- 4cyl. 1.8L

DIAGRAM 1



DIAGRAM 2

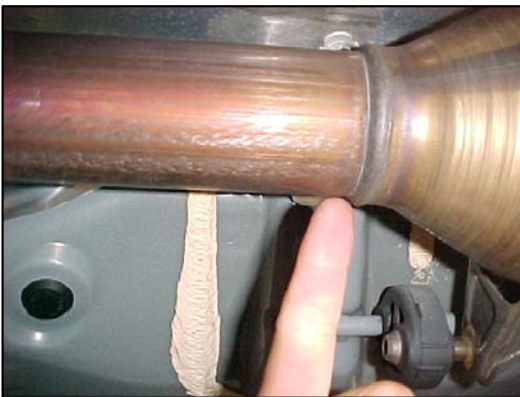
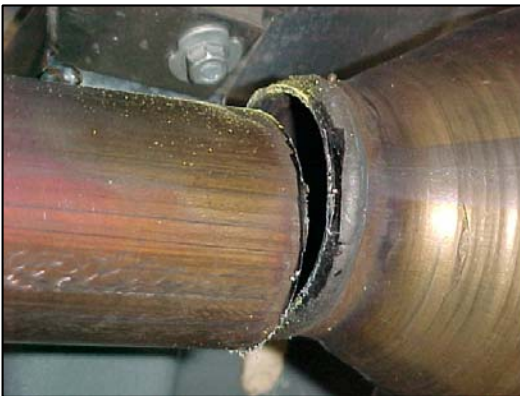


DIAGRAM 3



Warning: When working on, under, or around any vehicle exercise caution. Please allow the vehicle's exhaust system to cool before removal, as exhaust system temperatures may cause severe burns. If working without a lift, always consult vehicle manual for correct lifting specifications. Always wear safety glasses and ensure a safe work area. Serious injury or death could occur if safety measures are not followed.

Step 3: With all components mounted loosely, adjust the system for overall aesthetics and clearance of frame & bodywork. (MAGNAFLOW recommends at least 1/2" of clearance between the exhaust system and any body panels to prevent heat-related body damage or fire.)

Step 4: Once a final position has been chosen for the new system, evenly tighten all fasteners from front to rear. The supplied band clamps must be VERY tight to properly align the pipes and prevent leaks (Approximately 40ft-lbs). U-bolt clamps should be tightened to approximately 30-35ft-lbs. Inspect all fasteners after 25-50 miles of operation and retighten if necessary.