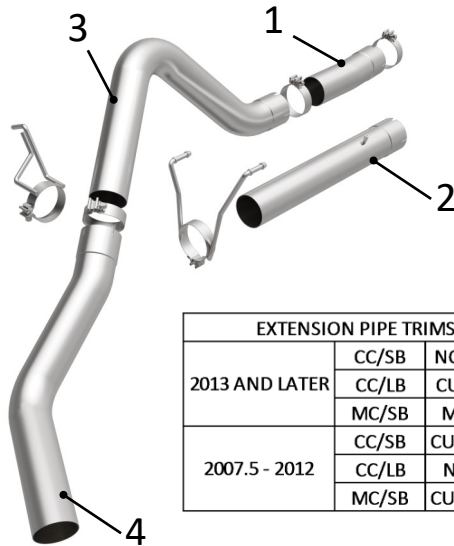


BRExhaust™

A **MAGNAFLOW GROUP** COMPANY

INSTALLATION INSTRUCTIONS | PART NO. 106-0415

BILL OF MATERIALS:



EXTENSION PIPE TRIMS			ITEM
2013 AND LATER	CC/SB	NO EXTN.	N/A
	CC/LB	CUT 3.25"	2
	MC/SB	MC PIPE	1
2007.5 - 2012	CC/SB	CUT 16.75"	2
	CC/LB	NO CUT	N/A
	MC/SB	CUT 11.00"	2

1. 2013-UP MEGA CAB INLET PIPE
2. 2013-UP CC/LB INLET PIPE 2007.5-2012 CC/SB INLET PIPE 2007.5-2012 MC/SB INLET PIPE
3. OVER AXLE PIPE
4. TAILPIPE ASSY

STEP 1:

(Carefully read all instructions before installation) Disconnect the vehicle's battery before removal of the OEM exhaust system. This will prevent electrical accidents and will reset the computer if it applies to the vehicle. Remove existing exhaust system from the vehicle. Only remove parts that will be replaced. Clean existing flange with a wire brush to ensure proper sealing.

STEP 2:

Before installing the new system determine which extension pipe configuration you will require. If you are cutting the Inlet Pipe [Item 2] to size measure from the end without the notches. Be sure to deburr and clean the cut edge.

STEP 3:

Begin installation of the BRE system by clamping the Inlet Pipe or Over Axle Pipe (depending on vehicle configuration) to the outlet of the DPF using a supplied 4.00" clamp. Locate the alignment notch to the OEM outlet. Slide the Hanger Clamp Assembly over the pipe and locate the welded hangers in the rubber insulators (leave all clamps loose for final adjustment of the complete system).

STEP 4:

For year spread 2013 and later with a long bed configuration attach the OEM cable bracket using the OEM bolt. This step is not required on other years or configurations.

STEP 5:

The shorter Inlet Pipe [Item 1] will be needed for all 2013 and later Mega Cab applications only

STEP 6:

Next, loosely slip the Hanger Clamp Assembly over the Tail Pipe Assembly and Install using the supplied clamps and by fitting the welded hangers into the rubber insulators.

STEP 7:

Tighten all clamps starting from rear of the vehicle. **(DO NOT EXCEED 30FT-LB WHEN TIGHTENING CLAMP AND CHECK ALL CLAMPS AFTER 50 MILES. RETIGHTEN IF NECESSARY)**

WARNING:

When working on, under, or around any vehicle exercise caution. Please allow the vehicle's exhaust system to cool before removal, as exhaust temperatures may cause severe burns. If working without a lift, always consult vehicle manual for correct lifting specifications. Always wear safety glasses and ensure a safe work area. Serious injury or death could occur if safety measures are not followed.



BRExhaust recommends professional installation for all products

Technical Support: 1-800-631-7271

BRExhaust — 1901 Corporate Ctr, Oceanside, CA 92056

www.brexhaust.com