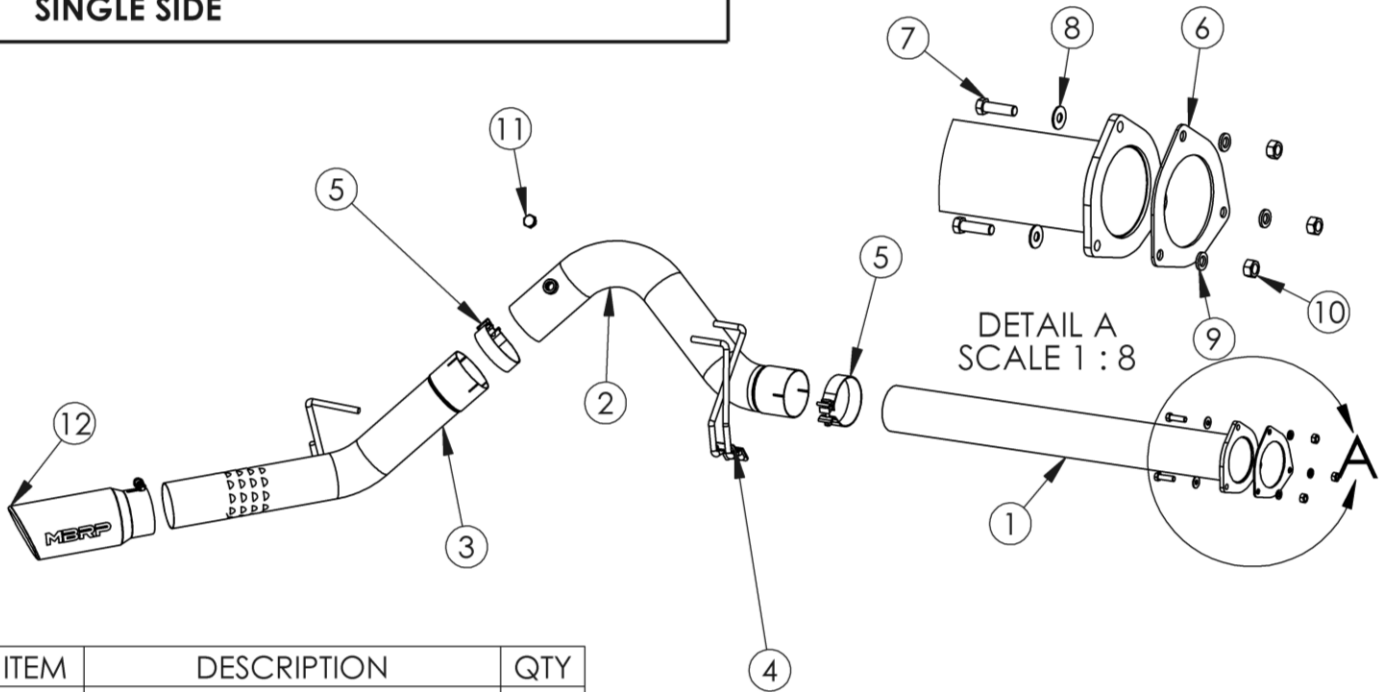


S6287

2011-2016 FORD F-250/350/450,6.7L
POWERSTROKE
CREW CAB & SUPERCAB, 4" DPF BACK,
SINGLE SIDE

MBRP®



ITEM	DESCRIPTION	QTY
1	4" EXTENSION PIPE	1
2	OVER AXLE PIPE	1
3	TAIL PIPE	1
4	HANG TIGHT HANGER	1
5	4" BAND CLAMP	2
6	FLANGE GASKET	1
7	7/16" X 1 1/2" BOLT	3
8	3/8" FLAT WASHER	3
9	7/16" LOCK WASHER	3
10	7/16" NUT	3
11	M22X1.5 HEX HEAD PLUG	1
12	EXUAST TIP 5"	1

Refer to this LOT NUMBER when contacting customer service: _____

PLEASE READ BEFORE STARTING INSTALLATION

While MBRP has made every effort to ensure that all components of this system are of superior quality and properly packaged, it is the installer's responsibility to ensure the following before removal of the factory exhaust:

- that ALL components shown above are present.
- that ALL mating components fit together.
- that there are no damaged components.
- that the system you have purchased is appropriate for your vehicle year, model and configuration.
- that the system will not interfere with any modifications previously installed or planned.
- that you have read and understand these instructions.

If you have any questions or are uncertain about any aspect of the installation of this system to your vehicle please contact your dealer before commencing installation.

MBRP

Removal of Stock System

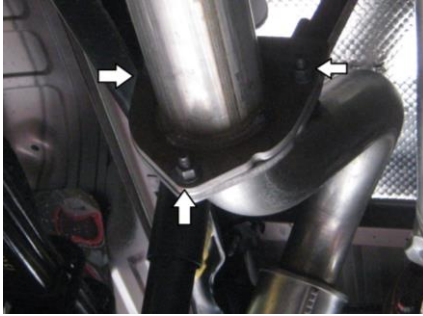


Figure 1

1. Apply some penetrating lubricant to all exhaust fasteners, hangers, and rubber insulators.
2. Loosen the three (3) nuts securing the extension pipe flange to the over-axle pipe. **Refer to Figure 1.**

3. Remove temperature sensor from over-axle/tail pipe. Remove the factory over-axle/tail pipe.

4. Loosen the three (3) nuts securing the extension pipe to the flange directly behind the exhaust filter and remove the extension pipe. **Refer to Figure 2.**

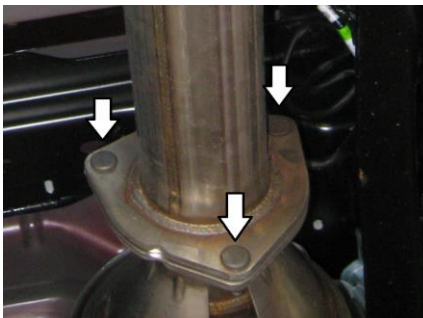


Figure 2

Installation of MBRP Performance Exhaust

1. The **Extension Pipe** is pre-cut for the 172.4" (crew-cab long-box) wheelbase. Cut the **Extension Pipe** to the appropriate length for the installation vehicle. **Refer to Figure 3.**

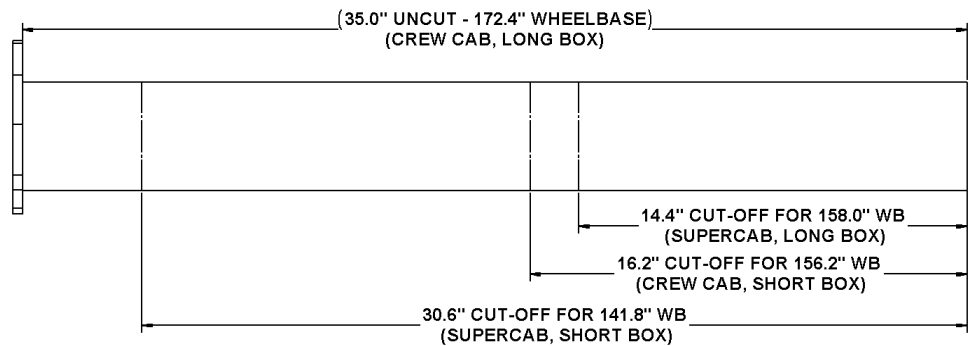


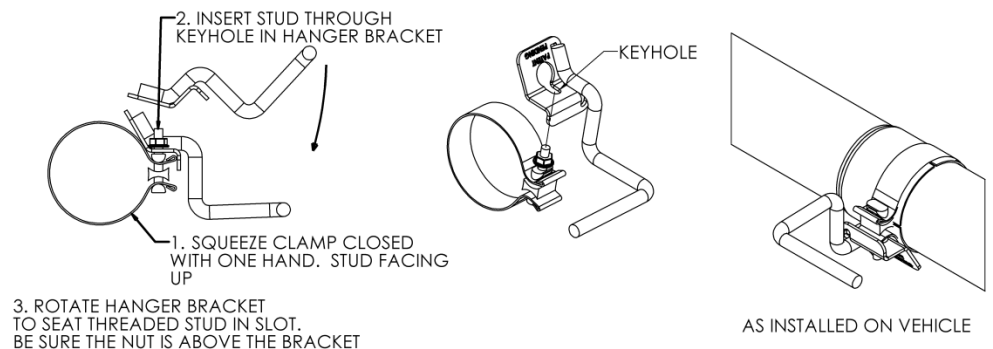
Figure 3



Figure 4

2. Mate the **Extension Pipe** flange to the stock exhaust flange with the **Gasket** between them and fasten the flanges together with the hardware provided. **Refer to Figure 4.**

3. Install the **Hang Tight™ Hanger** onto a **4.0" Band Clamp** using the procedure shown below. (Hang Tight™ Hanger not exactly as shown)



MBRP



Figure 5

4. Place the previously assembled **Hang Tight™ Hanger** onto the end of the **Over-Axle Pipe**, leaving the clamp loose. Install the **Hang Tight™ Hanger** into the factory rubber isolators.

5. Install the **Over-Axle Pipe** onto the **Extension Pipe** and snug the **Hang Tight™ Hanger** clamp.

6. Place the second band clamp loosely onto the **Tail Pipe** and install onto the **Over-Axle Pipe**, inserting the hanger into the rearward factory rubber isolator. **Refer to Figure 5.**



Figure 6

7. Install the **Exhaust Tip** using a 17mm wrench.

8. Align the exhaust as require. Tighten all hardware and clamps, starting at the front and working rearward to secure the system. Check along the full length of the exhaust system to ensure there is adequate clearance for fuel lines, vent lines, brake lines, frame, bodywork, suspension and any wiring, etc. If there is any interference detected, relocate or adjust to provide adequate clearance.

9. Fasten temperature sensor to bung on **Over-Axle Pipe** or install the supplied hex head plug (2011-2014 models). **Refer to Figure 6.**

10. Ensure all clamp connections are secure and components are unable to rotate or slide. Band clamps require approximately 45 lb-ft (60 Nm) of torque. Verify clearances, system security and band clamp torque after 30-60 miles (50-100 km) of driving

Congratulations! You are ready to begin experiencing the improved power, sound, and driving experience of your **MBRP** performance exhaust system. We know you will enjoy your purchase.