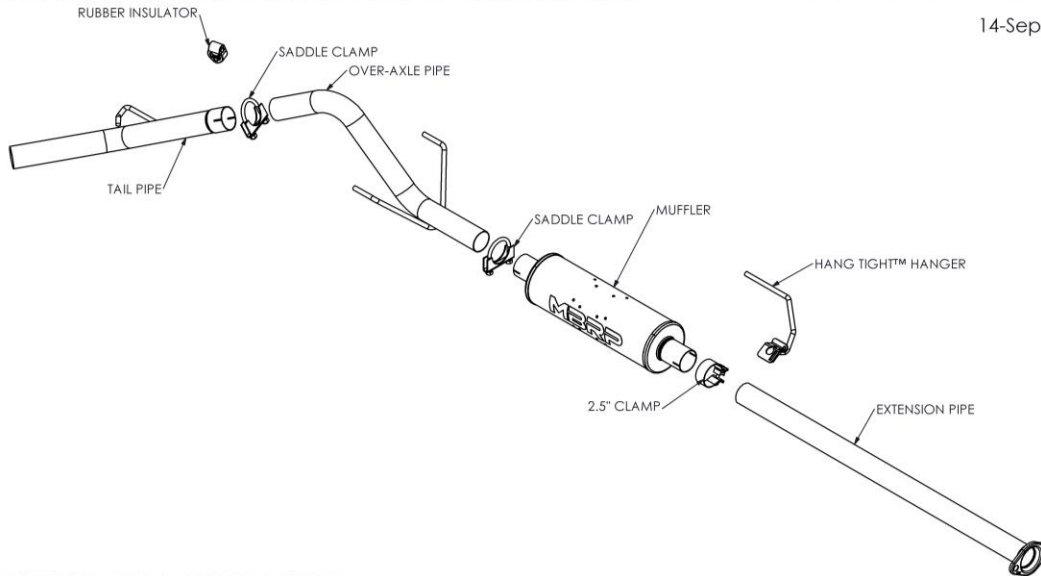


# S5326P

05-15 TOYOTA TACOMA, 4.0L, EXTENDED/CREW CAB, CAT BACK, 2.5" SINGLE SIDE, EXC. X-RUNNER

# MBRP

14-Sep-2021



## PLEASE READ BEFORE STARTING INSTALLATION

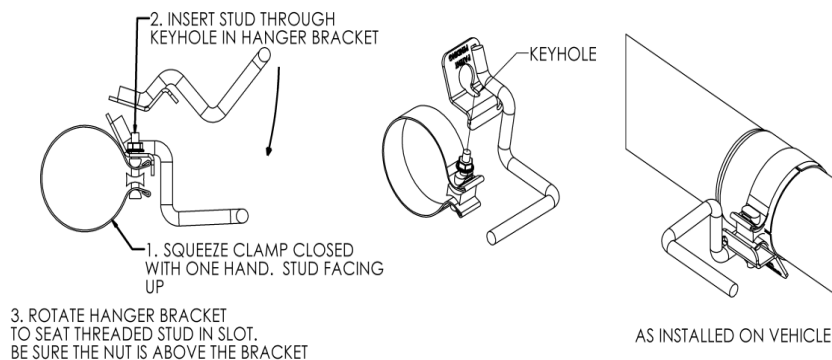
MBRP has made every effort to ensure that all components of this system are of superior quality and properly packaged. It is the installer's responsibility to ensure that all components are present and fit together as shown. Please also ensure that all components are undamaged before removal of the factory exhaust. Finally, check that this system properly matches the make and model of the vehicle and will not interfere with previous or planned modifications.

### Removal of Stock System:

1. Apply a penetrating lubricant liberally to all exhaust fasteners, hangers, and rubber insulators.
2. Remove the bolts and springs holding the front flange together and disconnect exhaust system. Do not discard this hardware as it is used for the installation.
3. Remove the hangers from the rubber insulators and remove the exhaust from the vehicle. If a hoist or hydraulic lift is not being used the tail pipe may need to be cut to clear the rear axle.

### Installation of MBRP Inc. Performance Exhaust:

1. Using the bolts previously removed from the flange slide the springs over the bolts and loosely attach the **Extension Pipe** to the flange using the fasteners. Note: The **Extension Pipe** will need to be cut to 32" for the **Double Cab Short Bed** model.
2. Install the Hang Tight™ Hanger onto a 2.5" Band Clamp using the procedure shown below. (Hang Tight™ Hanger not exactly as shown)



3. Install the Hang Tight™ Hanger assembly over the Extension Pipe and into the OEM rubber isolator located on the frame near the end of the Extension Pipe.

4. Install the Muffler over the Extension Pipe using the **Hang Tight™ Hanger** assembly to secure the **Muffler** to the Extension Pipe.
5. Slide **2.5" Band Clamp** over the outlet side of the **Muffler**. Install the **Over-Axle Pipe** into the Muffler and position it using the two OEM rubber isolators located on the frame. Slide the 2.5" Band Clamp over to secure the Muffler and the Over-Axle Pipe.
6. Slide the **2.5" Band Clamp** over the **Tail Pipe's** expanded side and Install onto the Over Axle Pipe. Position the Tail Pipe by installing the hanger onto OEM rubber insulator. Slide the 2.5" Band Clamp over to secure the Tail Pipe and the Over-Axle Pipe.
7. Align the exhaust as required. Check along the whole length of the exhaust system all hardware and clamps, starting at the front and working rearward to secure the system. Check along the full length of the exhaust system to ensure there is adequate clearance for fuel lines, vent lines, brake lines, frame, bodywork, suspension, and any wiring, etc. If there is any interference detected, relocate, or adjust to provide adequate clearance.
8. Ensure all clamp connections are secure and components are unable to rotate or slide. Band clamps require approximately 45 lb-ft (60 Nm) of torque. Verify clearances, system security and band clamp torque after 30-60 miles (50-100 km) of driving

**Congratulations!** You are ready to begin experiencing the improved power, sound and driving excitement of your MBRP performance exhaust system. We know you will enjoy your purchase.