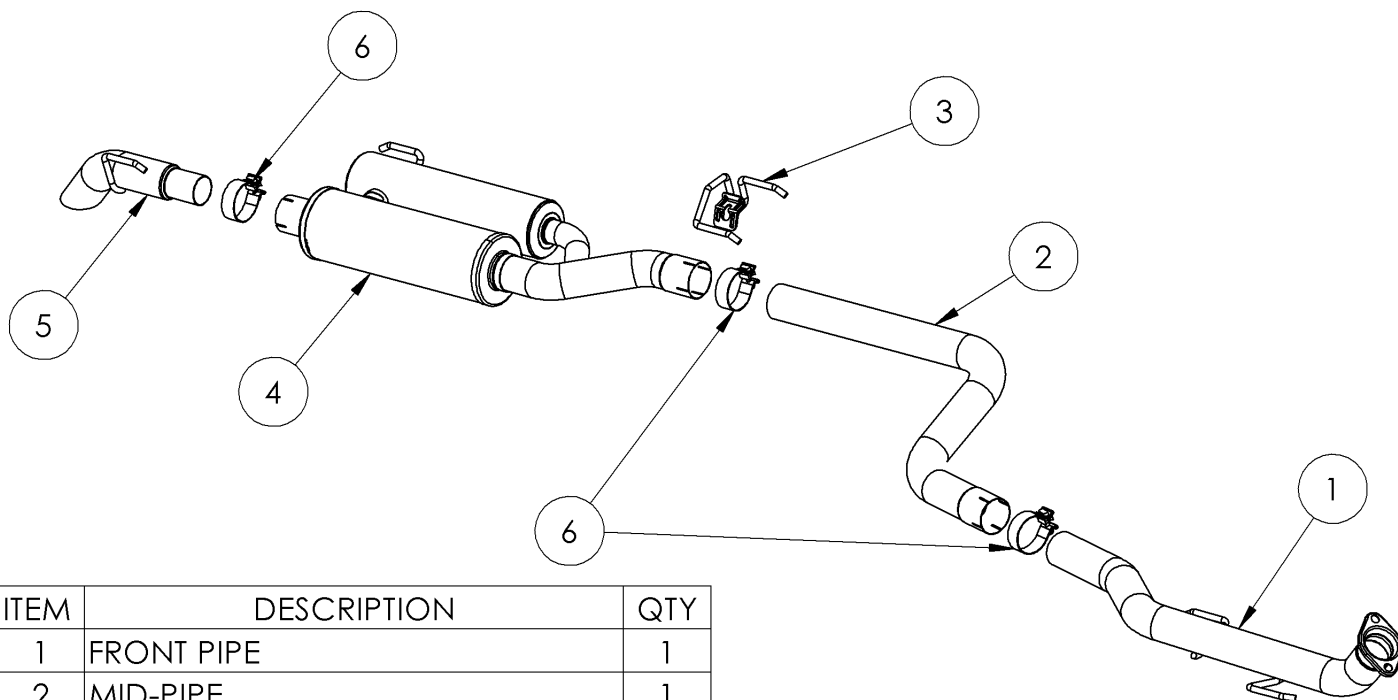


S5325

2024-UP TACOMA, 2.4L INCL. HYBRID,
CAT-BACK, 3.0" TURN DOWN PRE-AXLE

MBRP®



ITEM	DESCRIPTION	QTY
1	FRONT PIPE	1
2	MID-PIPE	1
3	HANG TIGHT™ HANGER	1
4	MUFFLER	1
5	TURN-DOWN PIPE	1
6	3.0" CLAMP	3

Refer to this LOT NUMBER when contacting customer service: _____

PLEASE READ BEFORE STARTING INSTALLATION

While MBRP has made every effort to ensure that all components of this system are of superior quality and properly packaged, it is the installer's responsibility to ensure the following before removal of the factory exhaust:

- that ALL components shown above are present.
- that ALL mating components fit together.
- that there are no damaged components.
- that the system you have purchased is appropriate for your vehicle year, model and configuration.
- that the system will not interfere with any modifications previously installed or planned.
- that you have read and understand these instructions.

If you have any questions or are uncertain about any aspect of the installation of this system to your vehicle please contact your dealer before commencing installation.

MBRP

Removal of Stock System



Figure 1

1. Apply penetrating lubricant liberally to all exhaust fasteners, hangers, and rubber insulators.
2. Lower the spare tire. The truck must be supported to allow the rear axle to droop and provide clearance for removal of the factory tail pipe. Refer to Figure 1.



Figure 2

3. Unbolt the factory tail pipe and remove the rubber insulators from the rear section of the exhaust and remove the tail pipe from the vehicle. Repeat for the muffler assembly. Retain all rubber insulators for the installation. Raise the spare tire back into storage position.
4. Remove the bolts and springs from the catalytic converter flange and remove the front section of the factory exhaust with the rubber insulators. Retain the bolts and springs for the installation. Refer to Figure 2.

Installation of MBRP Performance Exhaust



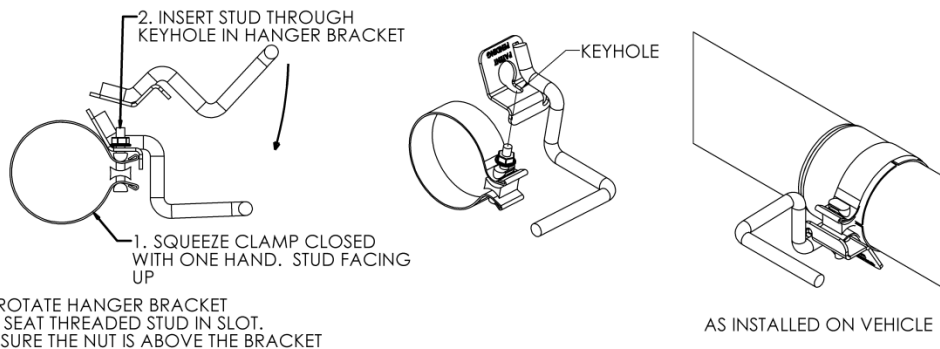
Figure 3

1. Using the factory gasket and hardware, loosely attach the **Front Pipe** onto the catalytic converter flange and reinstall the rubber insulators. Refer to Figure 3.



Figure 4

2. Install the **Hang Tight™ Hanger** onto a **3.0" Band Clamp** using the procedure shown below. (Hang Tight™ Hanger not exactly as shown)



3. Using the two factory rubber insulators, install the **Hang Tight™ Hanger Clamp** onto the vehicle hangers. Refer to Figures 4 & 6.

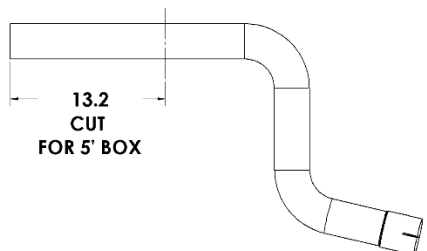


Figure 5

4. The **Mid-Pipe** must have 13.2" cut off for trucks with the 5' box (131.9" wheelbase). Do not cut for 6' box trucks (145.1' wheelbase). Refer to Figure 5.

MBRP



Figure 6

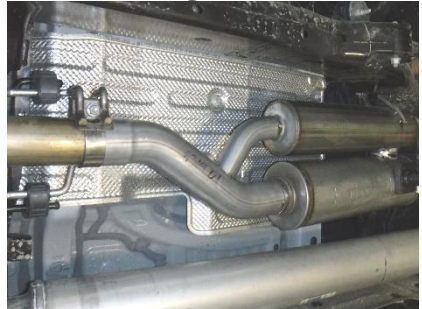


Figure 7



Figure 8



Figure 9

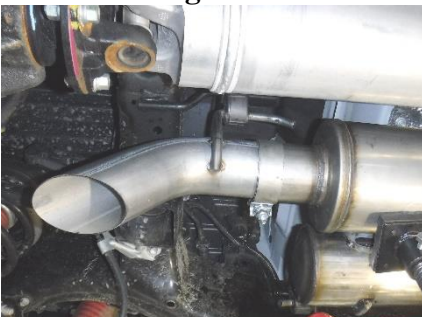


Figure 10

5. Place **Mid-Pipe** into the **Hang Tight™ Hanger Clamp** and loosely install the **Mid-Pipe** onto the **Front Pipe** using a **3.0" Clamp**. Refer to **Figure 6**.

6. Loosely install the **Muffler** onto the **Mid-Pipe** using the **Hang Tight™ Hanger Clamp**. Refer to **Figure 7**.

7. Install the factory rubber insulator onto the **Muffler** hanger and onto the vehicle. Refer to **Figure 8**.

8. Install the factory over-axle rubber insulator onto the **Turn-Down Pipe**. Refer to **Figure 9**.

9. Using a **3.0" Clamp**, loosely install the **Turn-Down Pipe** into the **Muffler**. Reinstall the factory rubber insulator onto the vehicle. Refer to **Figure 10**.

10. Carefully align the system. Align the edge of each band clamp with the edge of the joint it is connecting. Tighten all hardware and clamps, starting at the front and working rearward to secure the system. Check along the full length of the exhaust system to ensure there is adequate clearance for fuel lines, vent lines, brake lines, frame, bodywork, suspension and any wiring, etc. If there is any interference detected, relocate or adjust to provide adequate clearance. Ensure all clamp connections are secure and components are unable to rotate or slide. Band clamps (excluding tip hardware) require approximately 45 lb-ft (60 N-m) of torque. Verify clearances, system security and band clamp torque after 30-60 miles (50-100 km) of driving.



Congratulations! You are ready to begin experiencing the improved power, sound and driving experience of your **MBRP** Performance Exhaust.

We know you will enjoy your purchase!