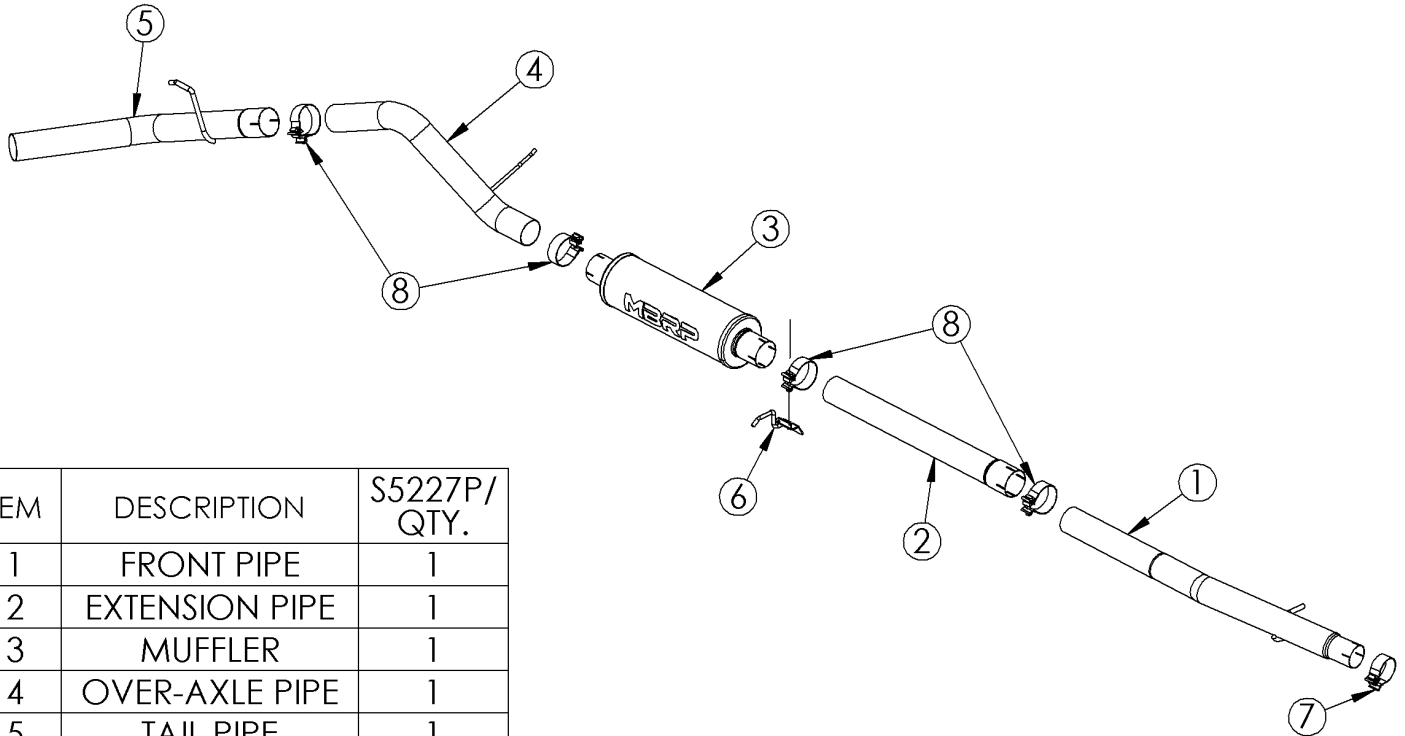


# S5227P

2019-2023, FORD RANGER, 2.3L ECOBOOST,  
CAT BACK, 3" SINGLE SIDE

# MBRP®



ITEM	DESCRIPTION	S5227P/ QTY.
1	FRONT PIPE	1
2	EXTENSION PIPE	1
3	MUFFLER	1
4	OVER-AXLE PIPE	1
5	TAIL PIPE	1
6	HANG TIGHT™ HANGER	1
7	2.5" CLAMP	1
8	3.0" CLAMP	4

Refer to this LOT NUMBER when contacting customer service: \_\_\_\_\_

## PLEASE READ BEFORE STARTING INSTALLATION

While MBRP has made every effort to ensure that all components of this system are of superior quality and properly packaged, it is the installer's responsibility to ensure the following before removal of the factory exhaust:

- that ALL components shown above are present.
- that ALL mating components fit together.
- that there are no damaged components.
- that the system you have purchased is appropriate for your vehicle year, model and configuration.
- that the system will not interfere with any modifications previously installed or planned.
- that you have read and understand these instructions.

If you have any questions or are uncertain about any aspect of the installation of this system to your vehicle please contact your dealer before commencing installation.

# MBRP

## Removal of Stock System



Figure 1

1. Apply penetrating lubricant liberally to all exhaust fasteners, hangers and rubber insulators. Remove the heat shield beside the spare tire. **Refer to Figure 1.**

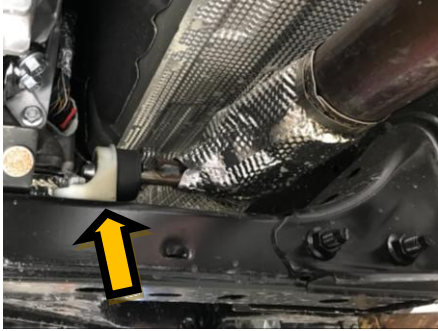


Figure 2

2. Remove the front pipe and tail pipe hangers from the vehicle. **Refer to Figure 2 & 3.**

3. Remove the remaining hangers from the rubber insulators and loosen the factory clamps. Remove the exhaust from the vehicle.

## Installation of MBRP Performance Exhaust:

1. Install the factory hanger insulator onto the **Front Pipe** hanger. **Refer to Figure 4.**



Figure 3

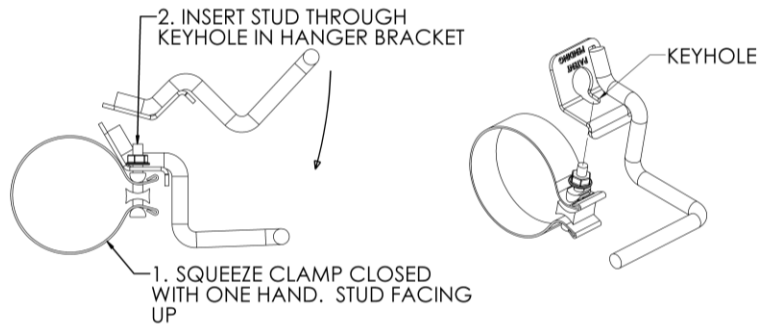
2. Using the **2.5" Clamp** install the **Front Pipe** onto the factory down pipe. Re-install the factory hanger insulator. **Refer to Figure 5.**

3. Using one of the **3.0" Band Clamps** install the **Extension Pipe** onto the **Front Pipe**.

4. Install the **Hanger Bracket** (hanger bracket not exactly as shown) onto a **3.0" Band Clamps** using the procedure shown below. Hang the hanger assembly in the factory rubber insulator. The insulator is located right beside where the front of the factory muffler was located. (hanger bracket not exactly as shown)



Figure 4



# MBRP



**Figure 5**

5. Using the hanger assembly from step 4 install the **Muffler** onto the **Extension Pipe**.

6. Using a **3.0" Band Clamp** install the **Over-Axle Pipe** into the **Muffler** and into the factory insulator.  
**Refer to Figure 6.**

7. Install the factory rubber insulator onto the **Tail Pipe** hanger.  
**Refer to Figure 7.**



**Figure 6**

8. Using the remaining **3.0" Band Clamp** install the **Tail Pipe** onto the **Over-Axle Pipe**. Re-install the factory hanger insulator.

9. Re-install the heat shield.

10. Carefully align the system and tip. Align the edge of each band clamp with the edge of the joint it is connecting. Tighten all hardware and clamps, starting at the front and working rearward to secure the system. Check along the full length of the exhaust system to ensure there is adequate clearance for fuel lines, vent lines, brake lines, frame, bodywork, suspension, and any wiring, etc. If there is any interference detected, relocate, or adjust to provide adequate clearance. Ensure all clamp connections are secure and components are unable to rotate or slide. Band clamps require approximately 45 lb-ft (60 N-m) of torque. Verify clearances, system security and band clamp torque after 30-60 miles (50-100 km) of driving.



**Figure 7**

**Congratulations!** You are ready to begin experiencing the improved power, sound and driving experience of your **MBRP** performance exhaust system.  
We know you will enjoy your purchase.