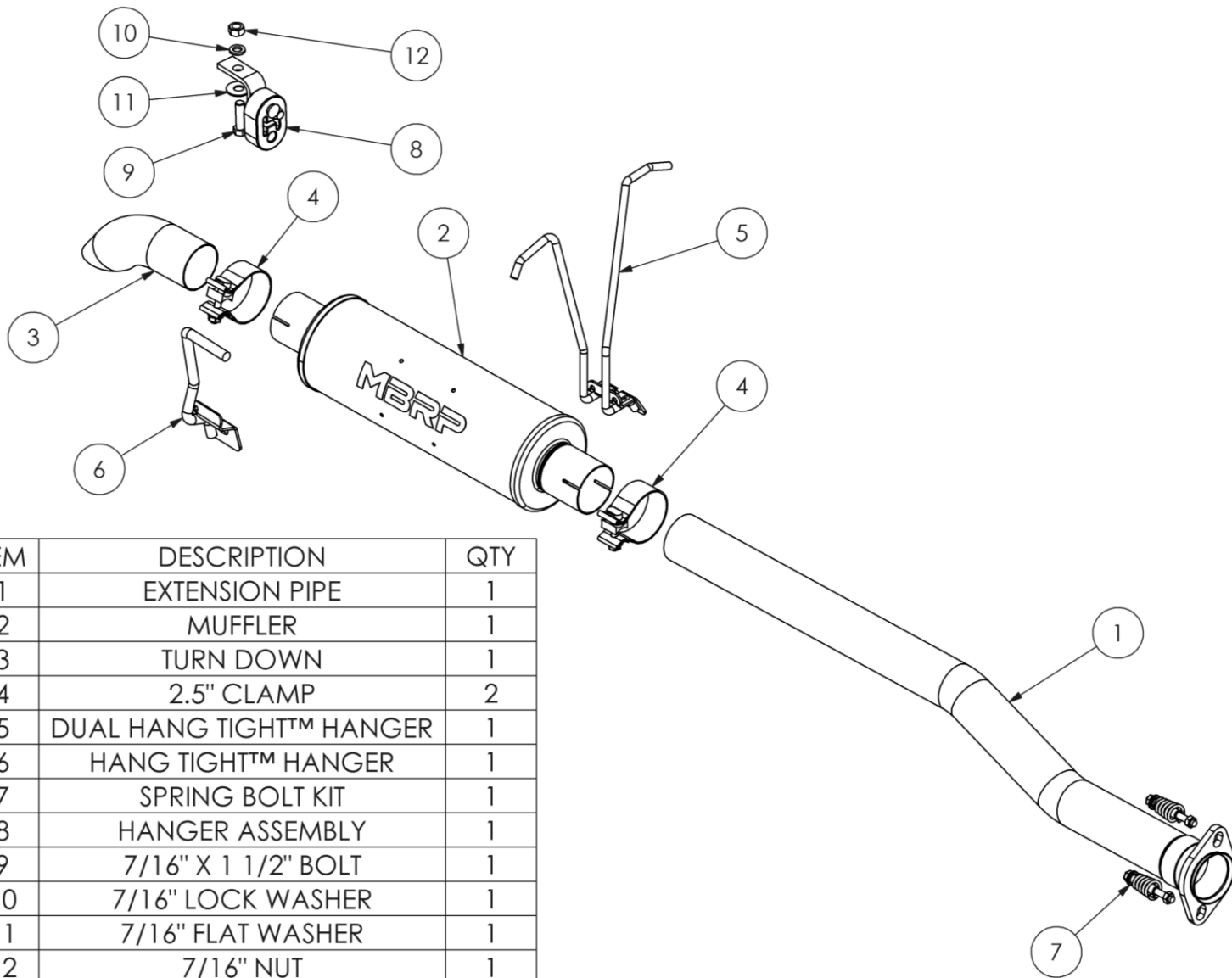


S5224

1998-2011 FORD RANGER,
1998-2009 MAZDA B3000/B4000,
3.0L / 4.0L V6,
2.5" CAT-BACK, TURN DOWN

MBRP®



ITEM	DESCRIPTION	QTY
1	EXTENSION PIPE	1
2	MUFFLER	1
3	TURN DOWN	1
4	2.5" CLAMP	2
5	DUAL HANG TIGHT™ HANGER	1
6	HANG TIGHT™ HANGER	1
7	SPRING BOLT KIT	1
8	HANGER ASSEMBLY	1
9	7/16" X 1 1/2" BOLT	1
10	7/16" LOCK WASHER	1
11	7/16" FLAT WASHER	1
12	7/16" NUT	1

PLEASE READ BEFORE STARTING INSTALLATION

While MBRP has made every effort to ensure that all components of this system are of superior quality and properly packaged, it is the installer's responsibility to ensure the following before removal of the factory exhaust:

- that ALL components shown above are present.
- that ALL mating components fit together.
- that there are no damaged components.
- that the system you have purchased is appropriate for your vehicle year, model and configuration.
- that the system will not interfere with any modifications previously installed or planned.
- that you have read and understand these instructions.

If you have any questions or are uncertain about any aspect of the installation of this system to your vehicle please contact your dealer before commencing installation.

MBRP

Removal of Stock System



Figure 1

1. Apply a penetrating lubricant liberally to all exhaust fasteners, hangers and rubber insulators.

2. Remove the bolts and springs holding the front flange together and disconnect the exhaust system. **Refer to Figure 1.**

3. Remove the hangers from the rubber insulators and remove the exhaust from the vehicle. **Refer to Figures 2 & 3.**



Figure 2

Installation of MBRP Performance Exhaust:

1. Loosely attach the **Extension Pipe** to the flange using the **Shank Bolts** and **Springs** provided. **Refer to Figure 4.**

Note: The **Extension Pipe** will need to be trimmed on some models. **Refer to Figure 5.**

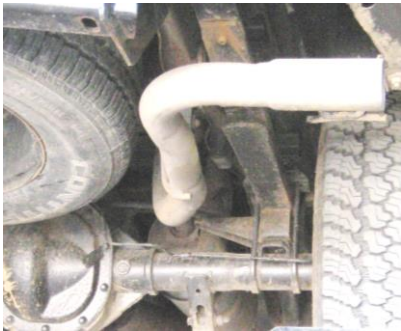


Figure 3

2. Install the **Dual Hang Tight™ Hanger** onto a **2.5" Band Clamp** using the procedure shown in **Figure 6.** (Hang Tight™ Hanger not exactly as shown).

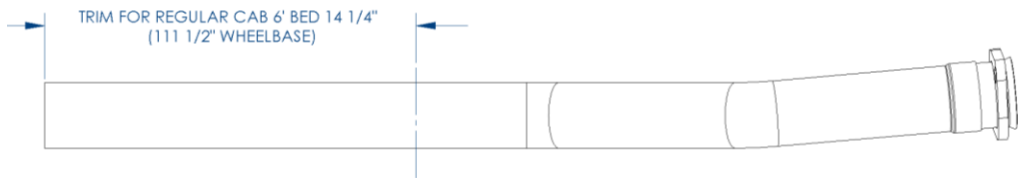


Figure 5



Figure 4

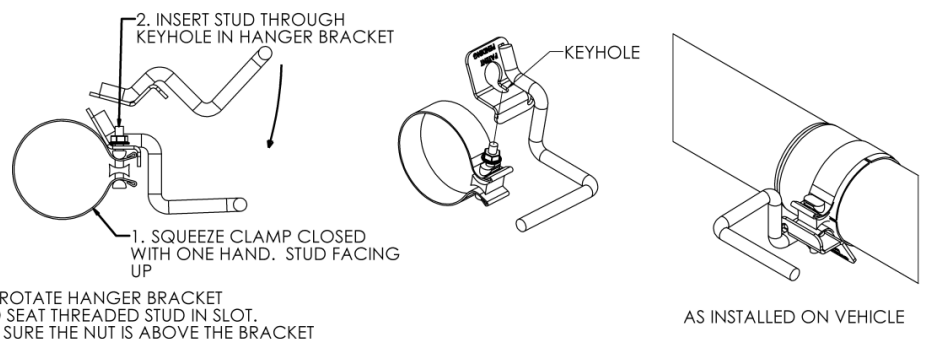


Figure 6

MBRP

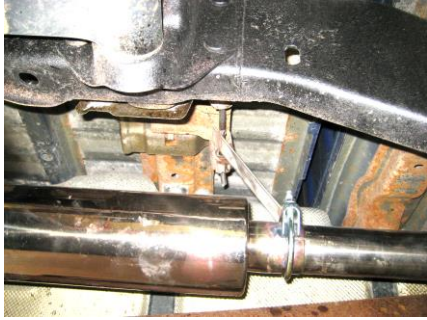


Figure 7

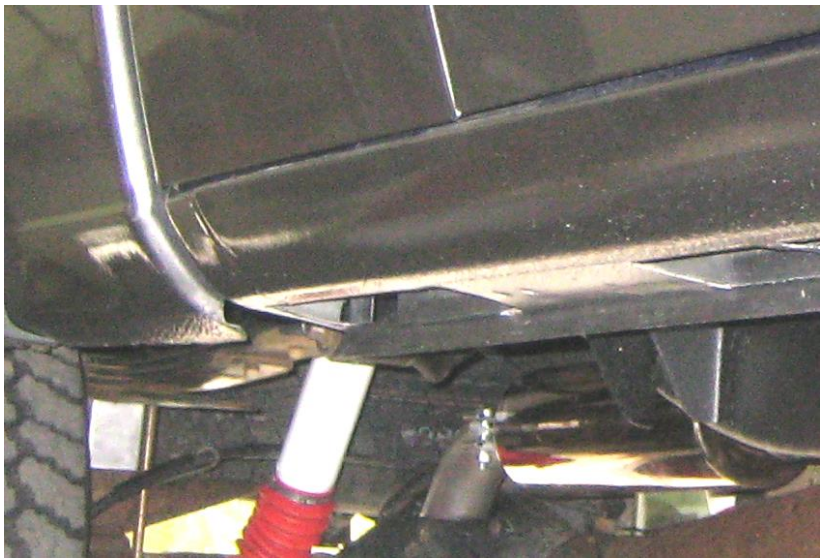


Figure 8



Figure 9

(Hanger may not be as shown)



3. Install the **Muffler** onto the **Extension Pipe** using the **Hang Tight™ Hanger**. Then install the **Hang Tight™ Hanger** into the factory rubber insulator. Do not tighten the clamp at this time. **Refer to Figure 7.**

4. Loosely install the **Turn Down** connecting it to the **Muffler** outlet with the **Hang Tight™ Hanger**. Install the **Hanger Assembly** to the **Hang Tight™ Hanger** and to an existing hole in the frame using the fasteners provided. **Refer to Figures 8 & 9.**

5. Carefully align the system and tip. Align the edge of each band clamp with the edge of the joint it is connecting. Tighten all hardware and clamps, starting at the front and working rearward to secure the system. Check along the full length of the exhaust system to ensure there is adequate clearance for fuel lines, vent lines, brake lines, frame, bodywork, suspension and any wiring, etc. If there is any interference detected, relocate or adjust to provide adequate clearance. Ensure all clamp connections are secure and components are unable to rotate or slide. Band clamps require approximately 45 lb-ft (60 N-m) of torque. Verify clearances, system security and band clamp torque after 30-60 miles (50-100 km) of driving.

Congratulations! You are ready to begin experiencing the improved power, sound and driving experience of your **MBRP** Performance Exhaust.

We know you will enjoy your purchase!