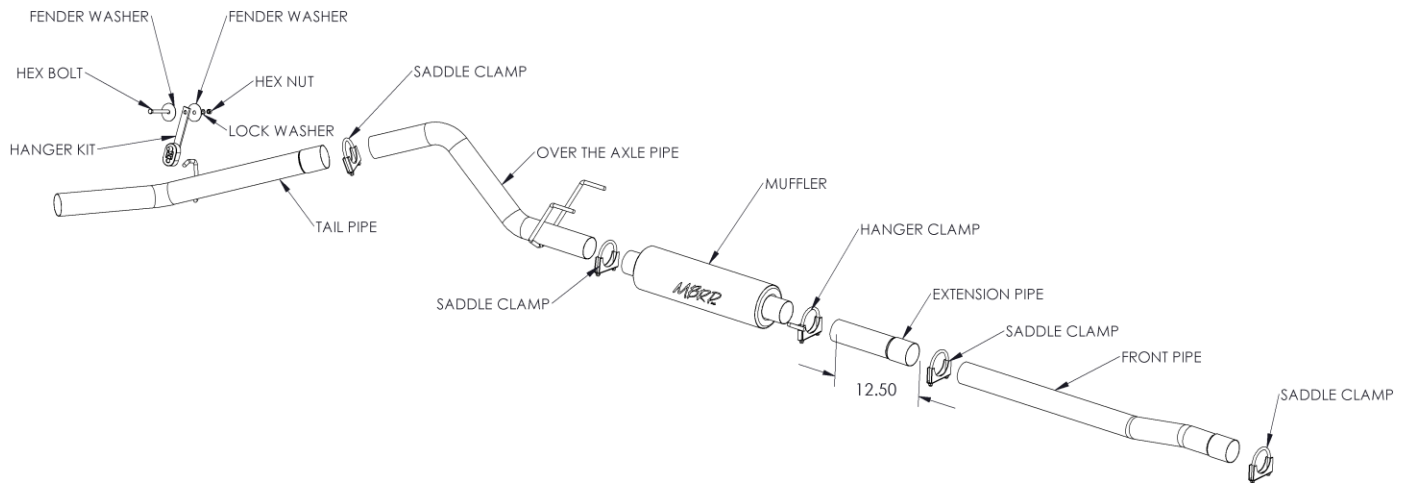


S5148P

03-13 DODGE RAM 2500/3500 & 06-08 DODGE RAM 1500 MEGA CAB, 5.7L HEMI, CAT BACK, 3" SINGLE

MBRP
INC.
PERFORMANCE EXHAUST

13 March, 2015



PLEASE READ BEFORE STARTING INSTALLATION

MBRP Inc. has made every effort to ensure that all components of this system are of superior quality and properly packaged. It is the installer's responsibility to ensure that all components are present and fit together as shown. Please also ensure that all components are undamaged before removal of the factory exhaust. Finally, check that this system properly matches the make and model of the vehicle and will not interfere with previous or planned modifications.

Removal of Stock System:

1. Apply a penetrating lubricant liberally to all exhaust fasteners, hangers and rubber insulators.
2. Remove the clamp just after the Y-pipe.
3. Remove the clamp from the rear of the muffler.
4. Remove the stock exhaust from the existing rubber isolators and remove the system from the vehicle.
5. Temporarily remove the spare tire and heat shield around the spare tire.

Installation of MBRP Inc. Performance Exhaust:

1. Install the **Front Pipe** over the existing Y using the **3" Saddle Clamp**. Leave all clamps loose enough for adjustment.
2. Slide the **3" Hanger Clamp** over the **Extension Pipe** and install the **Muffler** onto the **Extension Pipe** or **Front Pipe**. Insert the **3" Hanger Clamp** into the existing rubber insulator. **NOTE:** The **Extension Pipe** is required on 2010-Up Crew Cab 8" box only. The **Front Pipe** will have to be trimmed for: 2003-Up Regular Cab models (shortened by 20"), 2003-2009 Quad Cab 6'4" box (shortened by 20") and 2010-Up Crew Cab 6'4" box (shortened by 11").
3. Install the **Over Axle Pipe** into the **Muffler**. Install the **Over Axle Pipe** hangers into the existing rubber insulators.
4. Slide the **3" Saddle Clamp** onto the **Tail Pipe** and slide onto the **Over Axle Pipe**. Slide a **Tail Pipe** hanger into the **Hanger Assembly** rubber insulator and attach to the frame using the fasteners provided.
5. Align the exhaust as required. Starting at the front of the exhaust, tighten all clamps and connections.
6. Check along the whole length of the exhaust system to ensure that there is adequate clearance around the spare tire, fuel and brake lines or any wiring. If any interference is detected relocate or adjust.

Congratulations! You are ready to begin enjoying the improved performance and driving experience of your MBRP Inc. Performance Exhaust system. We hope you enjoy your purchase.