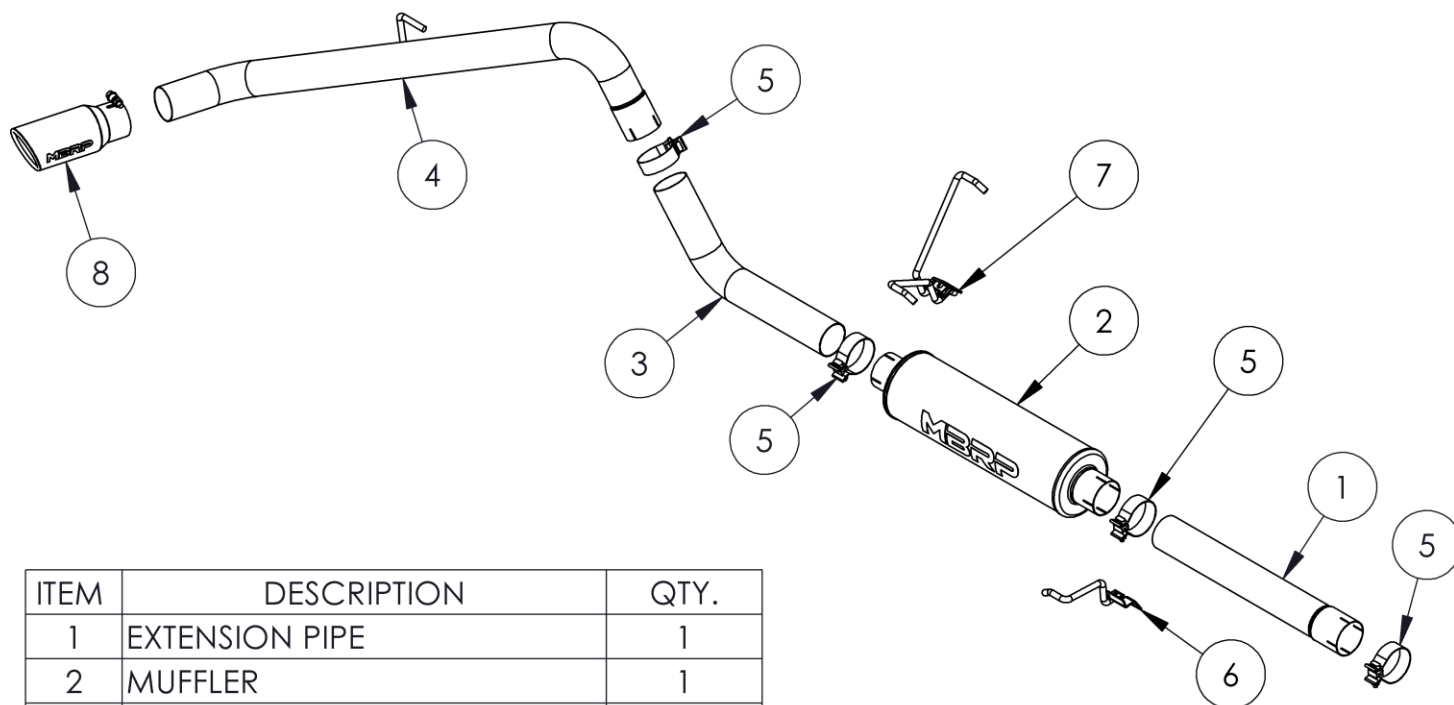


# S5102

2003 DODGE RAM 1500, 5.7L HEMI,  
REGULAR CAB / QUAD CAB SHORT BOX,  
CAT BACK, 3", SINGLE SIDE

# MBRP®



ITEM	DESCRIPTION	QTY.
1	EXTENSION PIPE	1
2	MUFFLER	1
3	OVER-AXLE PIPE	1
4	TAIL PIPE	1
5	3.0" CLAMP	4
6	HANG TIGHT™ HANGER	1
7	DUAL HANG TIGHT™ HANGER	1
8	EXHAUST TIP	1

## PLEASE READ BEFORE STARTING INSTALLATION

**While MBRP has made every effort to ensure that all components of this system are of superior quality and properly packaged, it is the installer's responsibility to ensure the following before removal of the factory exhaust:**

- that ALL components shown above are present.
- that ALL mating components fit together.
- that there are no damaged components.
- that the system you have purchased is appropriate for your vehicle year, model and configuration.
- that the system will not interfere with any modifications previously installed or planned.
- that you have read and understand these instructions.

If you have any questions or are uncertain about any aspect of the installation of this system to your vehicle please contact your dealer before commencing installation.

# MBRP

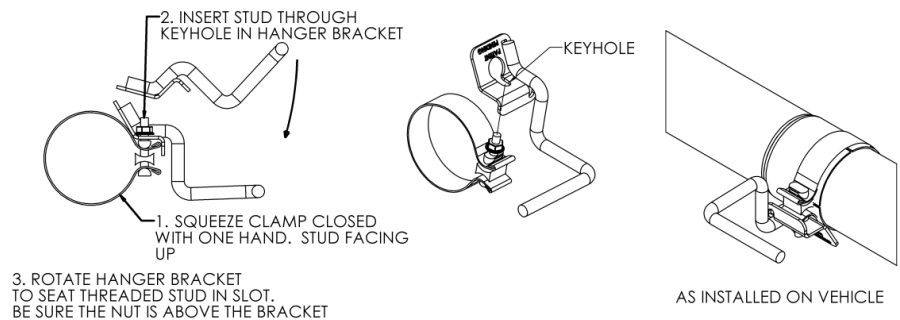
## Removal of stock system:

1. Apply a penetrating lubricant liberally to all exhaust fasteners, hangers, and rubber insulators.
2. Remove the clamp in front of the muffler and separate the exhaust at the slip joint.
3. Remove the hangers from the rubber insulators (five in total) and remove the exhaust from the vehicle. If a hoist or hydraulic lift is not available, the tail pipe may need to be cut to clear the rear axle.

## Installation of MBRP Performance Exhaust:

**NOTE:** This system does not require the removal of the spare tire.

1. Install the **Hang Tight™ Hangers** onto **3.0" Band Clamps** using the procedure shown. (Hang Tight™ Hanger not exactly as shown)



2. On Quad Cab Short Box, and Regular Cab Long Box models, install the expanded end of the **Extension Pipe** over the factory exhaust system behind the "Y" pipe using a **3" Clamp**.

3. Install the **Muffler** onto the **Extension Pipe** using the single **Hang Tight™ Hanger Clamp Assembly**. On Regular Cab Short Box vehicles, install the **Muffler** onto the factory exhaust system behind the "Y" pipe using the single **Hang Tight™ Hanger Clamp Assembly**. Install the **Hang Tight™ Hanger** into the factory rubber isolator on the frame.
4. Place the **Dual Hang Tight™ Hanger Clamp Assembly** onto the outlet of the **Muffler** and into the factory rubber isolators.
5. Insert the **Over-Axle Pipe** into the **Muffler** and loosely secure with the **Dual Hang Tight™ Hanger Clamp Assembly**.
6. Feed the **Tail Pipe** over the axle and loosely install it into the **Over-Axle Pipe** with a **3" Clamp**.
7. Install the tailpipe hanger through the factory rubber isolator.
8. Install the **Exhaust Tip**. It is recommended to install it at this point to assist with the final system alignment.
9. Align the exhaust as required and adjust the Exhaust Tip to your liking.
10. Tighten all hardware and clamps, starting at the front and working rearward to secure the system. Check along the full length of the exhaust system to ensure there is adequate clearance for fuel lines, vent lines, brake lines, frame, bodywork, suspension, and any wiring, etc. If there is any interference detected, relocate, or adjust to provide adequate clearance. Ensure all clamp connections are secure and components are unable to rotate or slide. Band clamps require approximately 45 lb-ft (60 N-m) of torque. Verify clearances, system security and band clamp torque after 30-60 miles (50-100 km) of driving.

**Congratulations!** You are ready to begin enjoying the improved performance and driving experience of your **MBRP Performance Exhaust** system. We hope you enjoy your purchase.