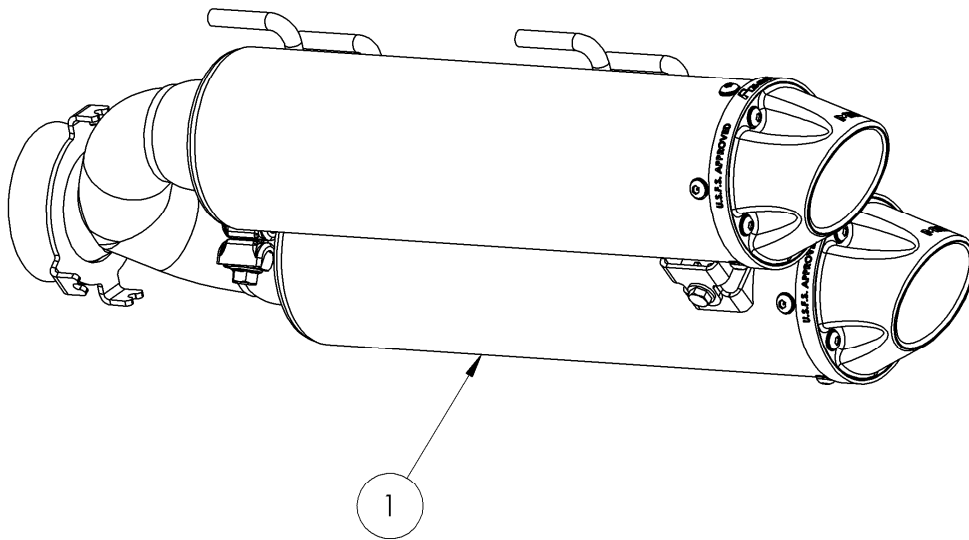


# AT-9706PT

2015-2019, ARCTIC CAT WILDCAT X,  
DUAL SLIP-ON

# MBRP®



## 1. MUFFLER ASSEMBLY

### PLEASE READ BEFORE STARTING INSTALLATION

**While MBRP Ltd. has made every effort to ensure that all components of this system are of superior quality and properly packaged, it is the installer's responsibility to ensure the following before removal of the factory exhaust:**

- that ALL components shown above are present.
- that ALL mating components fit together.
- that there are no damaged components.
- that the system you have purchased is appropriate for your vehicle year, model and configuration.
- that the system will not interfere with any modifications previously installed or planned.
- that you have read and understand these instructions.

If you have any questions or are uncertain about any aspect of the installation of this system to your vehicle please contact your dealer before commencing installation.

## Removal of Stock Exhaust:

1. If your vehicle is equipped with a rear bumper, remove the bumper by removing the three mounting bolts.  
**Refer to Figure 1.**
2. Unhook the four muffler retention springs. The springs will be re-used for installation.  
**Refer to Figure 2.**
3. Remove the muffler by sliding the hangers out of the rubber isolators.  
**Refer to Figure 3.**



Figure 1



Figure 2

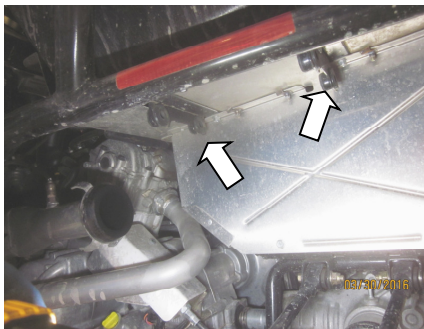


Figure 3



Figure 4



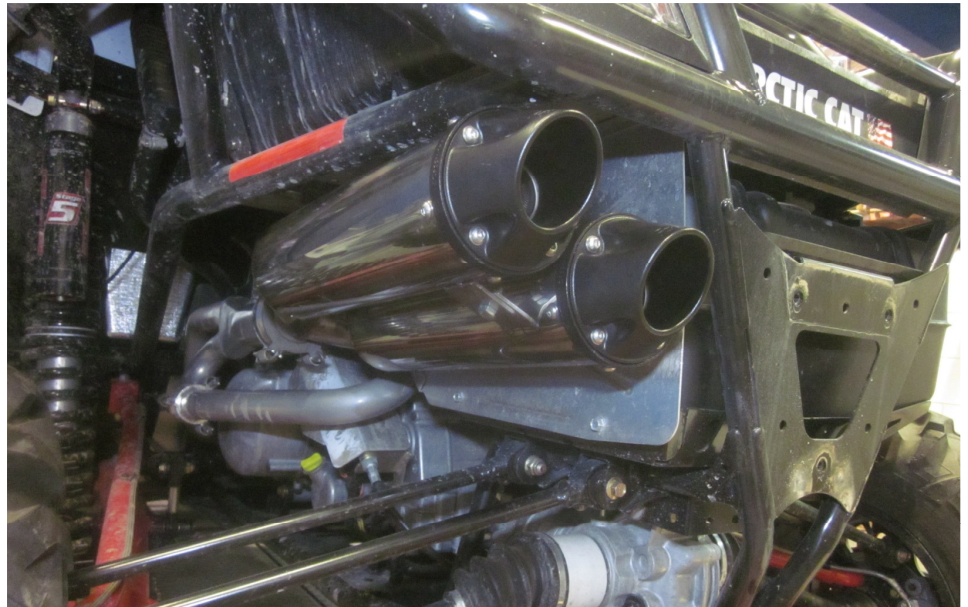
Figure 5

## Installation of MBRP Exhaust:

1. Slide the hanger rods into the rubber isolators on the vehicle and mate the **Muffler Assembly** inlet pipe to the end of the exhaust pipe.  
\*If necessary, the inlet y-pipe can be adjusted by loosening the muffler inlet clamps.  
**Refer to Figure 4.**
2. Install the factory muffler retention springs.  
**Refer to Figure 5.**
3. If so equipped, re-install the rear bumper.  
**Refer to Figure 1.**

### **Note:**

It is recommended that the muffler screws be retightened after the first ride and checked periodically thereafter, tightening if necessary.



**Congratulations!** You are ready to begin experiencing the improved performance and driving excitement of your MBRP Ltd. ATV Exhaust upgrade. We know you will enjoy your purchase.



**Figure 1**



**Figure 2**



**Figure 3**



**Figure 4**

## Spark Arrestor Maintenance

In order to maintain optimal performance, the spark arrestor screen should be cleaned after every 30-35 hours of use.

### Clean-out Instructions:

Make sure the vehicle is cool before completing the clean-out procedure.

1. Using a 4mm hex key, remove the 4 screws securing the outlet cap or tip. **(Figure 1)**
2. Remove the outlet cap to expose the spark arrestor screen insert. **(Figure 2)**
3. Remove the screen insert. **(Figure 3)**
4. Using a wire brush, thoroughly brush the screen to remove residue. **(Figure 4)**
5. Replace the screen and cap.
6. Tighten the screws to 60 in-lbs (6.8 Nm).