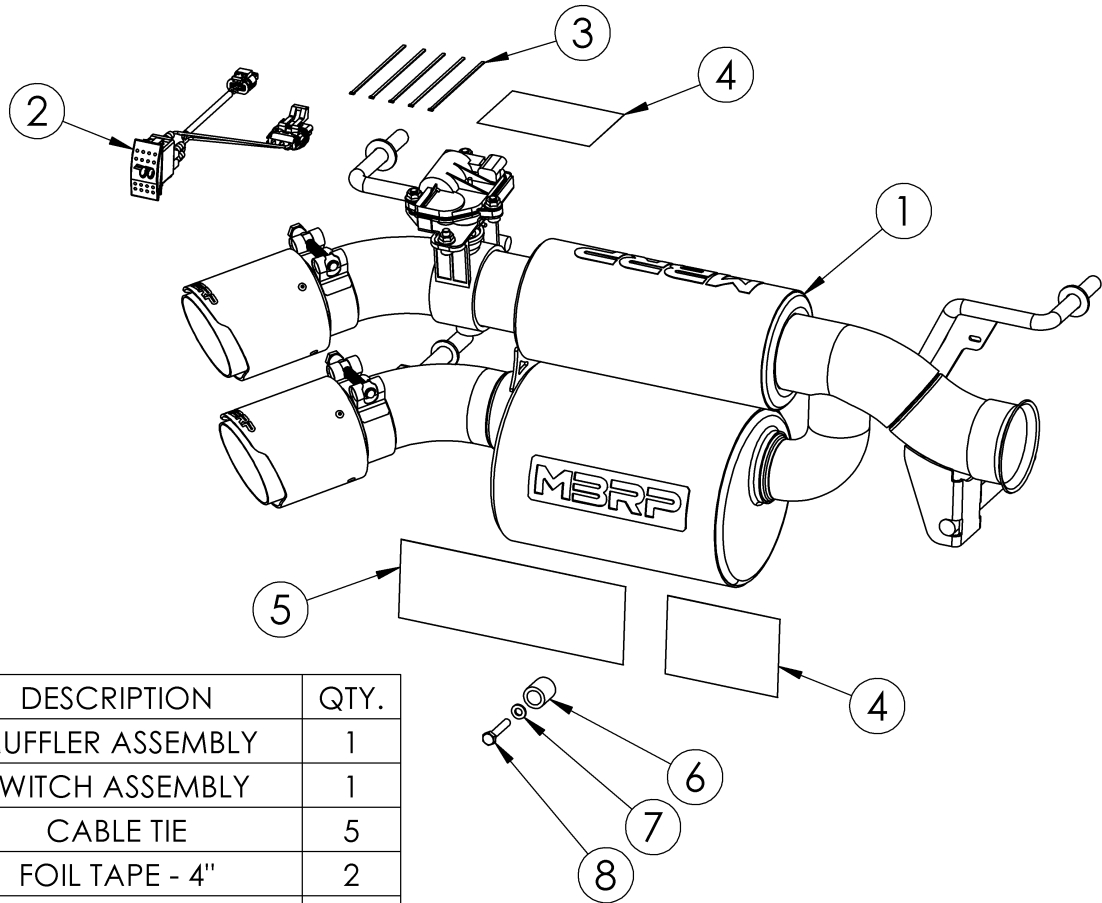


AT-9536AS

ACTIVE EXHAUST, SLIP-ON, DUAL-OUT
2024-UP POLARIS RZR XP 1000

MBRP®



ITEM NO.	DESCRIPTION	QTY.
1	MUFFLER ASSEMBLY	1
2	SWITCH ASSEMBLY	1
3	CABLE TIE	5
4	FOIL TAPE - 4"	2
5	FOIL TAPE - 8"	1
6	SPACER	1
7	WASHER	1
8	M6 BOLT	1

Refer to this LOT NUMBER when contacting customer service: _____

PLEASE READ BEFORE STARTING INSTALLATION

While MBRP has made every effort to ensure that all components of this system are of superior quality and properly packaged, it is the installer's responsibility to ensure the following before removal of the factory exhaust:

- that ALL components shown above are present.
- that ALL mating components fit together.
- that there are no damaged components.
- that the system you have purchased is appropriate for your vehicle year, model and configuration.
- that the system will not interfere with any modifications previously installed or planned.
- that you have read and understand these instructions.

If you have any questions or are uncertain about any aspect of the installation of this system to your vehicle please contact your dealer before commencing installation.

MBRP

Removal of Stock Exhaust:

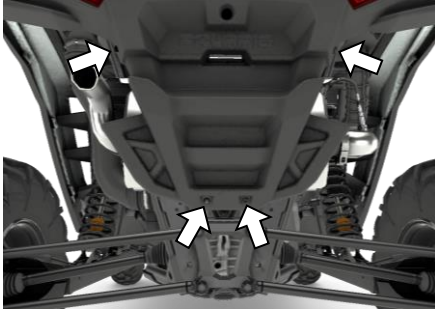


Figure 1



Figure 2



Figure 3



Figure 4

* **Retain all factory hardware for final installation.**

1. If equipped, remove the rear bumper.
2. Remove the four (4) fasteners securing the lower portion of the rear fascia. This will allow the panel to flex as needed to remove the stock muffler. **Refer to Figure 1.**
3. Remove the fascia bottom bracket by removing the fastener securing it to the vehicle frame. **Refer to Figure 2.**
4. Loosen and remove the v-band clamp securing the muffler inlet to the exhaust pipe and disconnect the joint. Leave the gasket on the vehicle exhaust pipe. **Refer to Figure 3.**
5. Remove the two (2) springs (one on either side of the muffler body) that secure the muffler to the vehicle.
6. Remove the muffler by sliding the hangers rearward, out of the rubber isolators.

Installation of MBRP Exhaust:

1. Slide the hanger rods into the rubber isolators on the vehicle and mate the **Muffler Assembly** inlet pipe to the end of the exhaust pipe.
2. Secure the **Muffler Assembly** by reinstalling the (2) previously removed springs to the tabs attached to the top hanger rods. **Refer to Figure 4.**
3. Secure the inlet to the front pipe using the stock v-band clamp that was removed previously.

NOTE: The valve **Switch Assembly** is mounted into one of the open switch slots in the center dash panel and is connected to the exhaust valve and the auxiliary PULSE bar (power).

4. Remove the cover from the desired switch slot in the dash panel. The wiring will feed through this opening to the two connection locations. **Refer to Figure 5.**
5. Route the power connection (shorter cable) straight ahead from behind the dash and up, into the PULSE bar compartment (accessed by removing the panel at the top of the hood). Connect it to an unused accessory terminal on the PULSE bar. **Refer to Figure 5.**

NOTE: The wiring to the exhaust valve is routed down from behind the dash, and back through the centre console (installed from the driver-side of the vehicle).

6. In order to route the cable to the exhaust valve, first take out the driver and passenger seats. Next, remove the screws and push-pins that secure the centre console. This will allow the centre console panel to be lifted for access underneath. **Refer to Figure 6.**
7. Starting behind the dash and close to the gas pedal, feed the cable under the centre console panel edge and then back through the centre console. Follow the main wiring harness out through to the back of the vehicle. **Refer to Figure 7.** On 4-seat models, the rear seats and centre console panel will also need to be removed.
8. Route the cable out to the exhaust valve with a path that keeps it up and out of the way. Push the connector into the socket on the valve and lock it in place.
9. Use the supplied cable ties to secure the cable away from any hot or moving parts. Note that on the 2-seat models there will be extra cable length; coil and tie the extra cable out of the way.

MBRP



Figure 5

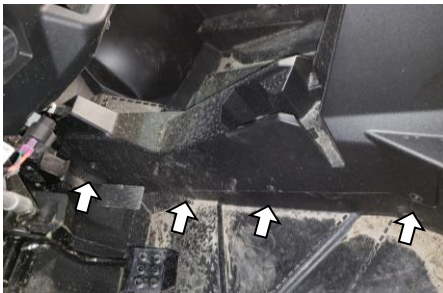


Figure 6

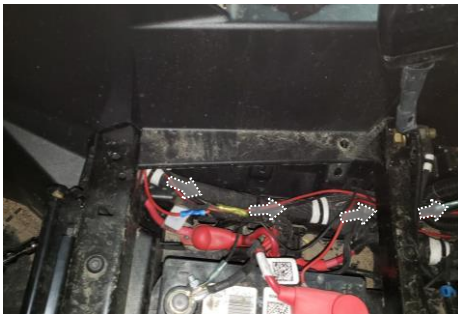


Figure 7



Figure 8

10. Test the exhaust valve for proper operation, then replace the centre console panels, fasteners and seats.

11. Install the **8" Foil Tape** and the **4" Foil Tape** to the inside of the rear panel along the recessed sections nearest to the muffler. **Refer to Figure 8.** Use the **4" Foil Tape** to cover the wire connection (and wire) at the top of the valve.

12. Reinstall the rear fascia bottom bracket to the fascia panel. Use the supplied **Spacer** between the vehicle frame and the bracket, securing them with the **M6 Bolt** and **Washer**. **Refer to Figure 8.**

Note: In order to maintain optimal performance, the spark arrestor screens should be removed and cleaned after every 30-35 hours of use. The fastener that secures each spark arrestor is accessed through the hole in the bottom of each tip.



Congratulations! You are ready to begin experiencing the improved performance and driving excitement of your **MBRP** SXS Exhaust upgrade. We know you will enjoy your purchase.