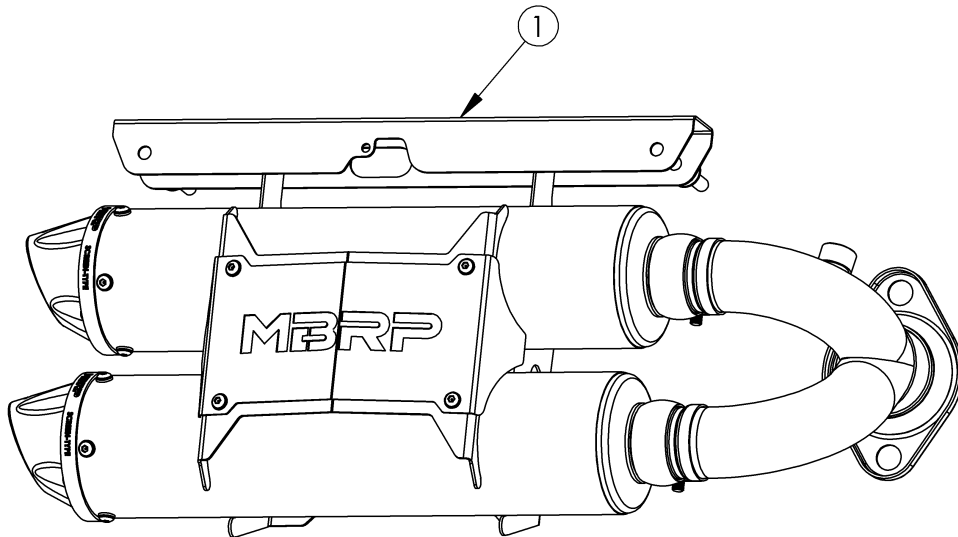


## AT-9522PT

SLIP-ON EXHAUST ASSEMBLY  
2018-2023 POLARIS RZR XP 1000  
2018-2022 POLARIS RZR RS1

# MBRP®



### 1. MUFFLER ASSEMBLY

## PLEASE READ BEFORE STARTING INSTALLATION

While MBRP Ltd. has made every effort to ensure that all components of this system are of superior quality and properly packaged, it is the installer's responsibility to ensure the following before removal of the factory exhaust:

- that ALL components shown above are present.
- that ALL mating components fit together.
- that there are no damaged components.
- that the system you have purchased is appropriate for your year and model of SXS.
- that the system will not interfere with any modifications previously installed or planned.
- that you have read and understand these instructions.

If you have any questions or are uncertain about any aspect of the installation of this system to your SXS please contact your dealer before commencing installation.

# MBRP®

## Removal of Stock Exhaust:

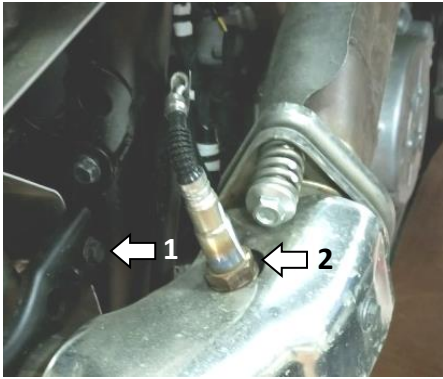


Figure 1

1. Remove the muffler cover by removing the four (4) screws securing the cover brackets to the vehicle. **Refer to Figure 1.**

2. Remove the O2 sensor from the muffler inlet pipe. It will be reused. **Refer to Figure 1.**

3. Remove bolts and springs securing the muffler inlet to the exhaust pipe. Do not discard them. **Refer to Figure 2.**

4. Remove the upper and lower springs securing the muffler to the vehicle. Do not discard the springs. **Refer to Figure 3.**

5. Remove the muffler by sliding the hangers out of the rubber isolators.

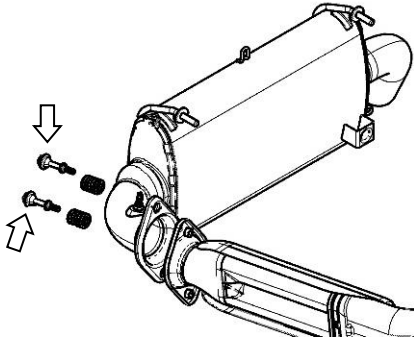


Figure 2

## Installation of MBRP Powersports Exhaust:

Note: Leaving the stock heat shield in place between the muffler and the vehicle will require trimming on some models.

1. Slide the hanger rods into the rubber isolators on the vehicle and mate the **Muffler Assembly** inlet pipe to the end of the exhaust pipe. **Refer to Figure 4.**

\*If necessary, the position of the muffler support bracket can be adjusted by removing the logo plate and loosening the two (2) 8mm bolts holding the brackets together. Also, the inlet y-pipe can be adjusted by loosening the muffler inlet clamps.

2. Secure the **Muffler Assembly** by first attaching the previously removed spring at the top location, using the mounting hole in the support bracket.

3. Secure the inlet using the previously removed stock bolts and springs.

4. Re-install the last spring using the tab attached to the lower muffler shell. **Refer to Figure 5.**

5. Finally, replace the O2 sensor in the provided bung on the inlet pipe.

It is recommended that the muffler screws be retightened after the first ride and checked periodically thereafter, tightening if necessary.



Figure 3



Figure 4



Figure 5



**Congratulations!** You are ready to begin experiencing the improved performance and driving excitement of your MBRP Powersports SXS Exhaust upgrade. We know you will enjoy your purchase.

## Spark Arrestor Maintenance

In order to maintain optimal performance, the spark arrestor screen should be cleaned after every 30-35 hours of use.



**Figure 1**



**Figure 2**



**Figure 3**



**Figure 4**

## Clean-out Instructions:

Make sure the vehicle is cool before completing the clean-out procedure.

1. Using a 4mm hex key, remove the 4 screws securing the outlet cap or tip. **(Figure 1)**
2. Remove the outlet cap to expose the spark arrestor screen insert. **(Figure 2)**
3. Remove the screen insert. **(Figure 3)**
4. Using a wire brush, thoroughly brush the screen to remove residue. **(Figure 4)**
5. Replace the screen and cap.
6. Tighten the screws to 60 in-lbs (6.8 Nm).