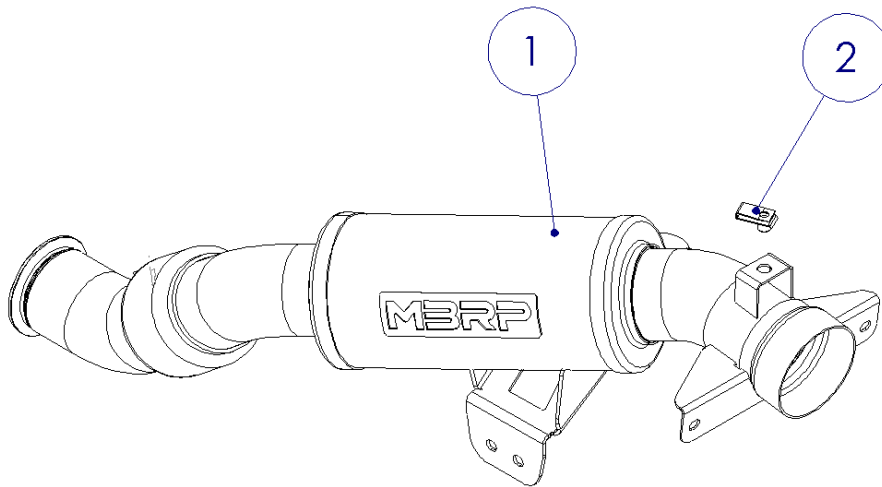


AT-9219PT
3" SINGLE, PERFORMANCE SERIES
2024-UP CAN-AM MAVERICK R,
TURBO BACK



ITEM	DESCRIPTION	QTY
1	MUFFLER ASSEMBLY	1
2	M8 PANEL NUT	1

Refer to this LOT NUMBER when contacting customer service: _____

PLEASE READ BEFORE STARTING INSTALLATION

While MBRP has made every effort to ensure that all components of this system are of superior quality and properly packaged, it is the installer's responsibility to ensure the following before removal of the factory exhaust:

- that ALL components shown above are present.
- that ALL mating components fit together.
- that there are no damaged components.
- that the system you have purchased is appropriate for your vehicle year, model and configuration.
- that the system will not interfere with any modifications previously installed or planned.
- that you have read and understand these instructions.

If you have any questions or are uncertain about any aspect of the installation of this system to your vehicle please contact your dealer before commencing installation.

MBRP

Removal of Stock Exhaust



Figure 1

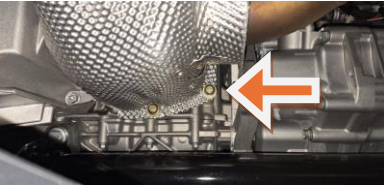


Figure 2

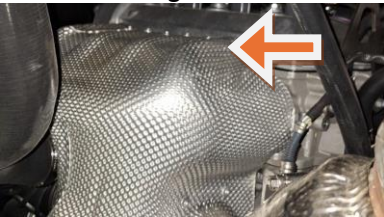


Figure 3



Figure 4



Figure 5



Figure 6



Figure 7



Figure 8

1. Remove the OEM tip and spark arrestor from the OEM muffler.
2. Remove both upper sway bar links from the sway bar. Lower the bar down to provide clearance for muffler removal.
Refer to Figure 1.
3. Remove the muffler inlet and exhaust pipe heatshields.
4. Remove 2 bolts along the bottom of the lower turbo heatshield. Remove the shield.
Refer to Figure 2.
5. Remove 4 bolts along the top of the upper turbo heatshield at the cylinder head. Lift the shield to expose the V band Clamp.
Refer to Figure 3.
6. Remove all exhaust springs followed by the v-band clamp. Disconnect the O2 sensor wiring and remove the exhaust pipe.
7. Remove 4 bolts from the OEM muffler mount and remove the assembly from the left side of the SxS.

Installation of MBRP Exhaust:

1. Remove the O2 sensor from the OEM exhaust and install on the **Muffler Assembly**.
Refer to Figure 4.
2. Place the OEM V-Band Clamp over the flare on the **Muffler Assembly** before installing it. Secure it with the previously removed stock bolts through the mounting bracket and into the stock mounts. NOTE; Only 3 of the 4 mounting points are used.
Refer to Figure 5.
3. Tighten the V-Band clamp being sure the pilot diameter of the flare is properly located inside the turbo housing. Reconnect the O2 sensor connector.
4. Install the **M8 Panel Nut** onto the tip's center mounting bracket. Install the OEM Spark Arrestor into the outlet of the **Muffler Assembly** followed by the OEM Tip. Secure the Tip in position with the previously removed hardware.
Refer to Figures 6, 7, and 8.
5. Re-install the upper turbo heatshield followed by the lower turbo heatshield with the previously removed hardware.
6. Re-Install both upper sway bar links.

Congratulations! You are ready to begin experiencing the improved performance and driving excitement of your MBRP SXS Exhaust upgrade. We know you will enjoy your purchase.