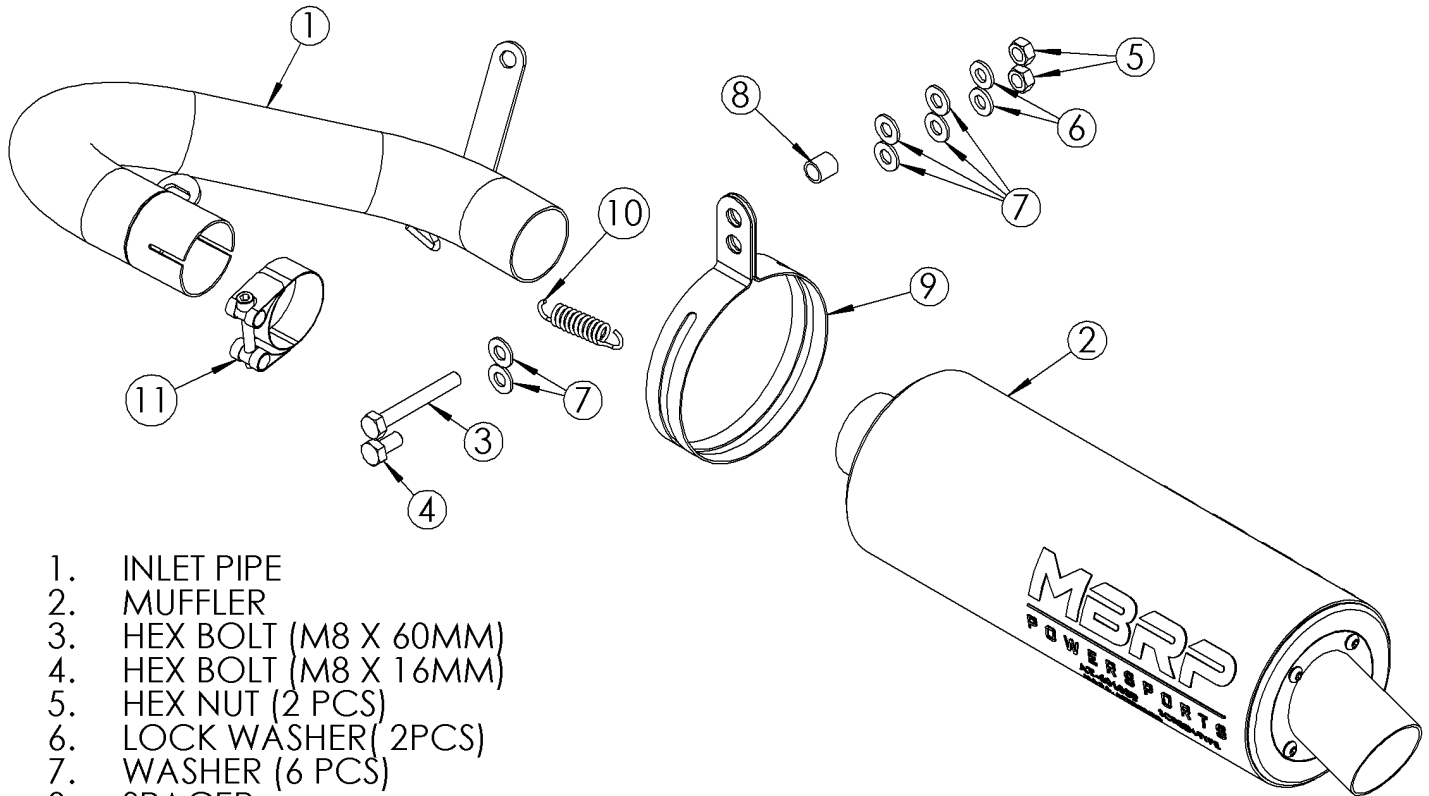


AT-6411SP

SPORT MUFFLER - SLIP - ON
2003-2007 YAMAHA RHINO 660

MBRP



1. INLET PIPE
2. MUFFLER
3. HEX BOLT (M8 X 60MM)
4. HEX BOLT (M8 X 16MM)
5. HEX NUT (2 PCS)
6. LOCK WASHER (2PCS)
7. WASHER (6 PCS)
8. SPACER
9. MUFFLER BAND
10. EXTENSION SPRING
11. CLAMP

PLEASE READ BEFORE STARTING INSTALLATION

While MBRP Inc. has made every effort to ensure that all components of this system are of superior quality and properly packaged, it is the installer's responsibility to ensure the following before removal of the factory exhaust:

- that ALL components shown above are present.
- that ALL mating components fit together.
- that there are no damaged components.
- that the system you have purchased is appropriate for your vehicle year, model and configuration.
- that the system will not interfere with any modifications previously installed or planned.
- that you have read and understand these instructions.

If you have any questions or are uncertain about any aspect of the installation of this system to your vehicle please contact your dealer before commencing installation.

MBRP

AT-6411 – 2003-07 Yamaha Rhino 660

Removal of Stock Exhaust:

1. Loosen each bolt holding the muffler to the frame.
2. Loosen the clamp holding the muffler to the header pipe.
3. To remove the muffler from the bike, the header has to be unbolted from the engine.

Installation of MBRP Inc. Exhaust:

1. Hang the new **Muffler** and the **Inlet Pipe** from the bike mounts as shown in **Figure 1**.
2. Slide the band **Clamp** over the **Inlet Pipe** inlet.
3. Connect the header to the new exhaust system and tighten the header bolts on the engine.
4. Tighten the band **Clamp** on the **Inlet Pipe** inlet.



Figure 1

Congratulations! You are ready to begin experiencing the improved performance and driving excitement of your MBRP Inc. ATV Exhaust upgrade. We know you will enjoy your purchase.