

AC-9533-03

2022-UP POLARIS
RZR PRO R, RZR PRO S, RZR TURBO R,
FRONT BUMPER KIT

MBRP®

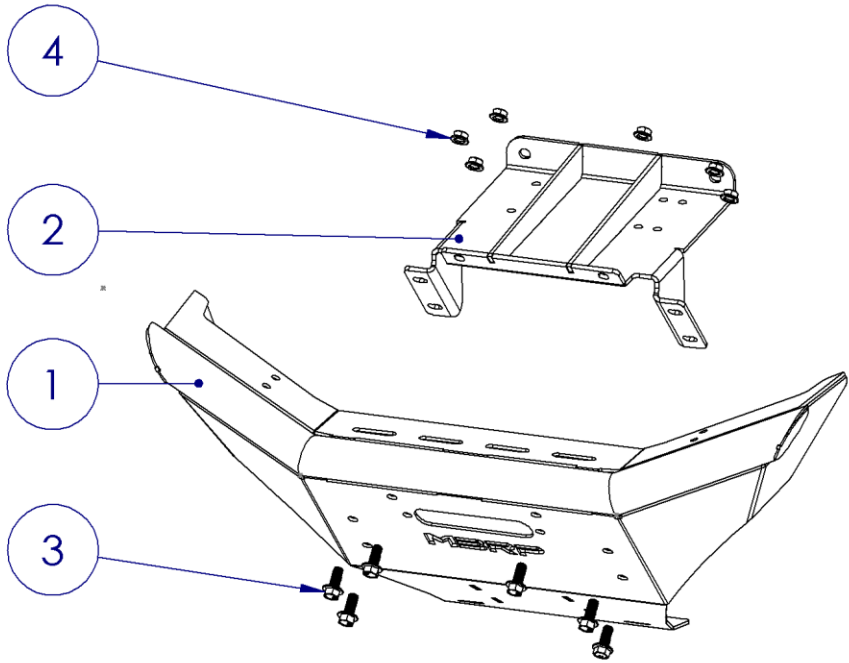
WINCH MOUNTING PATTERNS

4.88"X3.0" ϕ 0.354"

6.59"X3.0" ϕ 0.354"

FAIRLEAD MOUNTING PATTERN

6.0" C-C ϕ 0.397"



ITEM	DESCRIPTION	QTY
1	BUMPER	1
2	WINCH TRAY	1
3	M10 BOLT	6
4	M10 FLANGE NUT	6

Refer to this LOT NUMBER when contacting customer service: _____

PLEASE READ BEFORE STARTING INSTALLATION

While MBRP has made every effort to ensure that all components of this kit are of superior quality and properly packaged, it is the installer's responsibility to ensure the following before installation;

- that ALL components shown above are present.
- that ALL mating components fit together.
- that there are no damaged components.
- that the product you have purchased is appropriate for your vehicle year, model and configuration.
- that the product will not interfere with any modifications previously installed or planned.
- that you have read and understand these instructions.

If you have any questions or are uncertain about any aspect of the installation of this kit to your vehicle please contact your dealer before commencing installation.

MBRP



Figure 1



Figure 2



Figure 3



Figure 4

Installation

1. Remove 4 Torx head screws and remove the OE Bezel. **Refer to Figure 1.**
2. Remove 4 bolts and remove the OE Bumper. Retain the hardware as it will be reused. **Refer to Figure 2.**
3. Remove both lower bezel support brackets. **Refer to Figure 3.**
4. Install your winch on the **Winch Tray** prior to installing the **Winch Tray** on the SxS using 2 of the previously removed OE bumper bolts in the upper OE bumper mounting holes. **Refer to Figure 4.**

MBRP



Figure 5



Figure 6

5. Install your winch fairlead on the **Bumper**. Loosely mount the **Bumper** onto the **Winch Tray** using the supplied **M10 Bolts** and **M10 Flange Nuts**. Use the remaining 2 OE bumper bolts to secure the lower Bumper mounts in the lower OE bumper mounting holes. **Refer to Figures 5 and 6.**
6. Tighten all hardware.

Congratulations! You are ready to enjoy your **MBRP** bumper kit. We know you will enjoy your purchase!