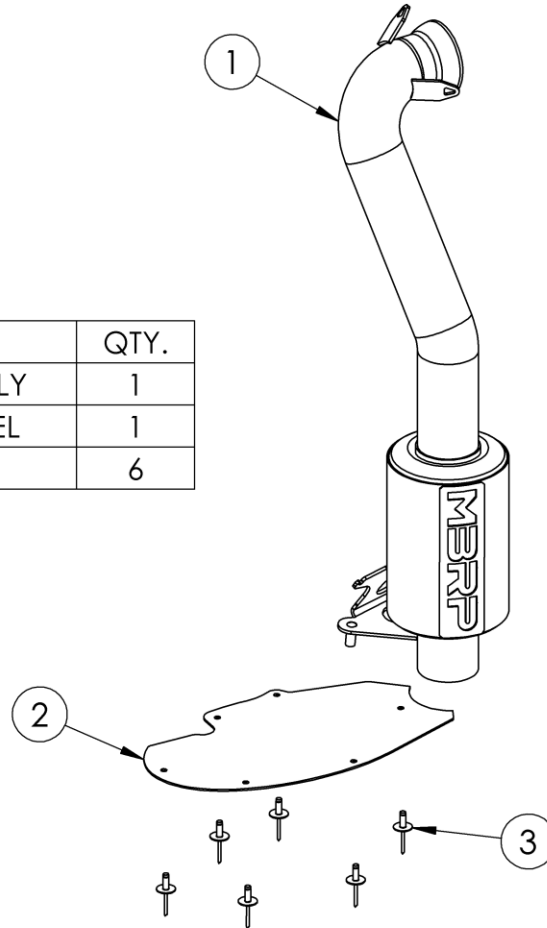


# 4320507

RACE MUFFLER  
2019-UP POLARIS 600R

# MBRP

ITEM NO.	DESCRIPTION	QTY.
1	MUFFLER ASSEMBLY	1
2	BLOCK-OFF PANEL	1
3	RIVET	6



## PLEASE READ BEFORE STARTING INSTALLATION

While MBRP Ltd. has made every effort to ensure that all components of this system are of superior quality and properly packaged, it is the installer's responsibility to ensure the following before removal of the factory exhaust:

- that ALL components shown above are present.
- that ALL mating components fit together.
- that there are no damaged components.
- that the system you have purchased is appropriate for your vehicle year, model and configuration.
- that the system will not interfere with any modifications previously installed or planned.
- that you have read and understand these instructions.

If you have any questions or are uncertain about any aspect of the installation of this system to your vehicle please contact your dealer before commencing installation.

# MBRP

## Removal of Stock Muffler:

**Note:** Local regulations may limit or prohibit modification to your snowmobile's emissions system and/or the sound levels that it generates. It is your responsibility to be aware of restrictions that may apply to your intended use of this product.

**CAUTION:** **DO NOT** touch muffler while snowmobile is running or shortly after it has run, as it may result in personal injury.

\* **Retain factory springs for final installation.**

1. Remove both side panels, then disconnect the wire harness plug to the console display and remove the engine cover/hood.
2. Remove the springs (3) from the muffler inlet, then remove the bolt securing the muffler mounting bracket to the frame. Next, remove the two (2) lower springs from the muffler and then remove the muffler from the vehicle. It may be necessary to remove some of the springs from the front pipe to allow it to move forward and free the muffler inlet from the gasket. Retain the two (2) rubber mounts from the bottom posts to reuse with the new muffler.

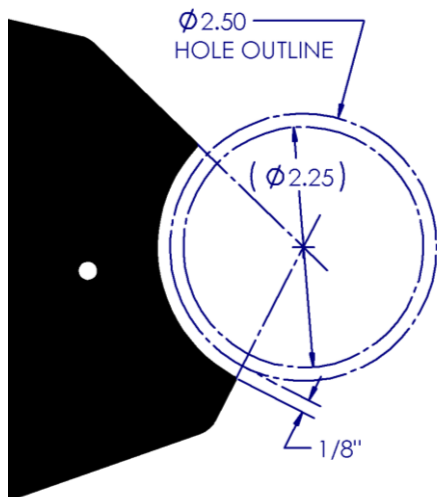


Figure 1

## Installation of MBRP Pipe:

1. Remove the exhaust outlet boot (drill out 4 rivets), and the snow deflector (remove 2 screws and drill out 3 rivets) from the exhaust opening in the belly pan.
2. Install the **Block-off Panel** using the six (6) **Rivets** provided. Line up the holes with the existing holes in the belly pan.
3. The **Block-off Panel** will act as a guide for the new exhaust outlet hole. Use a 2-1/2" hole saw to cut a hole in the belly pan that is offset 1/8" from the circular edge of the **Block-off Panel**. The centre of the hole can be found by locating the intersection point of the two straight edges on either side of the circular edge. **See Figure 1**. If less clearance is desired, cut a 2-1/4" hole.
4. Install the two rubber mounts onto the bottom mounting posts of the **Muffler Assembly**, then put the **Muffler Assembly** in place with the mounts in the bottom frame holes.
5. Install the three (3) springs onto the muffler inlet, and one (1) spring onto the spring hook on the bottom bracket. **See Figure 2**.
6. Reinstall the front pipe springs, the engine cover, and the side panels.

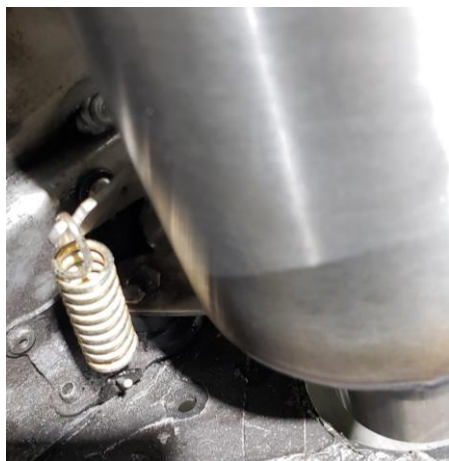


Figure 2

**Congratulations!** You are ready to begin experiencing the improved performance and driving excitement of your **MBRP** Exhaust upgrade. We know you will enjoy your purchase.

MBRP Ltd. warranty applies for a two (2) year period from the date of purchase to defects in product material and workmanship and is to the original purchaser on record and for the original vehicle for which it was designed and installed. This warranty is limited, at MBRP's sole determination, to the repair or replacement of defective product only and does not include the cost of removal or re-installation, damage by accident, abuse, misuse or misapplication or any consequential damages however they may arise. Determination of warranty coverage shall be at the discretion of an authorized MBRP quality engineer.