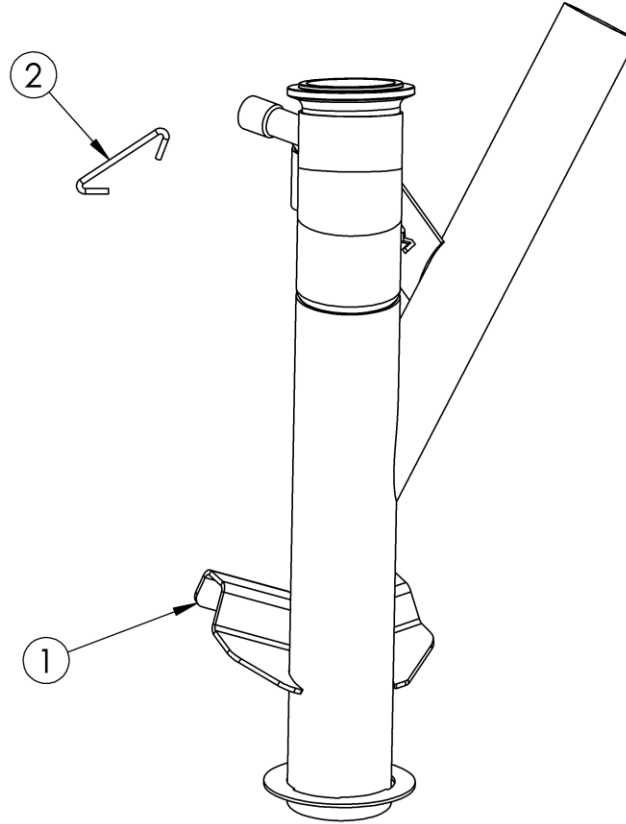


4310411

RACE PIPE ASSEMBLY
2022-UP POLARIS PATRIOT BOOST 850 TURBO

MBRP



ITEM NO.	DESCRIPTION	QTY.
1	PIPE ASSEMBLY	1
2	SPRING EXTENSION	1

PLEASE READ BEFORE STARTING INSTALLATION

While MBRP Ltd. has made every effort to ensure that all components of this system are of superior quality and properly packaged, it is the installer's responsibility to ensure the following before removal of the factory exhaust:

- that ALL components shown above are present.
- that ALL mating components fit together.
- that there are no damaged components.
- that the system you have purchased is appropriate for your vehicle year, model and configuration.
- that the system will not interfere with any modifications previously installed or planned.
- that you have read and understand these instructions.

If you have any questions or are uncertain about any aspect of the installation of this system to your vehicle please contact your dealer before commencing installation.

MBRP

Removal of Stock Muffler:

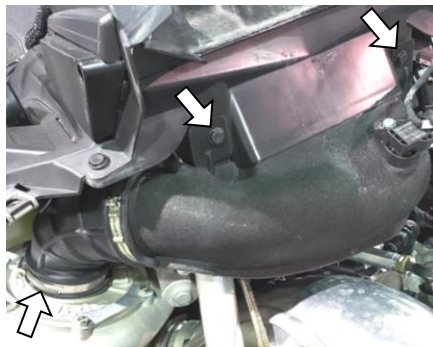


Figure 1



Figure 2



Figure 3

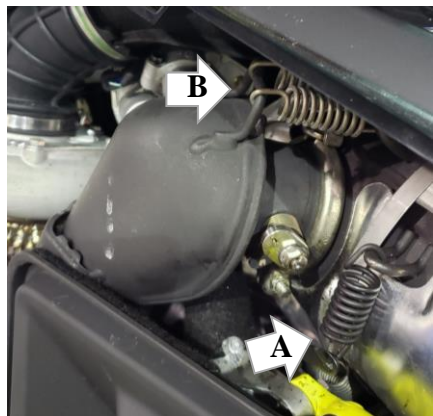


Figure 4

Note: Local regulations may limit or prohibit modification to your snowmobile's emissions system and/or the sound levels that it generates. It is your responsibility to be aware of restrictions that may apply to your intended use of this product.

CAUTION: DO NOT touch muffler while snowmobile is running or shortly after it has run, as it may result in personal injury.

* **Retain all factory parts and hardware for final installation.**

1. Remove both side panels, then disconnect the wire harness plug to the console display and remove the engine cover/hood.
2. Loosen the band clamp securing the intake tube to the turbo inlet and remove the two (2) plastic rivets from the tabs on the intake tube (**Refer to Figure 1**). Remove the intake tube to access the tuned pipe connection to the turbo.
3. Remove the v-band clamp from the turbo connection to the muffler. **Refer to Figure 2.**
4. Loosen and slide the smaller v-band clamp off of the bypass pipe flange connection, taking care not to damage the gasket. Note that the nut needs to be removed to allow the clamp to open fully. **Refer to Figure 3.**
5. Remove the spring on the tuned exhaust pipe to allow the pipe to move more freely. **Refer to Figure 4(A).**
6. Remove the two (2) springs attaching the bypass pipe to the wastegate, then remove the bypass pipe from the muffler. **Refer to Figure 4(B).**
7. Remove the four (4) springs attaching the tuned pipe to the turbo. **Refer to Figure 5.**
8. Remove the exhaust sensor from the backside of the stock muffler.
9. Remove the spring on the backside of the stock muffler.
10. While holding the turbo up and out of the way, lift the stock muffler upwards to clear the frame post mount, and then remove it from the snowmobile.

Installation of MBRP Pipe:

1. Remove the mounting sleeve from the top bracket of the stock muffler and place it into the mounting tube of the MBRP pipe.
2. Ensure that the lower rubber mount is properly in place on the vehicle (it may have come off with the stock muffler).
3. While holding the turbo up and out of the way, install the MBRP pipe in the same location as the stock muffler.
4. Slide the smaller v-band clamp onto the bypass inlet pipe on the MBRP pipe.

MBRP



Figure 5

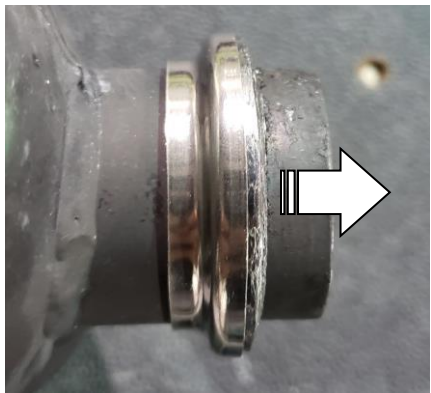


Figure 6



Figure 7

5. Carefully remove the ring gasket and collar from the bypass inlet of the stock muffler (**Refer to Figure 6**), and transfer them onto the 1.75" inlet of the MBRP pipe.
6. Reinstall the four (4) springs attaching the tuned pipe to the turbo.
7. Install the bypass pipe onto the 1.75" inlet of the MBRP pipe and back into position on the tuned pipe. Reinstall the two (2) springs securing it to the tuned pipe.
8. Slide the ring gasket and collar up to the flare on the bypass pipe, then open the v-band clamp and slide it over the collar and pipe flare. Put the nut back onto the clamp to hold it in place, but do not tighten it.
9. Reinstall the large v-band clamp to the MBRP pipe inlet and turbo outlet flanges. Do not fully tighten the clamp yet.
10. Reattach the spring to the tuned exhaust pipe. Reinstall the intake tube onto the intake and replace the two (2) plastic rivets. Reconnect the rubber tube to the turbo and tighten the hose clamp.
11. Ensure the MBRP pipe is positioned correctly, then, tighten the v-band clamps.
12. Use the supplied spring extension to reattach the rear spring between the frame loop and the MBRP pipe mounting bracket. **Refer to Figure 7.**
13. Reinstall the exhaust sensor into the port on the MBRP pipe. **Refer to Figure 7.**
14. Finally, replace the hood and reconnect the wiring harness, then replace the side panels.

Congratulations! You are ready to begin experiencing the improved performance and driving excitement of your **MBRP** Exhaust upgrade. We know you will enjoy your purchase.

MBRP Ltd. warranty applies for a two (2) year period from the date of purchase to defects in product material and workmanship and is to the original purchaser on record and for the original vehicle for which it was designed and installed. This warranty is limited, at MBRP's sole determination, to the repair or replacement of defective product only and does not include the cost of removal or re-installation, damage by accident, abuse, misuse or misapplication or any consequential damages however they may arise. Determination of warranty coverage shall be at the discretion of an authorized MBRP quality engineer.