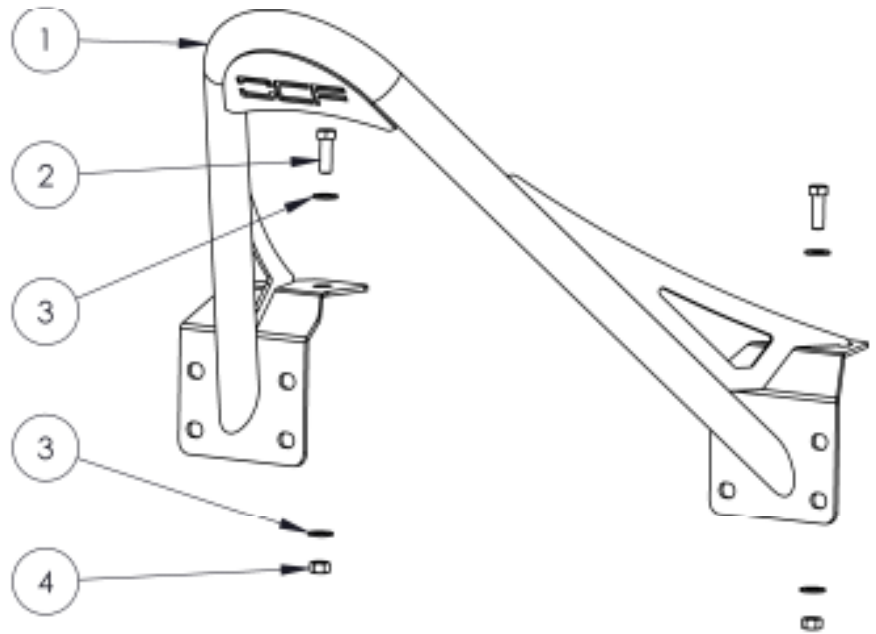


182720

**07-15 JK BUMPER STINGER KIT FOR OCF
BUMPERS**

**OFF CAMBER
FABRICATIONS**

by: **MBRP** INC.



1. STINGER
2. 1/2" BOLT [2 PCS]
3. 1/2" WASHER [4 PCS]
4. 1/2" NUT [2 PCS]

PLEASE READ BEFORE STARTING INSTALLATION

While MBRP Inc. has made every effort to ensure that all components of this kit are of superior quality and properly packaged, it is the installer's responsibility to ensure the following before starting:

- that ALL components shown above are present.
- that ALL mating components fit together.
- that there are no damaged components.
- that the kit you have purchased is appropriate for your year and model of vehicle.
- that the kit will not interfere with any modifications previously installed or planned.
- that you have read and understand these instructions.

If you have any questions or are uncertain about any aspect of the installation of this kit on your vehicle please contact your dealer before commencing installation.

2007-2015 Jeep JK Bumper Stinger Kit

NOTE: This kit requires installation of an *Off Camber Fabrications* Front Bumper Kit.



1. Remove the 8 forward facing bumper mounting bolts.

2. Install the **Stinger** by placing it on the bumper and securing it with the 8 previously removed bolts, and the supplied ½” **Bolts**, ½” **Washers**, and ½” **Nuts** through the top face of the bumper.

3. Tighten all hardware.



Congratulations! You are finished. We are sure that you will enjoy This *Off Camber Fabrications* product by *MBRP* Inc.