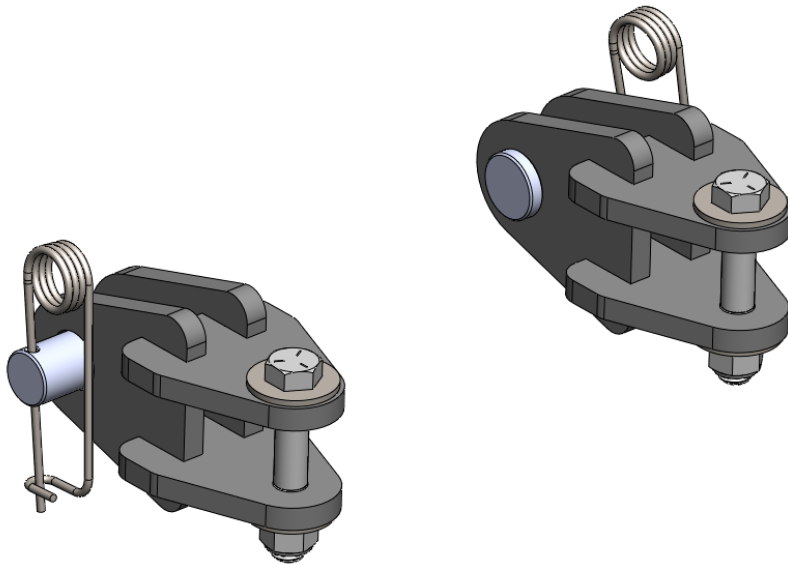
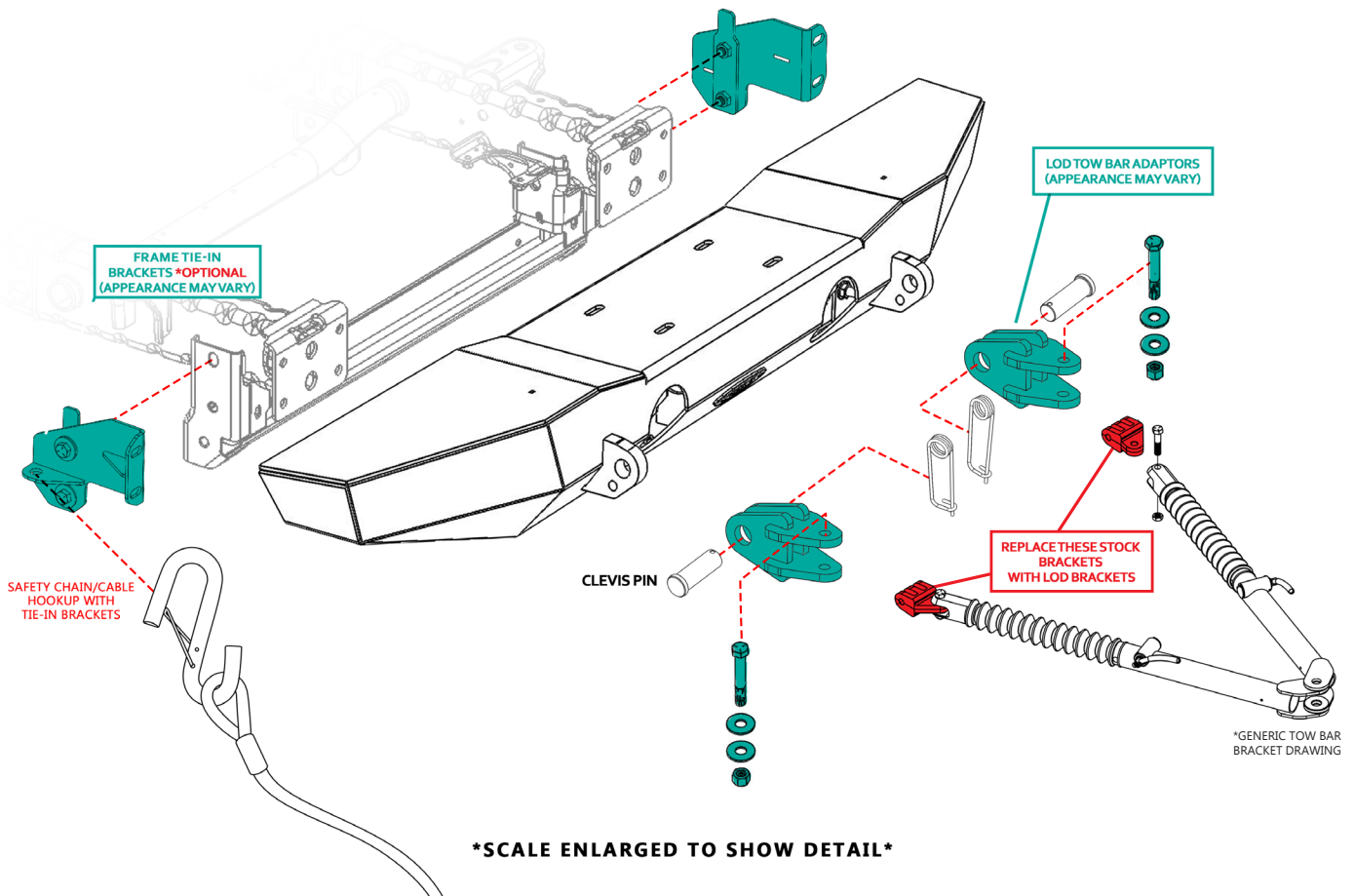




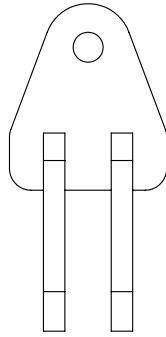
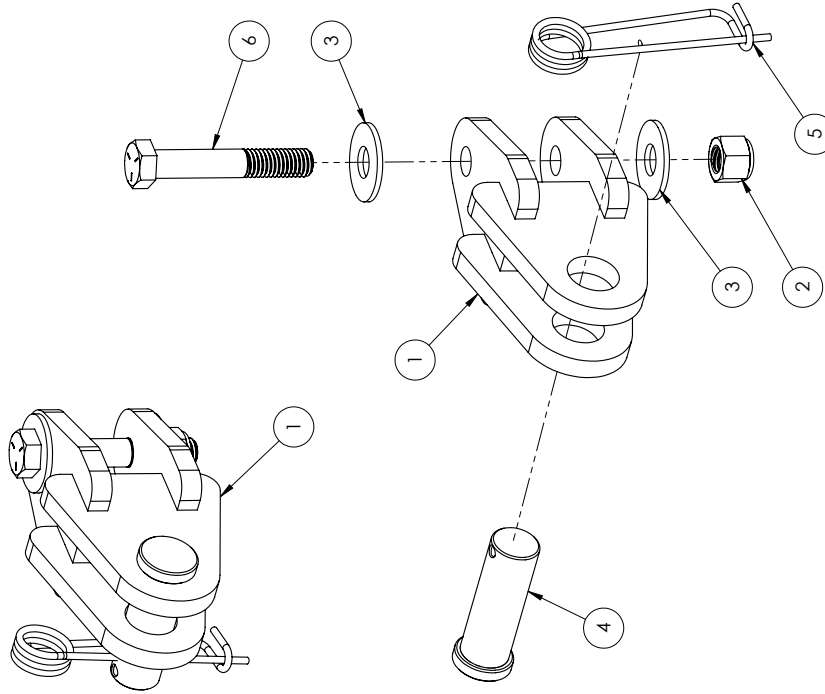
TOW BAR ADAPTERS FOR READY BRUTE TOW BARS



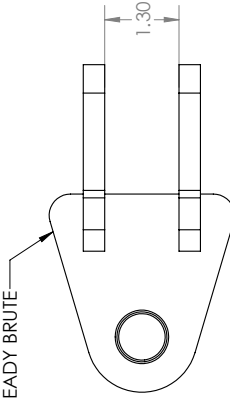
VERIFY YOU HAVE ALL THE COMPONENTS BEFORE STARTING THE INSTALLATION. REFER TO THE ENGINEERING DRAWINGS AT THE END OF THIS DOCUMENT FOR A COMPLETE PARTS LIST



ITEM NO.	PART NUMBER	DESCRIPTION	QTY.
1	4JTB0750-1	READY BRUTE ADAPTER	2
2	LHN5013ZPGR5	NYLOK LOCKING HEX NUT 1/2-13 ZINC PLATE GR5	2
3	FW502ZZP	FLAT WASHER Ø1/2" X 1.375" ZINC PLATE	4
4	CP1000	CLEVIS PIN, Ø7/8" X 2 1/2" LG	2
5	CP1002	SAFETY COTTER PIN, Ø.120 X 4.375" LG X 13/16" W, ZINC PLATE	2
6	HB501348ZPGR5	HEX BOLT 1/2-13 X 3.00 HEX BOLT ZINC PLATE GR5	2



TRIANGLE SHAPE INDICATES READY BRUTE



UNLESS OTHERWISE SPECIFIED:		NAME	DATE
DIMENSIONS ARE IN INCHES	DRAWN	MCH	4/22/2022
TOLERANCES: ±0.010	CHECKED		
ANGULAR: MACH 11	ENG APPR.		
THREE PLACE DECIMAL	MFG APPR.		
	MATERIAL:	LOD LLC.	
	FINISH:	DESCRIPTION:	
	BLACK POWDER COAT	TOW BAR ADAPTER FOR READY BRUTE	
PROPRIETARY AND CONFIDENTIAL THE INFORMATION CONTAINED IN THIS DRAWING IS THE SOLE PROPERTY OF LOD LLC. ANY REPRODUCTION IN PART OR AS A WHOLE WITHOUT THE WRITTEN PERMISSION OF LOD LLC IS PROHIBITED.		DWG. NO.	REV
		JTB0750	A
		SCALE: 1:4	SHEET SIZE: B
			SHEET 1 OF 1

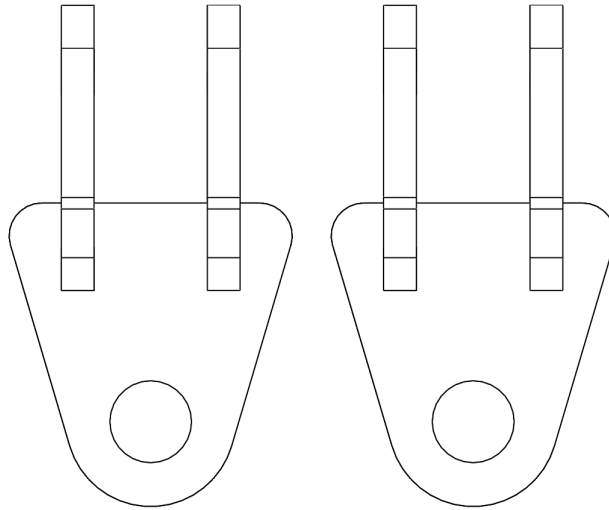


**Tow Bar Adapters for
READY BRUTE Tow Bars**

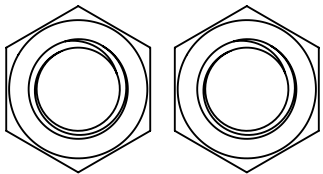
SHIPPING SHEET

Packaged by:

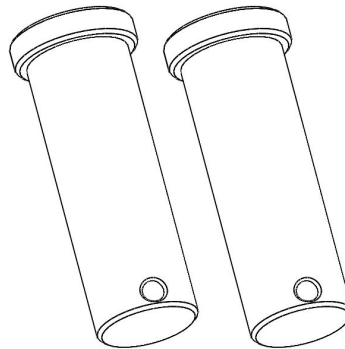
On:



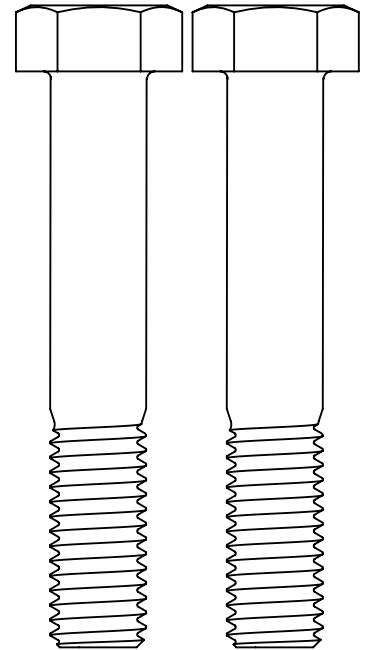
READY BRUTE ADAPTER
4JTB0750-1
(x2)



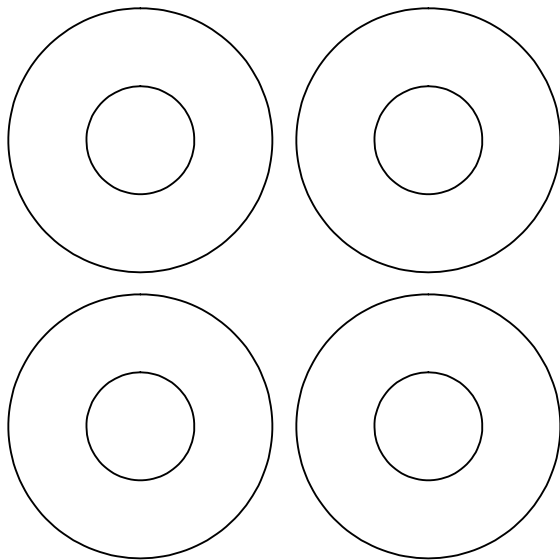
HEX NUT 1/2-13
1136310
(x2)



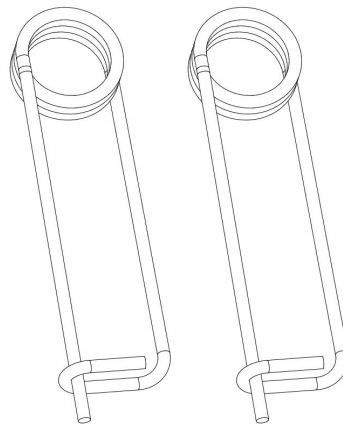
CLEVIS PIN Ø7/8" X 2.5" LG
CP1000
(x2)



HEX BOLT 1/2-13 X 3.00
210120386
(x2)



FLAT WASHER
1/2 X 1.375
1133012
(x4)



SAFETY COTTER PIN
CP1002
(x2)

