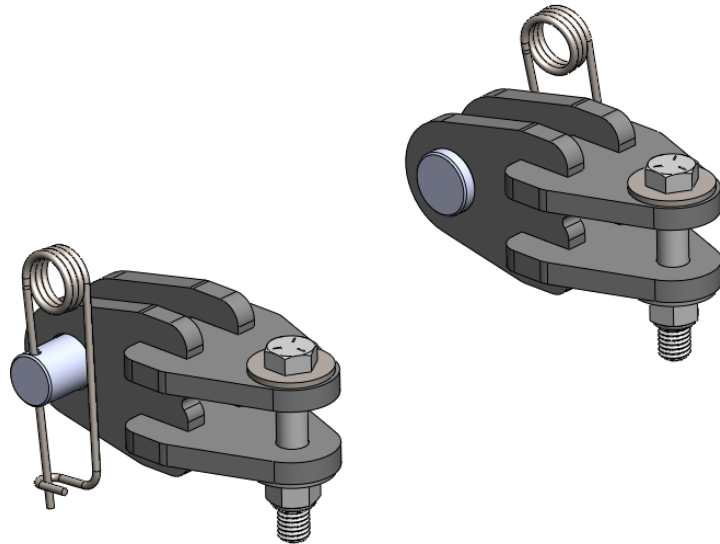
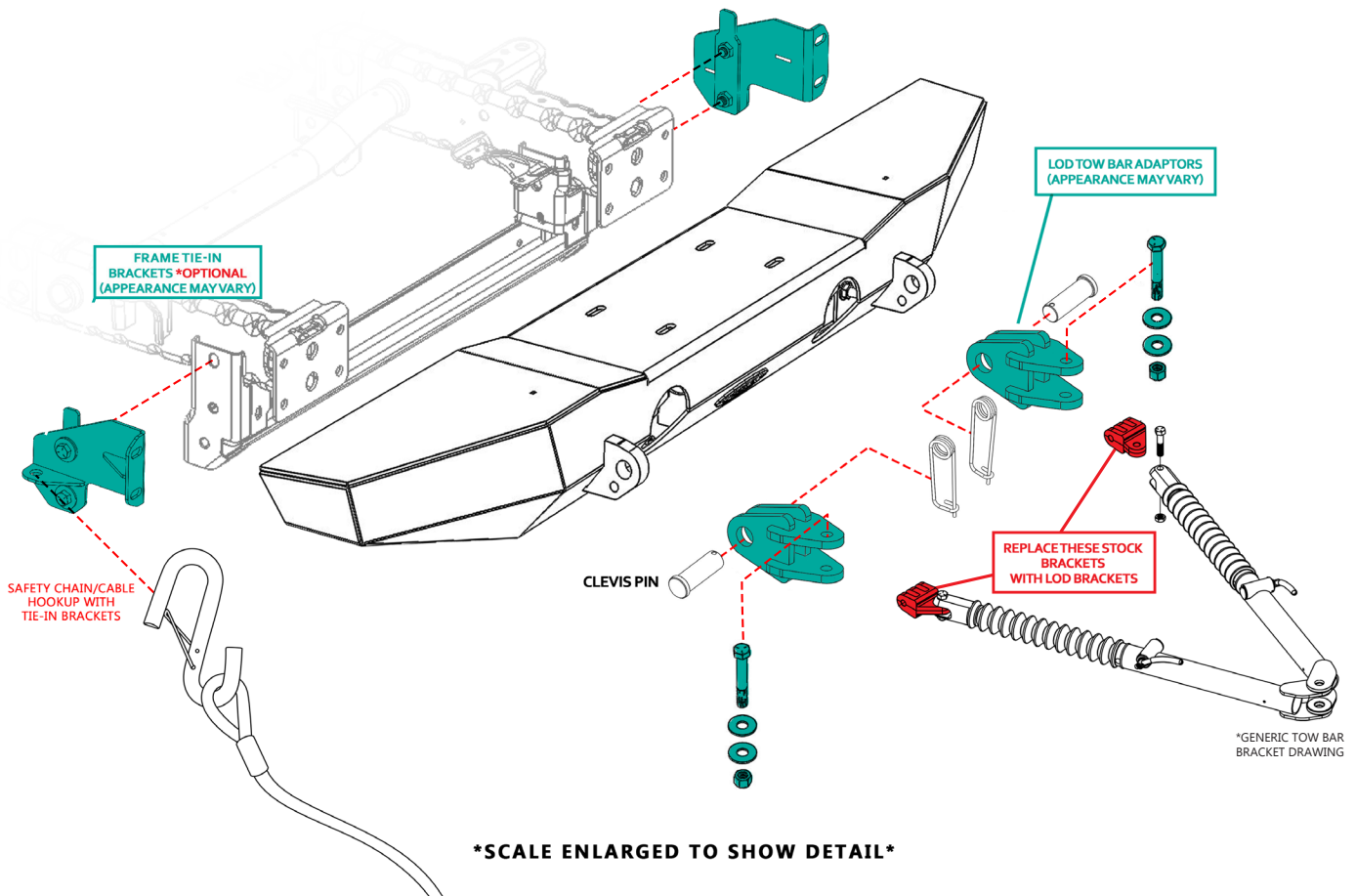




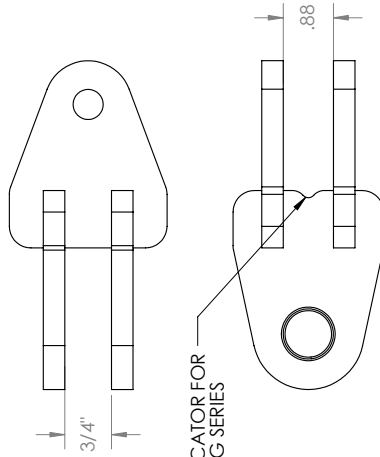
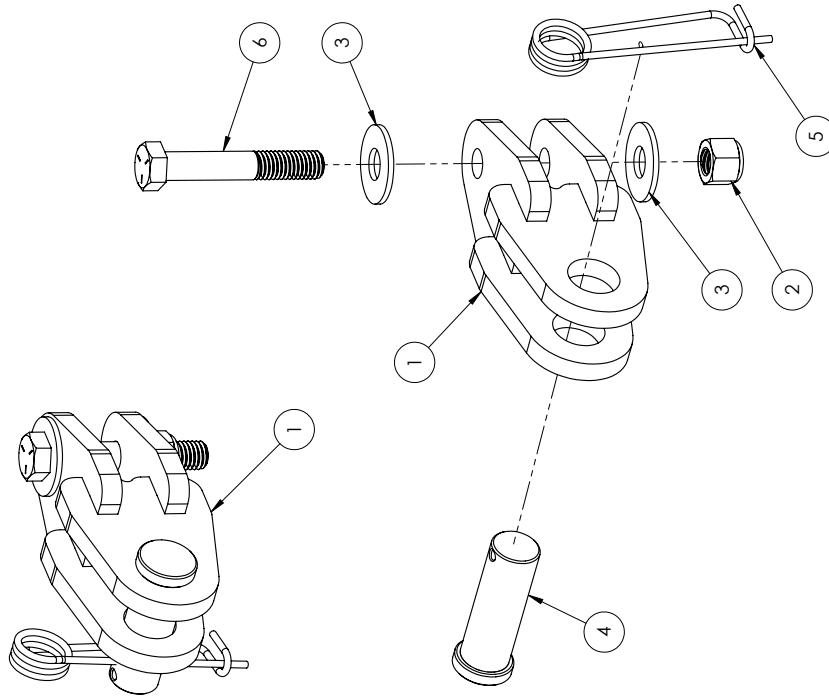
TOW BAR ADAPTERS FOR ROADMASTER ROADMASTER BLACKHAWK 2, NIGHTHAWK, OR STERLING TOW BARS



VERIFY YOU HAVE ALL THE COMPONENTS BEFORE STARTING THE INSTALLATION. REFER TO THE ENGINEERING DRAWINGS AT THE END OF THIS DOCUMENT FOR A COMPLETE PARTS LIST




ITEM NO.	PART NUMBER	DESCRIPTION	QTY.
1	4JTB0740-1	ROADMASTER NON BINDING ADAPTER	2
2	LHN5013ZPGR5	NYLOK LOCKING HEX NUT 1/2-13 ZINC PLATE GR5	2
3	FW502ZP	FLAT WASHER Ø1/2" X 1.375" ZINC PLATE	4
4	CP1000	CLEVIS PIN, Ø7/8" X 2 1/2" LG	2
5	CP1002	SAFETY COTTER PIN, Ø.120 X 4.375" LG X 13/16"W, ZINC PLATE	2
6	HB501348ZPGR5	HEX BOLT 1/2-13 X 3.00 HEX BOLT ZINC PLATE GR5	2



NOTCH INDICATOR FOR NON BINDING SERIES

- NOTES:**
- WORKS WITH THE FOLLOWING ROADMASTER TOW BARS
 - BLACKHAWK 2
 - NIGHTHAWK
 - STERLING

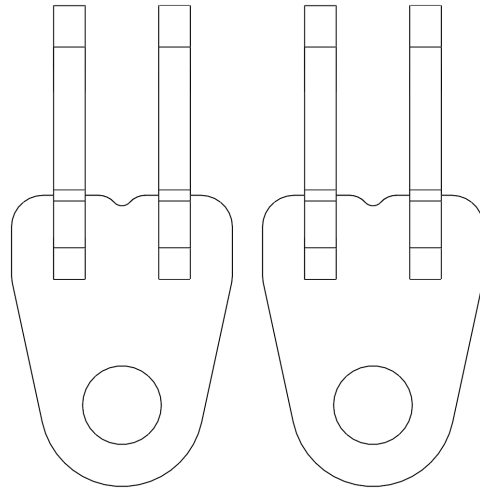
UNLESS OTHERWISE SPECIFIED:		NAME	DATE	
DIMENSIONS ARE IN INCHES		MCH	4/22/2022	
TOLERANCES: ±0.010		DRAWN		
ANGULAR: MACH ±1°		CHECKED		
HOLE POSITION: ±0.015		ENG APPR.		DESCRIPTION: TOW BAR ADAPTER FOR ROADMASTER NON BINDING
THREE PLACE DECIMAL: ±0.005		MFG APPR.		
MATERIAL: N/A				
FINISH: BLACK POWDER COAT				
PROPRIETARY AND CONFIDENTIAL THE INFORMATION CONTAINED IN THIS DRAWING IS THE SOLE PROPERTY OF LOD LLC. REPRODUCTION IN PART OR AS A WHOLE WITHOUT THE WRITTEN PERMISSION OF LOD LLC IS PROHIBITED.		DWG. NO. JTB0740		REV A
		SCALE: 1:4		SHEET SIZE: B
				SHEET 1 OF 1



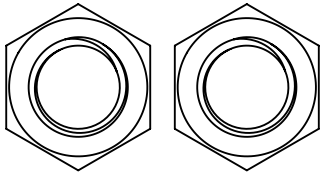
**Tow Bar Adapter for
ROAD MASTER Blackhawk 2,
Nighthawk, or Sterling**
SHIPPING SHEET

Packaged by:

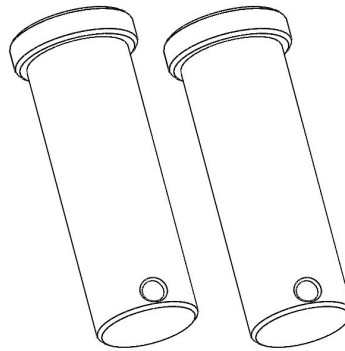
On:



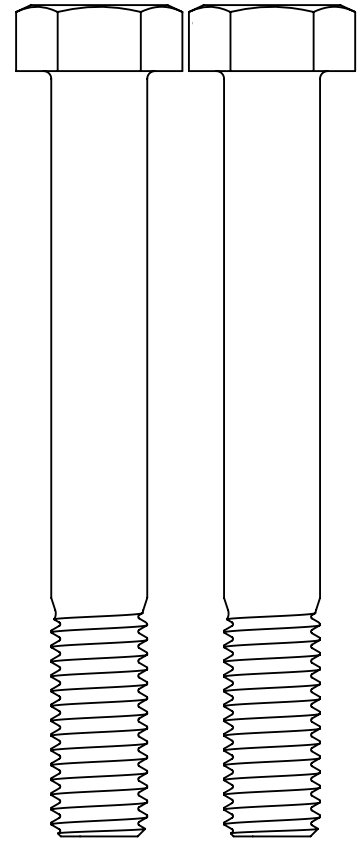
ROAD MASTER ADAPTER
4JTB0740-1
(x2)



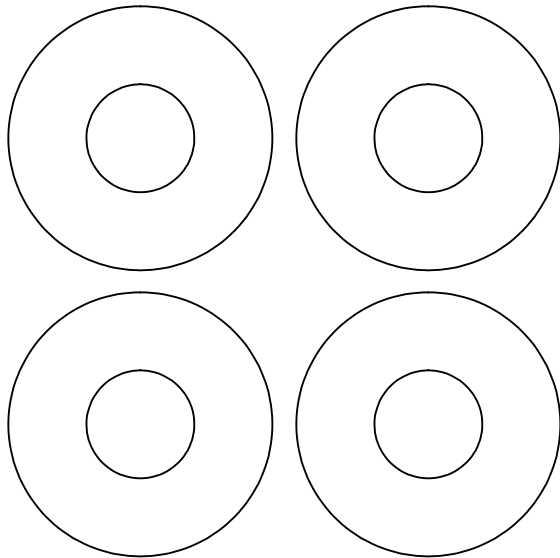
HEX NUT 1/2-13
1136310
(x2)



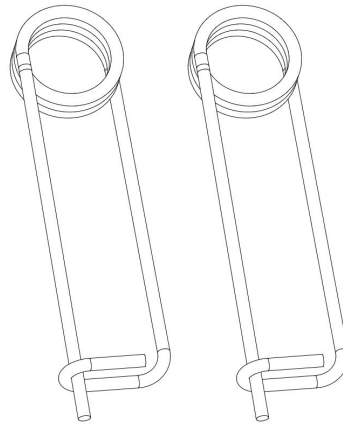
CLEVIS PIN Ø7/8" X 2.5" LG
CP1000
(x2)



HEX BOLT 1/2-13 X3.50
210120388
(x2)



FLAT WASHER
1/2 X 1.375
1133012
(x4)



SAFETY COTTER PIN
CP1002
(x2)

