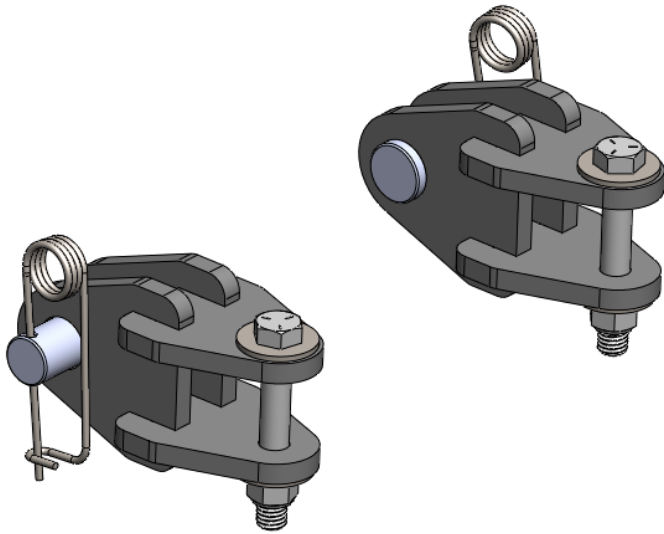
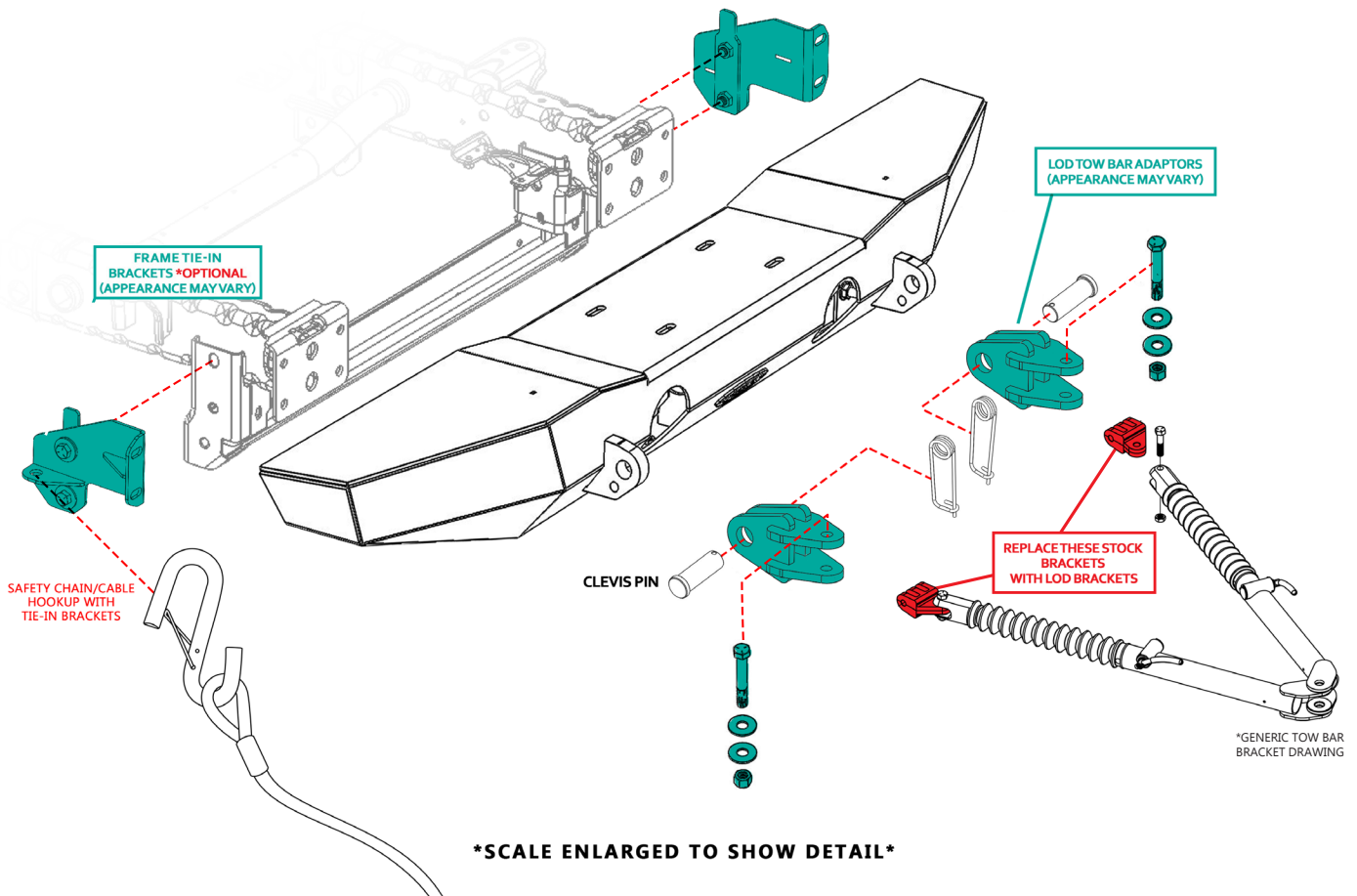




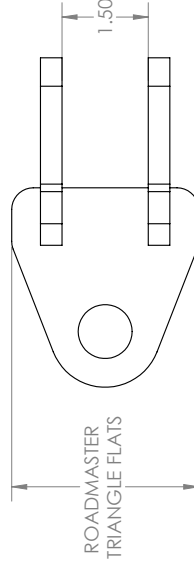
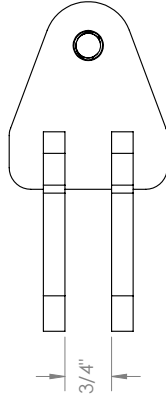
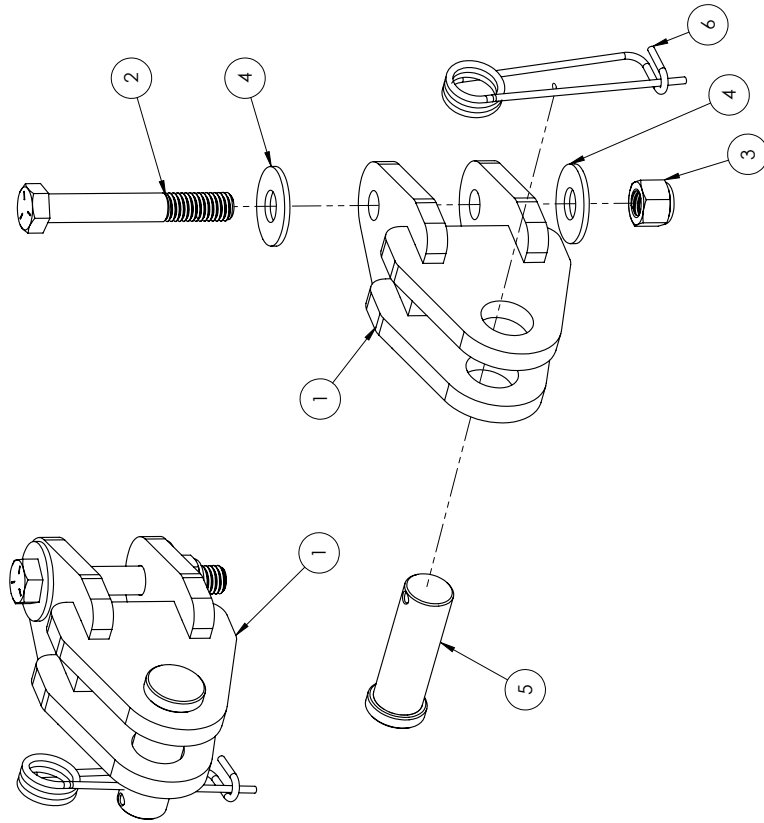
# TOW BAR ADAPTERS FOR ROADMASTER FALCON ALL TERRAIN, FALCON 2, AND FALCON 5250 TOW BARS



**\*VERIFY YOU HAVE ALL THE COMPONENTS BEFORE STARTING THE INSTALLATION. REFER TO THE ENGINEERING DRAWINGS AT THE END OF THIS DOCUMENT FOR A COMPLETE PARTS LIST\***



ITEM NO.	PART NUMBER	DESCRIPTION	QTY.
1	4JTB0730-1	ROADMASTER FALCON SERIES ADAPTER	2
2	HB501356ZPGR5	HEX BOLT 1/2-13 X 3.50 HEX BOLT ZINC PLATE GR5	2
3	LHN5013ZPGR5	NYLOK LOCKING HEX NUT 1/2-13 ZINC PLATE GR5	2
4	FW5022ZP	FLAT WASHER Ø1/2" X 1.375" ZINC PLATE	4
5	CP1000	CLEVIS PIN, Ø7/8" X 2 1/2" LG	2
6	CP1002	SAFETY COTTER PIN, Ø.120 X 4.375" LG X 13/16"W, ZINC PLATE	2



- NOTES:**
- WORKS WITH THE FOLLOWING ROADMASTER TOW BARS
    - FALCON ALL TERRAIN
    - FALCON 2
    - FLACON 5250

UNLESS OTHERWISE SPECIFIED:		NAME	DATE
DIMENSIONS ARE IN INCHES		MCH	4/22/2022
DECIMALS: 0.01			
ANGULARS: MACH 1°			
TWO PLACE DECIMAL ±0.015		CHECKED	
THREE PLACE DECIMAL ±0.005		ENG APPR.	
		MFG APPR.	
		MATERIAL:	
		N/A	
<b>PROPRIETARY AND CONFIDENTIAL</b>			
THE INFORMATION CONTAINED IN THIS DRAWING IS THE SOLE PROPERTY OF LOD LLC. ANY REPRODUCTION OR TRANSMISSION OF THIS DRAWING IN ANY MANNER WITHOUT THE WRITTEN PERMISSION OF LOD LLC IS PROHIBITED.			
FINISH: BLACK POWDER COAT			
ECO: 1071			
DWG. NO. <b>JTB0730</b>		REV <b>D</b>	
SCALE: 1:4		SHEET SIZE: B	
		SHEET 1 OF 1	



LOD LLC.

DESCRIPTION:  
TOW BAR ADAPTER FOR  
ROADMASTER FALCON SERIES



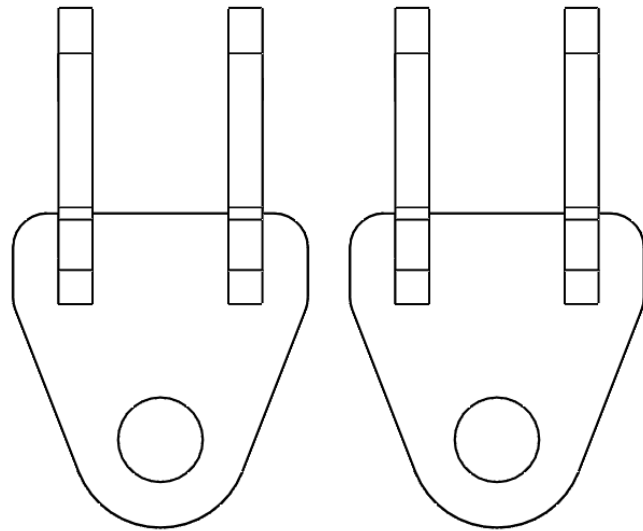
**Tow Bar Adapter  
for ROAD MASTER  
Falcon Series**  
SHIPPING SHEET

Packaged by:

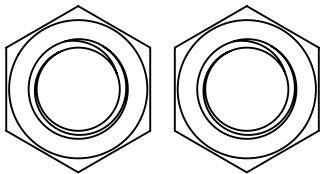
\_\_\_\_\_

On:

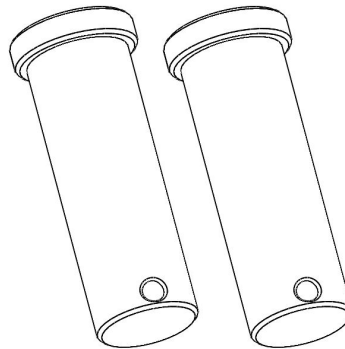
\_\_\_\_\_



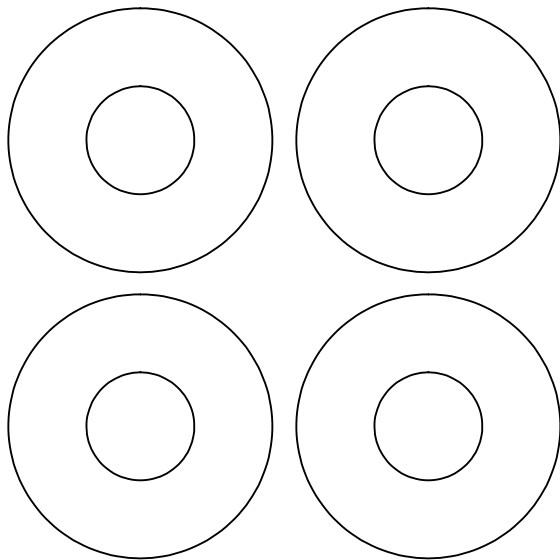
ROAD MASTER ADAPTER  
4JTB0730-1  
**(x2)**



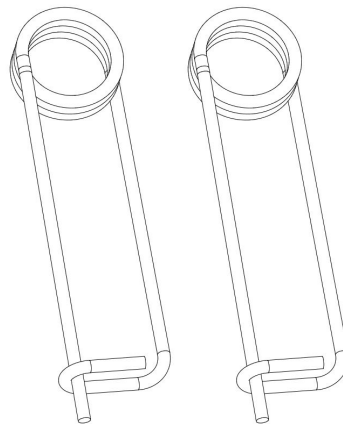
HEX NUT 1/2-13  
1136310  
**(x2)**



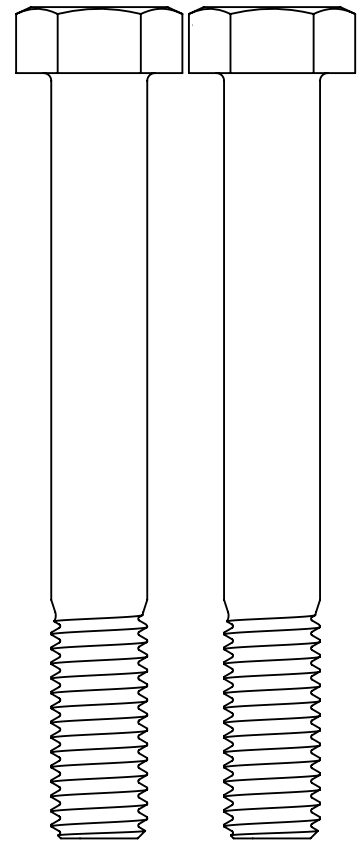
CLEVIS PIN Ø7/8" X 2.5" LG  
CP1000  
**(x2)**



FLAT WASHER  
1/2 X 1.375  
1133012  
**(x4)**



SAFETY COTTER PIN  
CP1002  
**(x2)**



HEX BOLT 1/2-13 X3.50  
210120388  
**(x2)**

