



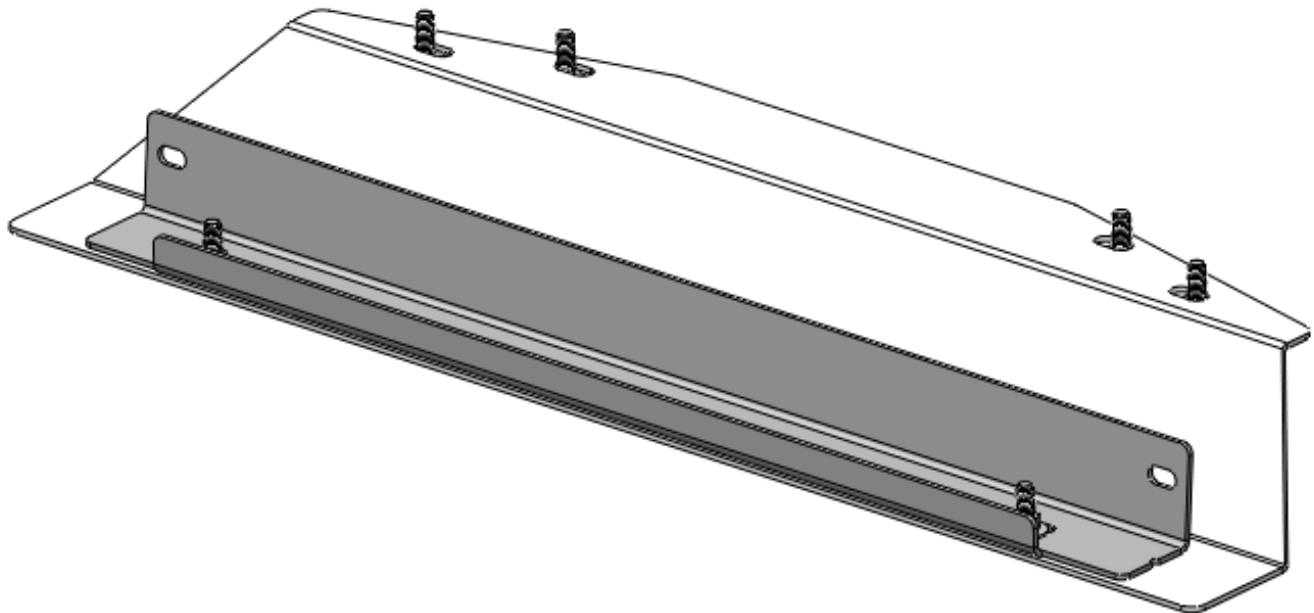
BLACK-OPS SERIES

JL/JT

JEEP JL / JT BLACK OPS
FRONT BUMPER SKID PLATE



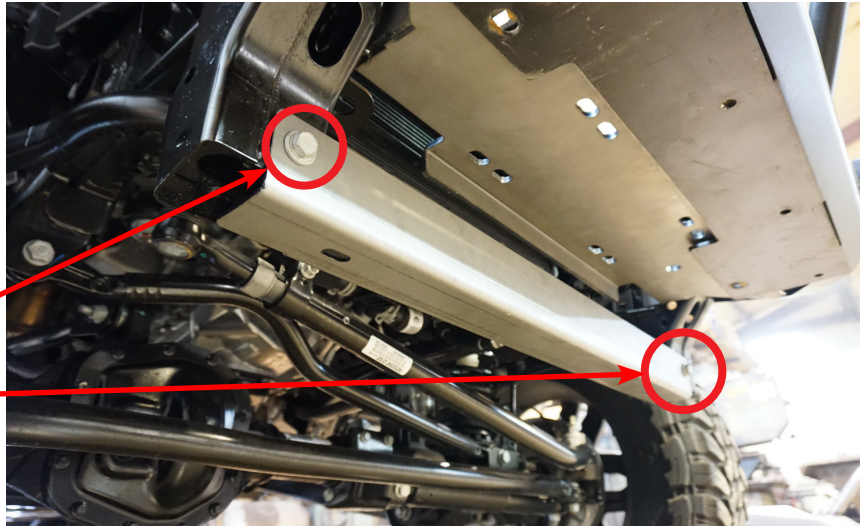
VERIFY YOU HAVE ALL THE COMPONENTS BEFORE STARTING THE INSTALLATION. REFER TO THE ENGINEERING DRAWINGS AT THE END OF THIS DOCUMENT FOR A COMPLETE PARTS LIST



You will need to remove your factory skid plate and cross member to install your new Black Ops Front Bumper Skid Plate.

Using the factory bolts, install the new LOD Cross Member as shown.

Factory Bolts



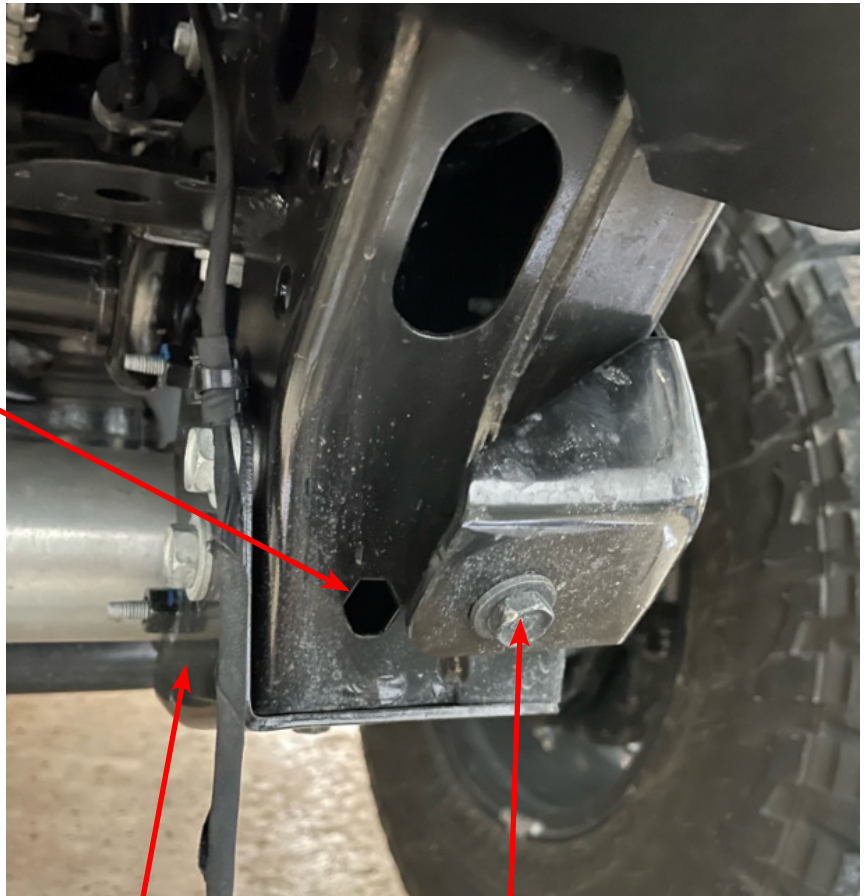
Some Jeep Mojaves or Rubicons may not have the factory cross member installed. And may also not have the factory bolt and frame nut installed.

If that is the case you will need to purchase additional bolts for your installation. We recommend $\text{Ø}3/8 \times 1.00$ " Hex Bolt and nut w/washers.

Missing Frame Nut

If you have a Mojave Jeep you will need to remove the front skid plate mount to install your new Black Ops Skid plate.

Also you will need to temporarily remove the shock reservoir mount to install the new Cross member. Once the Cross Member is installed you will be able to reinstall your shock reservoir mount.



Shock Mount

Stock Skid Plate Mount

Finish installing the Black Ops Skid Plate as shown using the (4) Ø3/8 x 1.00" long Button Head Screws up into the bottom of the bumper and the (2) Ø3/8 x 1.50" long Button Head Screws up into the Cross Member.

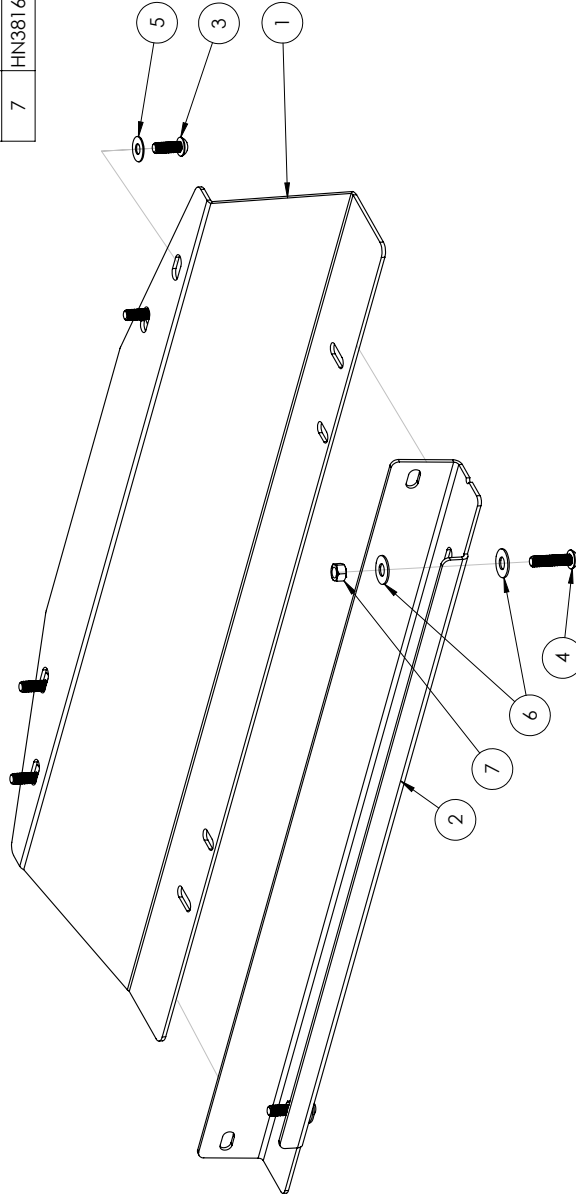


****Maintenance****

- Periodically check and re-tighten all fasteners.
-
- Periodically check your product for scratches, dings, or rust spots which can happen over time or after heavy use. It is important to address these areas as soon as possible to prevent rust and corrosion from spreading. We recommend using Rustoleum® brand Black Semi-Gloss Protective Enamel (oil based). Apply using a foam brush by dabbing to match the powder coat texture.



ITEM NO.	PART NUMBER	DESCRIPTION	QTY.
1	2JSP1880-02	JEEP BLACK OPS SKID PLATE	1
2	2JSP1800-03	CROSS MEMBER	1
3	BHSCS381616ZP	BHSCS 3/8-16 X 1.00 ZINC PLATE	4
4	BHSCS381624ZP	BHSCS 3/8-16 X 1.50 ZINC PLATE	2
5	FW3114ZP	FLAT WASHER Ø5/16" X .875" ZINC PLATE	4
6	FW3816ZP	FLAT WASHER Ø3/8" X 1.00 ZINC PLATE	4
7	HN3816ZPGR5	HEX NUT 3/8-16 ZINC PLATE GR5	2



- NOTES:**
 1. JSP1880 = BARE STEEL OPTION
 2. JSP1881 = BLACK POWDER COAT
 3. WEIGHT = APPROX 19 LBS

UNLESS OTHERWISE SPECIFIED: DIMENSIONS ARE IN INCHES TOLERANCES: ±0.010 FIRST PLACE DECIMAL ±0.015 SECOND PLACE DECIMAL ±0.005 THIRD PLACE DECIMAL ±0.005		DRAWN	NAME	DATE
CHECKED	MCH	5/20/2022	LOD LLC.	
ENG APPR.	DESCRIPTION: JEEP JL/JT BLACK OPS SKID PLATE			
MFG APPR.	DWG. NO. JSP1880 JSP1881			
PROPRIETARY AND CONFIDENTIAL		SCALE: 1:4 SHEET SIZE: B		
THE INFORMATION CONTAINED IN THIS DRAWING IS THE PROPERTY OF LOD LLC. ANY REPRODUCTION IN PART OR AS A WHOLE WITHOUT THE WRITTEN PERMISSION OF LOD LLC IS PROHIBITED.		REV A		

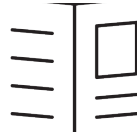




JEEP JL/JT
BLACK-OPS SERIES
 FRONT BUMPER SKID PLATE
 SHIPPING SHEET

Packaged by:

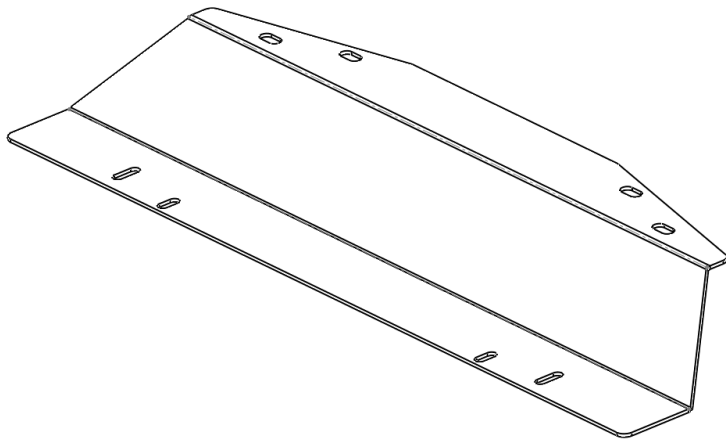
On:



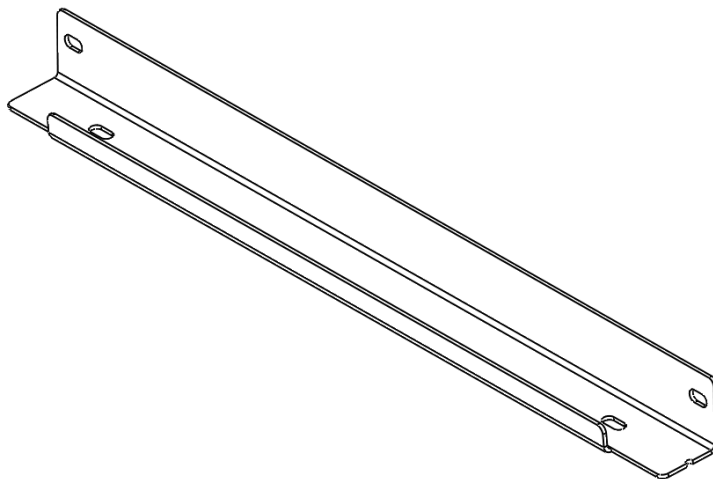
INSTRUCTION
SHEET



BOLT KIT
JSP1880-BK
(x1)



JEEP FRONT BUMPER SKID PLATE
2JSP1880-02
(x1)



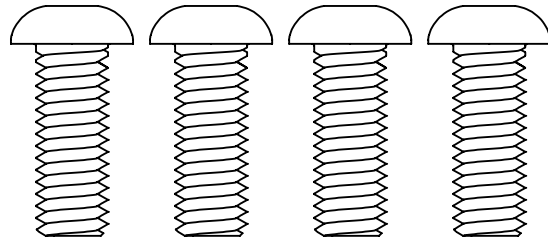
CROSS MEMBER
2JSP1800-03
(x1)



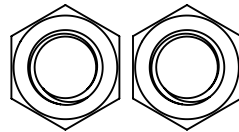


JEEP JL/JT
BLACK-OPS SERIES
 FRONT BUMPER SKID PLATE
JSP1880-BK
 Bolt Kit
 Packaged by:

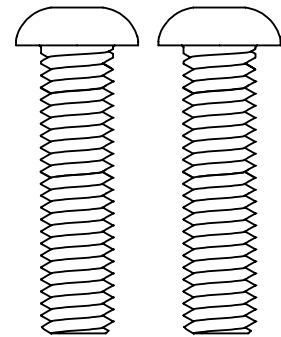
On: _____



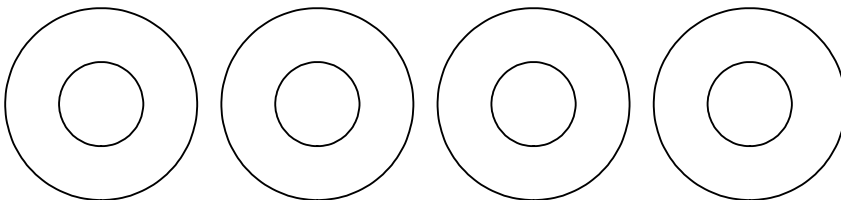
BUTTON HEAD SCREW
 3/8-16 X 1.00" LG
 (94092)
(x4)



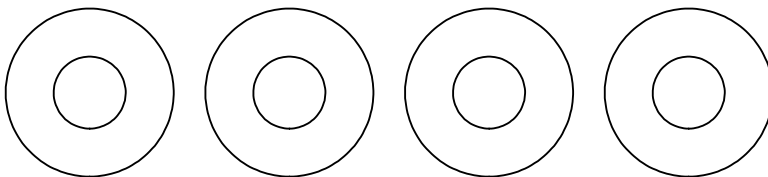
HEX NUT 3/8-16
 (36306)
(x2)



BUTTON HEAD SCREW
 3/8-16 X 1.50" LG
 (94094)
(x2)



FLAT WASHER
 Ø3/8" X 1.00"
 (0159679)
(x4)



FLAT WASHER
 Ø5/16" X .875"
 (0159678)
(x4)