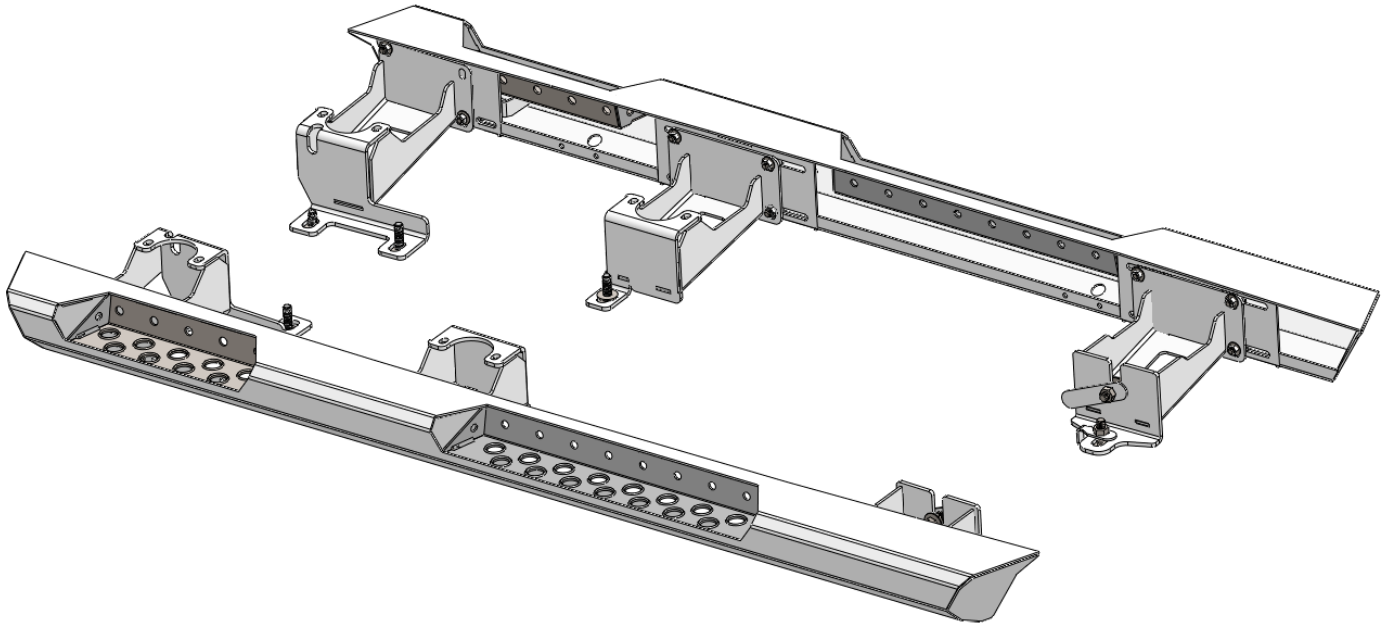




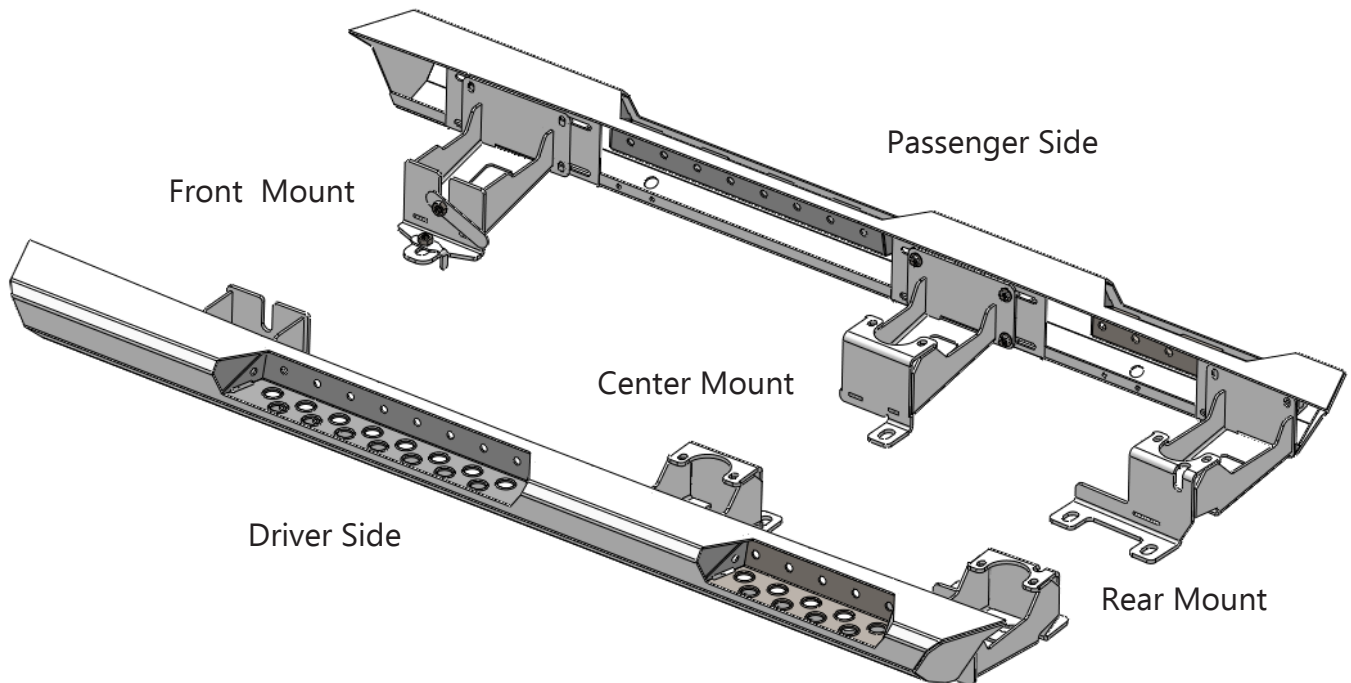
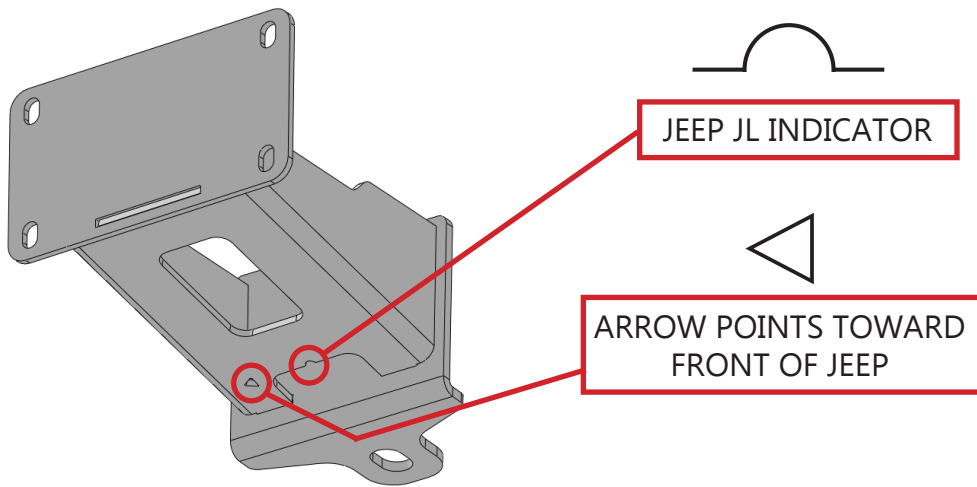
**\*VERIFY YOU HAVE ALL THE COMPONENTS BEFORE STARTING THE INSTALLATION. REFER TO THE ENGINEERING DRAWINGS AT THE END OF THIS DOCUMENT FOR A COMPLETE PARTS LIST\***



## Getting Started:

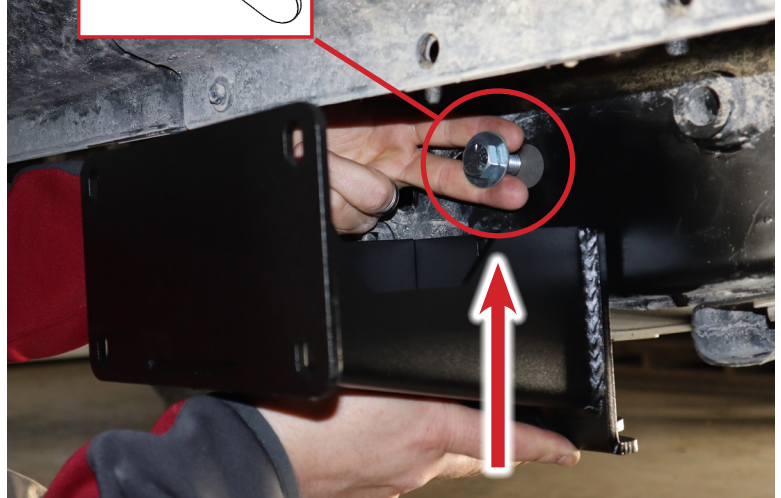
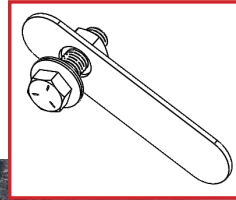
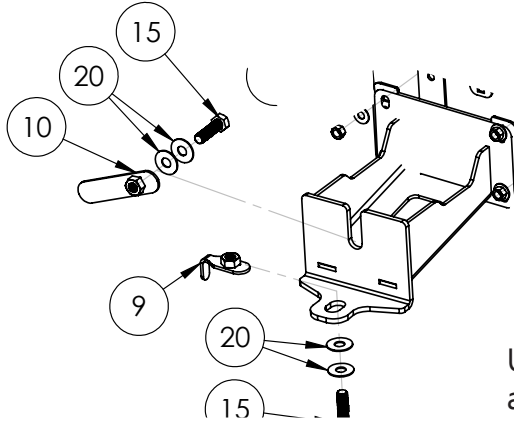
Before installation be sure to check your the bottom of your frame near where the mounts are installed for any oversize or drippy welds. The bottom of the frame should be smooth, if not you will need to grind the welds down slightly. Be sure to touch up the grinding area with paint to prevent rust.

Start by laying out each mount in their position, front-center-rear for both driver and passenger sides. On the bottom of each mount, there are two marks, the small half circle indicates that the mount is for a Jeep JLU, the arrow/triangle points towards the front of the Jeep.



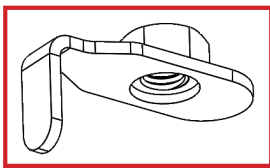
## Installing the Front Mounts:

Install the Front Mounts as shown. Install the 1/2" Hex Bolt and Washers onto the Flag Nut first and then insert the Flag Nut into the large slot on the frame rail. Be careful not to drop the Flag Nut into the frame.

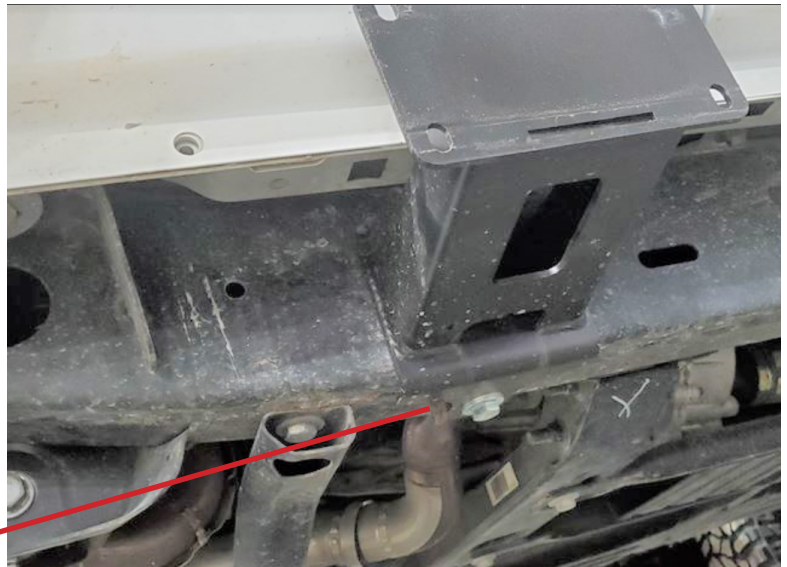


Using your fingers, hold the Flag Nut in the frame as shown above. Then slide the driver side Front Mount up into position while holding the Hex Bolt and Washer. Once in position tighten the Hex Bolt just enough to hold the mount in place.

Install the lower Flag Nut into the frame rail thru the small slot on the bottom of the frame and install the 1/2" Hex Bolt and Washers. The tab on the Flag Nut will hang down thru the bottom of the frame. If you have trouble getting the Flag Nut thru the frame, you may need to enlarge the slot slightly with a file or dremel.



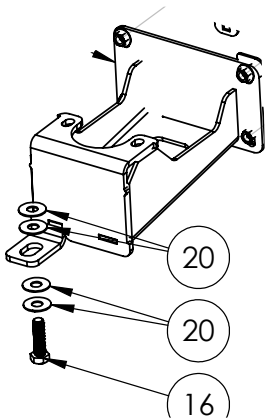
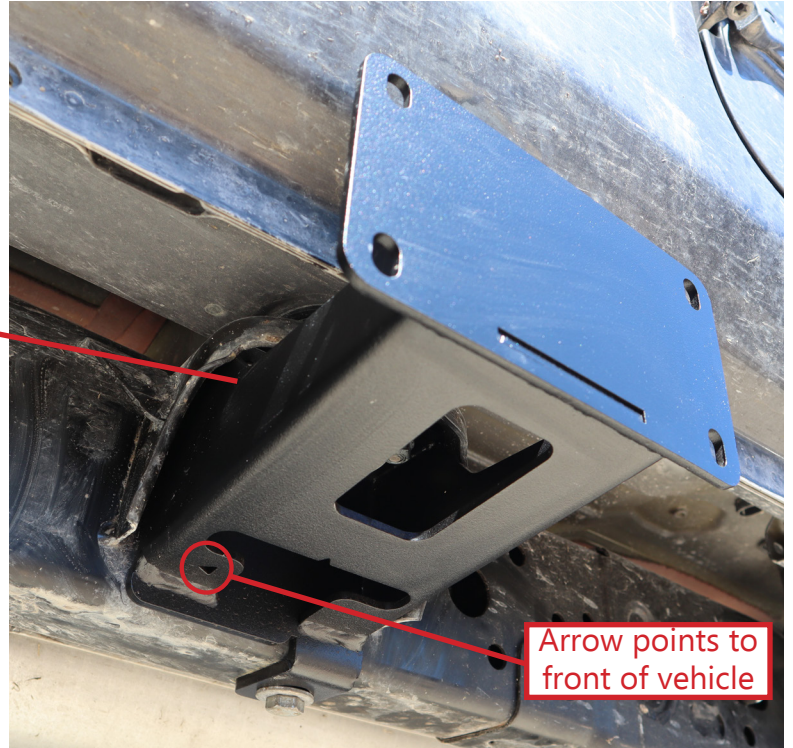
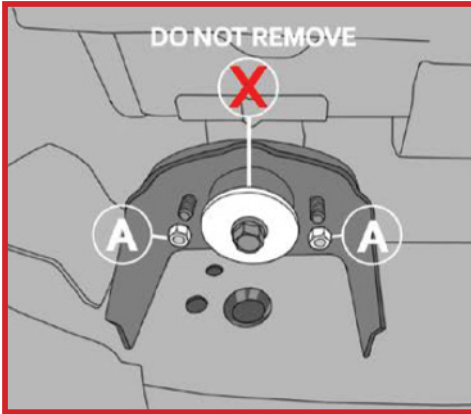
Hole in frame rail for Flag Nut



Slowly tighten both Hex Bolts equally. You can use a combination wrench or ratchet with a 3" extension to tighten the Hex Bolt in side of the frame rail.

## Installing the Center Mounts:

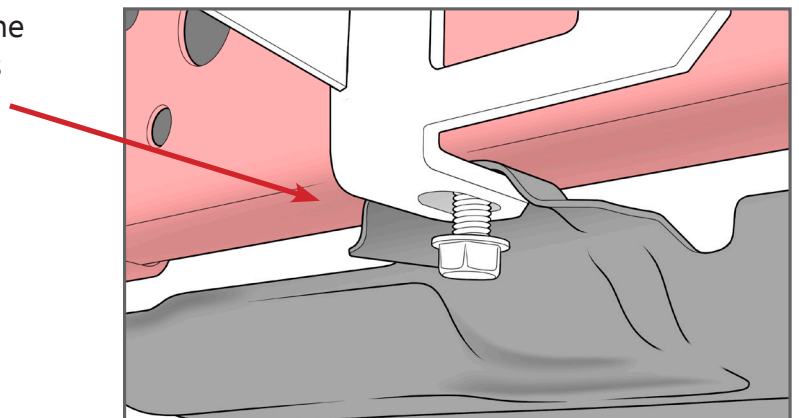
Install the Center Mounts as shown using the two body isolator nuts "A" shown below. You may need to loosen the large center bolt slightly if the large washer is in the way, but do not remove it.



Install the M12 Hex Bolt and washers into the bottom of the frame rail. There should be a frame nut in this position already the driver side (use the existing bolt on the passenger side).

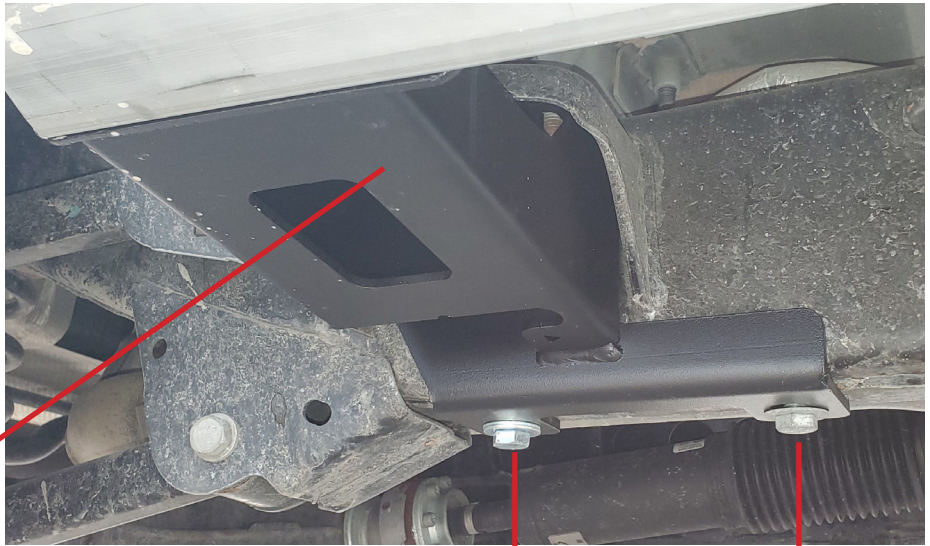
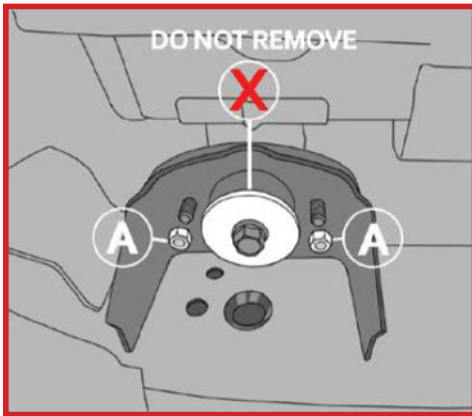
Every Jeep frame is slightly different. If you notice a small gap between the frame and the Center Mount lower tab, we include additional spacer washers to fill in this gap. Be sure to tighten all nuts and bolts securely.

If you have factory skid plates on your Jeep, the Slider Mount will mount over the skid plate as shown.



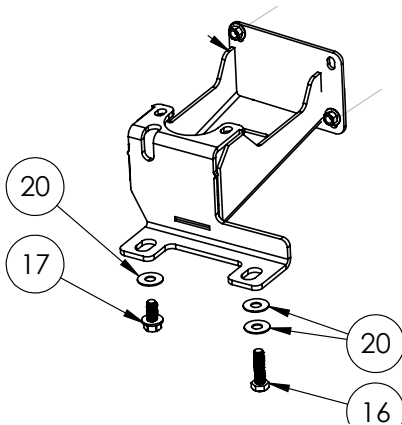
## Installing the Rear Mounts:

Install the Rear Mounts as shown using the two body isolator nuts "A" shown below. You may need to loosen the large center bolt slightly if the large washer is in the way, but do not remove it.



M12 Hex Bolt

Optional mounting location



Install the M12 Hex Bolt and Washer in the position shown above. There should already be a frame nut in this position.

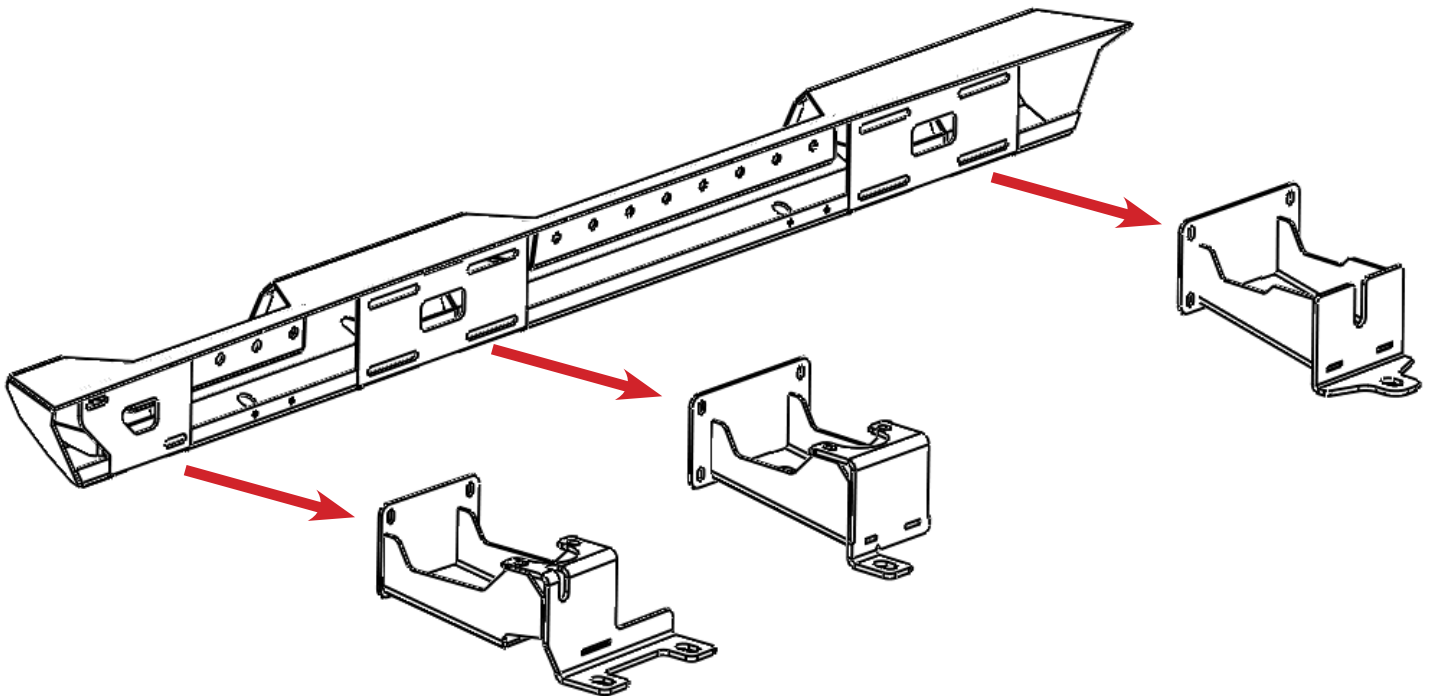
The lower mounting hole is optional (on both passenger and driver side Rear Mounts), but recommended for offroad use. Drill 7/16"Ø hole and insert the self tapping Thread Roller bolts provided. Slowly tighten unit

## Installing the Slider Body:

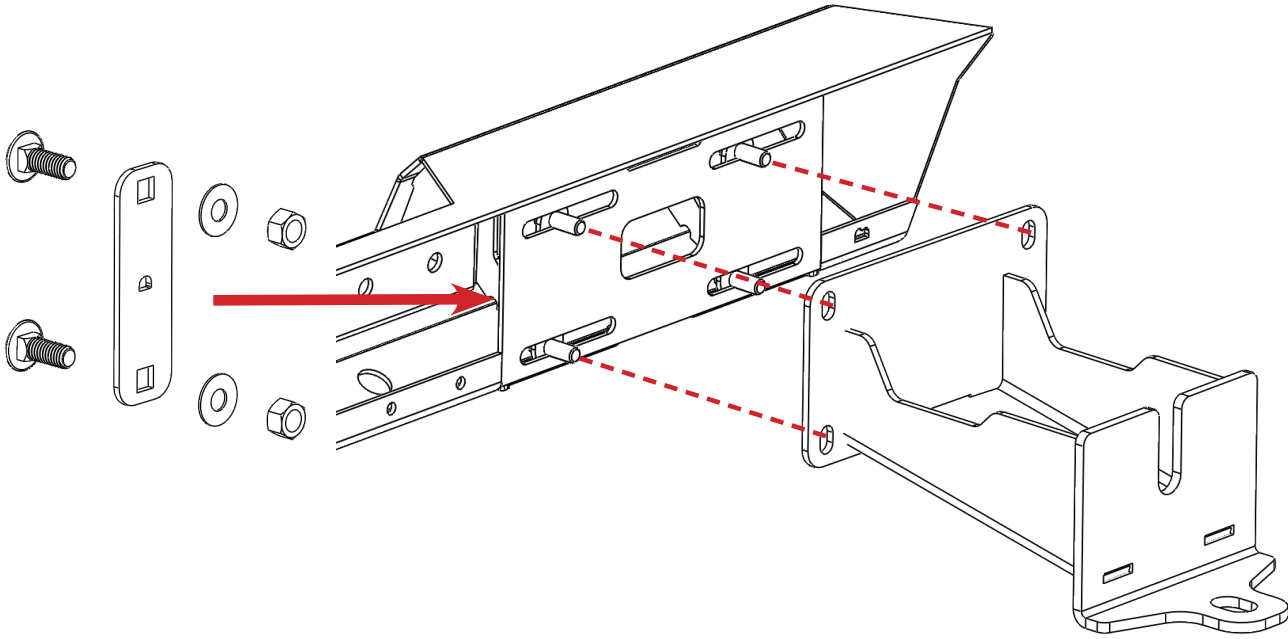
With your mounts installed and all bolts tight you can mount the Slider Body into position. The driver side is shown here, the installation will be the same for both sides.



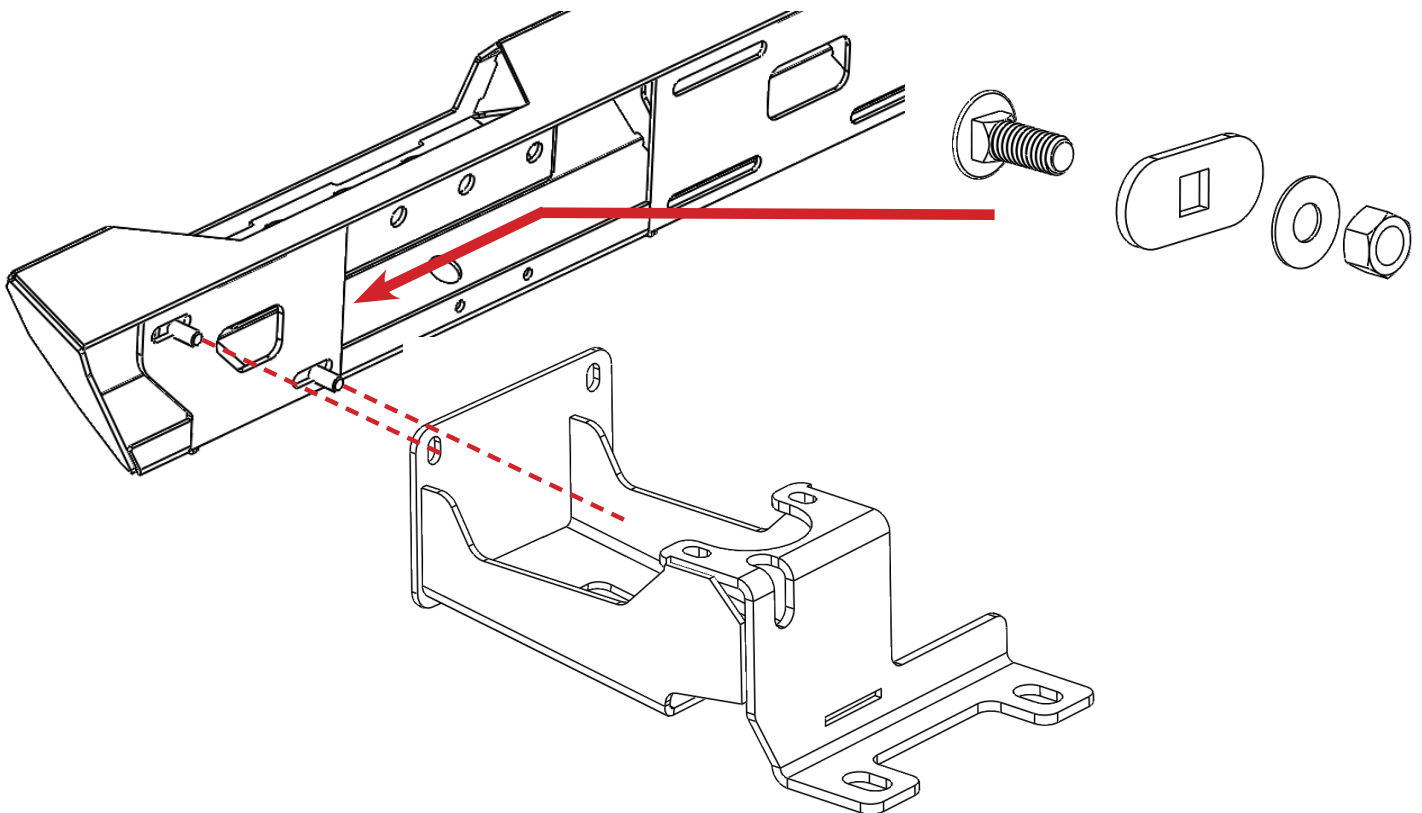
Place the Slider Body up to the Mounts and hold in the position shown while a helper installs the bolt plates for each mount.



The Front and Center Mounts will use the Backup Plate shown here. Install the Backup Plate from inside the Slider Body and secure with the 3/8" Carriage Bolt, Hex Nut and Washer. Leave these loose while you install the other Backup Plates.

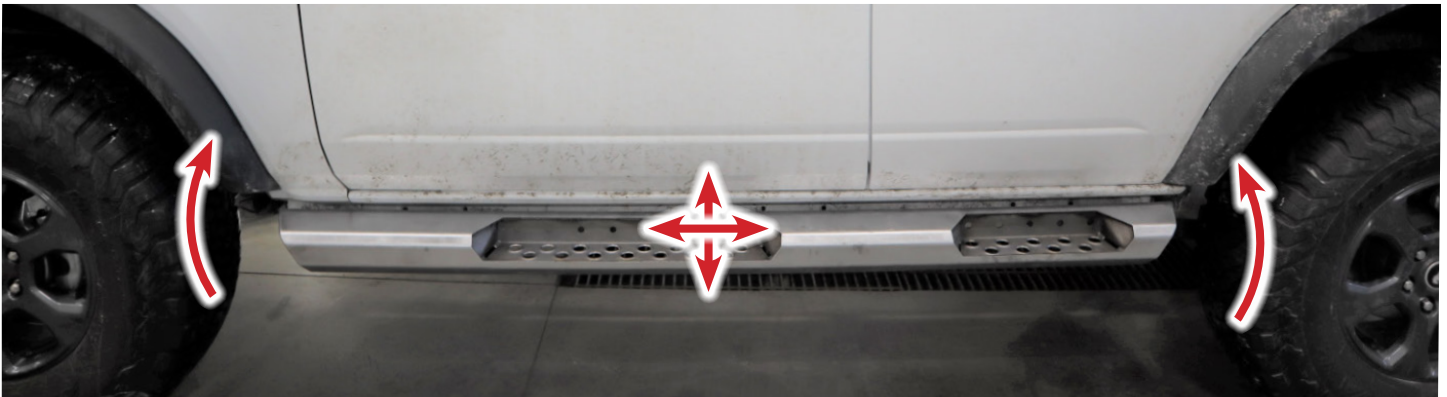


The Rear Mounts will use the Single Backup Plate shown here. Install the Backup Plate from inside the Slider Body and loosely secure with the 3/8" Carriage Bolt, Hex Nut and Washer.



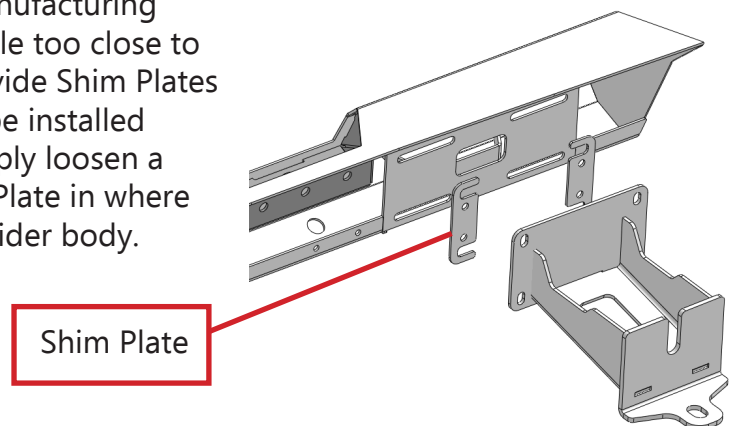
If necessary adjust the sliders slightly by rotating it, or moving up/down or forward/backward to center the sliders and get an even gap between the top sliders and your Jeep body.

For offroad use, we recommend that the Slider Body be in its lowest position possible to provide a greater gap between the Slider Body and the Jeep rocker panel.



Once you have your Slider in the perfect position, be sure to tighten all the bolt plates evenly.

Every Jeep is different and due to the Jeep manufacturing process, you might find that your slider is a little too close to the body of your Jeep. To resolve this we provide Shim Plates to help get the perfect gap. These plates can be installed without completely removing your slider. Simply loosen a few of the mounting bolts and slide the Shim Plate in where needed between the mount and back of the slider body.



### **\*\*Maintenance\*\***

- Periodically check and re-tighten all fasteners.
- Periodically check your Sliders for scratches or dings which can happen over time or after heavy use or highway driving. It is important to address these areas as soon as possible to prevent flaking and corrosion or rust from spreading. We recommend using Rustoleum® brand Black Semi-Gloss Protective Enamel (oil based). Remove loose powder coating, sand the area and clean using alcohol. Apply using a foam brush by dabbing to match the powder coat texture.

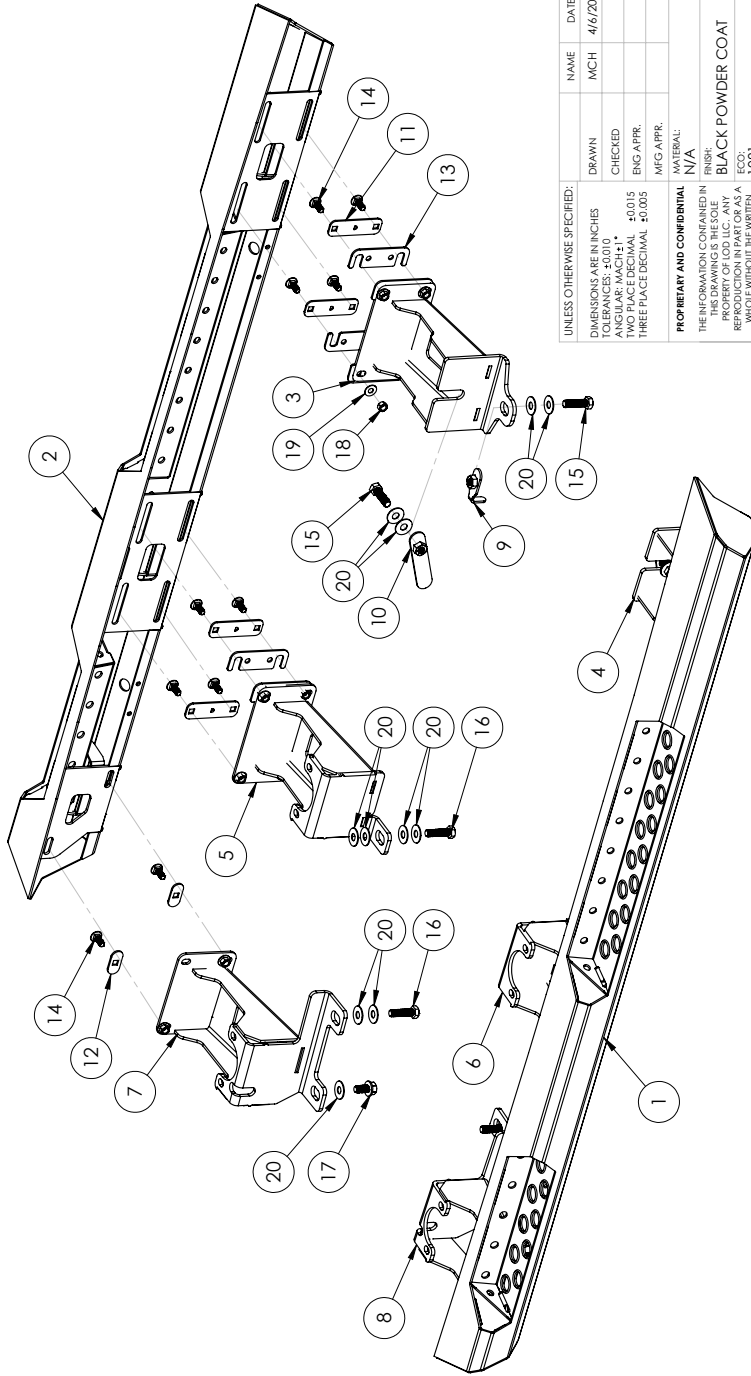




ITEM NO.	PART NUMBER	DESCRIPTION	QTY.
1	4JRS1854-01	JK/JL DESTROYER BODY - PS WELDMENT	1
2	4JRS1854-02	JK/JL DESTROYER BODY - DS WELDMENT	1
3	4JRS1860-04	JL SLIDER FRONT MOUNT DS	1
4	4JRS1860-01	JL SLIDER FRONT MOUNT PS	1
5	4JRS1860-05	JL SLIDER CENTER MOUNT DS	1
6	4JRS1860-02	JL SLIDER CENTER MOUNT PS	1
7	4JRS1860-06	JL SLIDER REAR MOUNT DS	1
8	4JRS1860-03	JL SLIDER REAR MOUNT PS	1
9	4JRS1860-07	FRONT LOWER FLAG NUT	2
10	4JRS1860-08	FRONT FLAG NUT	2
11	2BRS2021-41	DESTROYER DOUBLE BACKUP PLATE	8
12	2JRS1860-24	SINGLE BACKUP PLATE	4
13	2JRS1860-29	MOUNT SHIM PLATE	6

**BOLT KIT**

ITEM NO.	PART NUMBER	DESCRIPTION	QTY.
14	CB381616ZPGR5	CARRIAGE BOLT 3/8-16 X 1.00 ZINC PLATE GR5	20
15	HB501328ZPGR5	HEX BOLT 1/2-13 X 1.75 HEX BOLT ZINC PLATE GR5	4
16	HB12150M45ZPC188	HEX BOLT M12-1.50 x 45mm ZINC PLATE C18.8	3
17	TR501316ZP	THREAD ROLLER 1/2-13 X 1.00 HEX ZINC PLATE	2
18	HN3816ZPGR5	HEX NUT 3/8-16 ZINC PLATE GR5	20
19	FW3114ZP	FLAT WASHER Ø5/16" X .875" ZINC PLATE	20
20	FW4318ZP	FLAT WASHER Ø7/16 X 1.25" ZINC PLATED	20



- NOTES:**
- JRS1804 = BARE STEEL OPTION
  - JRS1814 = BLACK POWDER COAT
  - WEIGHT = APPROX 130.54 LBS

UNLESS OTHERWISE SPECIFIED:		NAME	DATE
DIMENSIONS ARE IN INCHES		MCH	4/6/2022
TOLERANCES UNLESS NOTED		DRAWN	
FRACTIONAL DECIMAL		CHECKED	
TWO PLACE DECIMAL	+0.015	ENG APPR.	
THREE PLACE DECIMAL	+0.005	MFG APPR.	
<b>PROPRIETARY AND CONFIDENTIAL</b>		MATERIAL	N/A
THE INFORMATION CONTAINED IN THIS DRAWING IS THE PROPERTY OF LOD LLC. ANY REPRODUCTION IN PART OR AS A WHOLE WITHOUT THE WRITTEN PERMISSION OF LOD LLC IS PROHIBITED.		FINISH	BLACK POWDER COAT
		DWG. NO.	JRS1804 JRS1814
		SCALE: 1:8	SHEET SIZE: B
		REV	D
			SHEET 1 OF 1



LOD LLC.

DESCRIPTION:

JEEP JL 4DR DESTROYER SLIDER



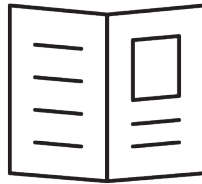
**JL Jeep**  
**DESTROYER SERIES**  
 JEEP JL 4DR DESTROYER  
 SLIDERS  
 SHIPPING SHEET - BOX 1

Packaged by:

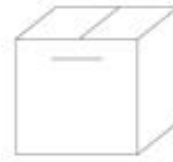
\_\_\_\_\_

On:

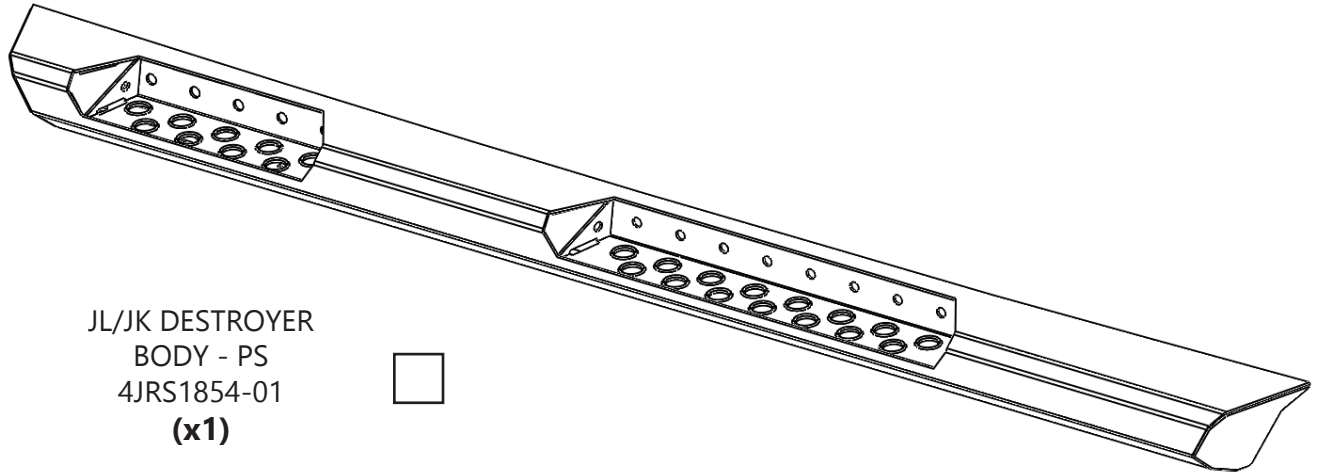
\_\_\_\_\_



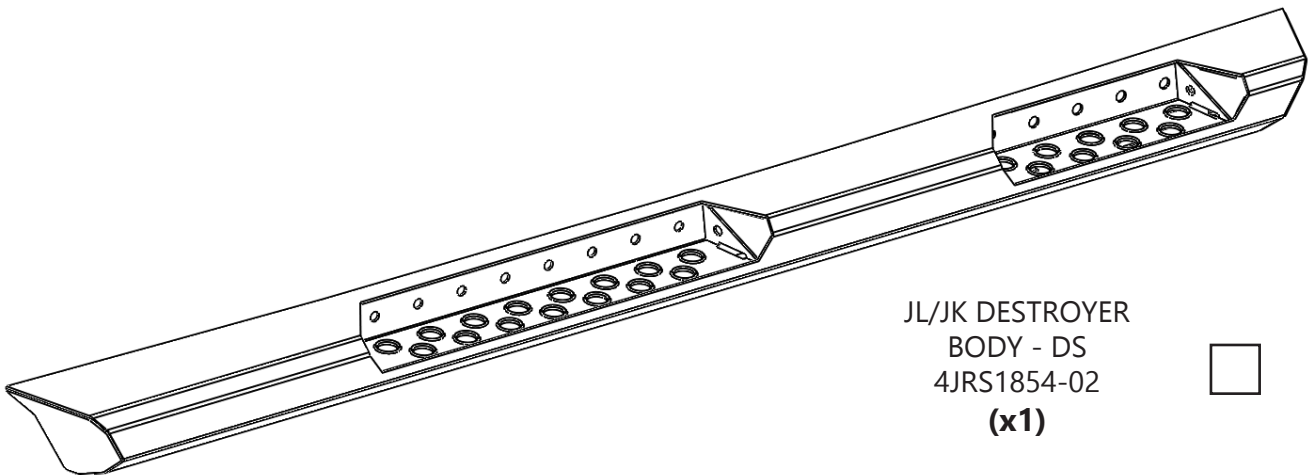
Instruction  
Booklet



Hardware Kit

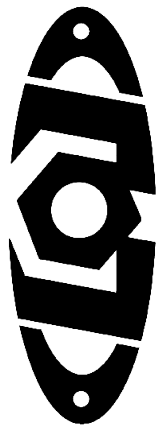


JL/JK DESTROYER  
 BODY - PS  
 4JRS1854-01  
**(x1)**



JL/JK DESTROYER  
 BODY - DS  
 4JRS1854-02  
**(x1)**



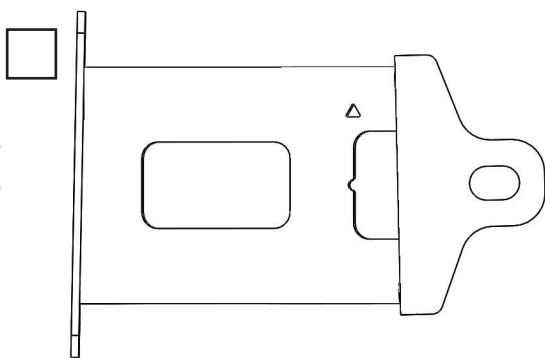


**JL Jeep**  
**DESTROYER SERIES**  
 JEEP JL 4DR DESTROYER  
 SLIDERS  
 SHIPPING SHEET - BOX 2

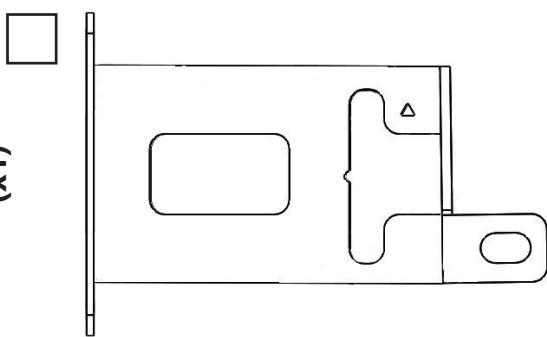
Packaged by: \_\_\_\_\_

On: \_\_\_\_\_

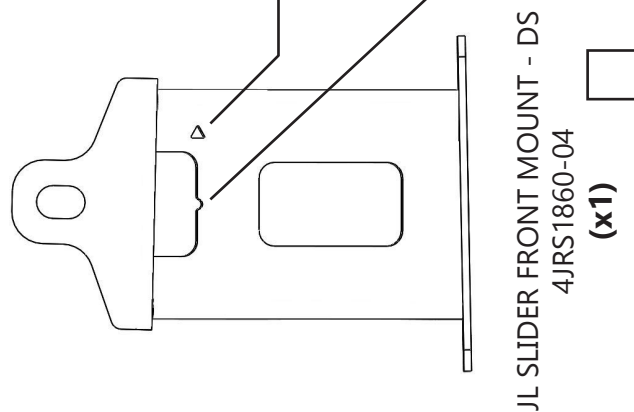
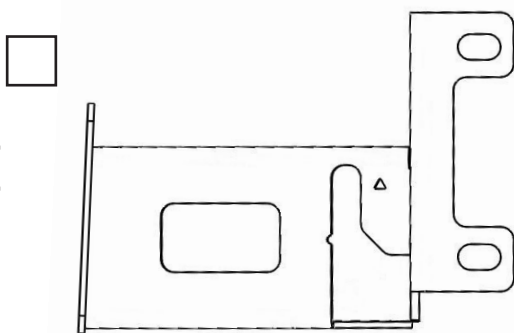
JL SLIDER FRONT MOUNT - PS  
 4JRS1860-01  
**(x1)**



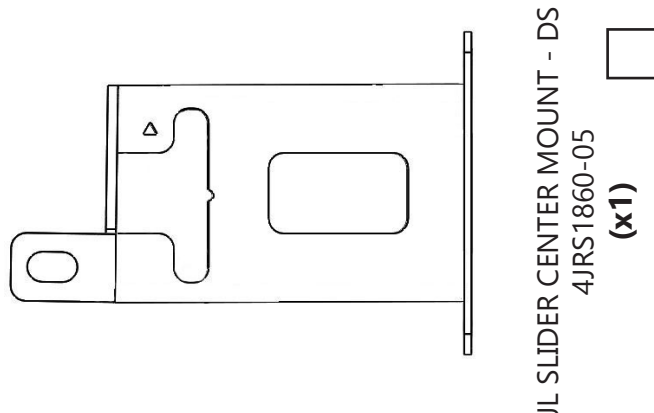
JL SLIDER CENTER MOUNT - PS  
 4JRS1860-02  
**(x1)**



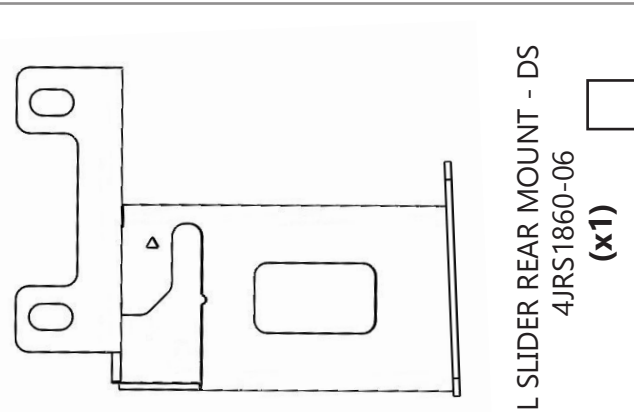
JL SLIDER REAR MOUNT - PS  
 4JRS1860-03  
**(x1)**



JL SLIDER FRONT MOUNT - DS  
 4JRS1860-04  
**(x1)**



JL SLIDER CENTER MOUNT - DS  
 4JRS1860-05  
**(x1)**



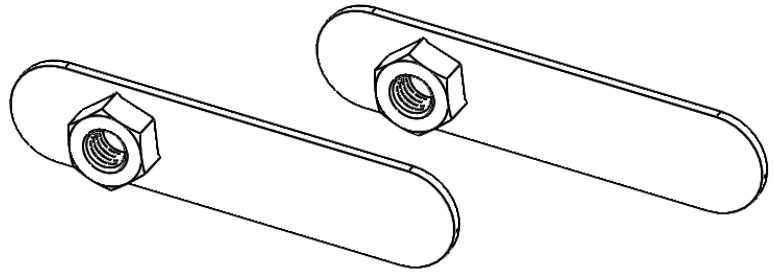
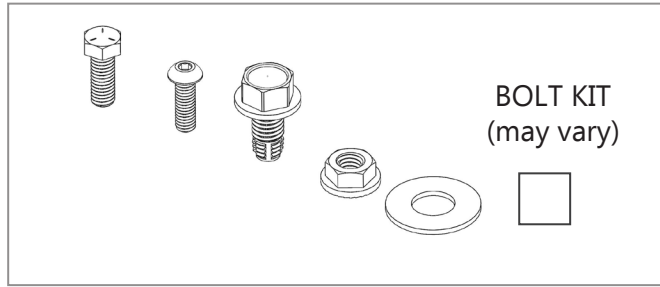
JL SLIDER REAR MOUNT - DS  
 4JRS1860-06  
**(x1)**



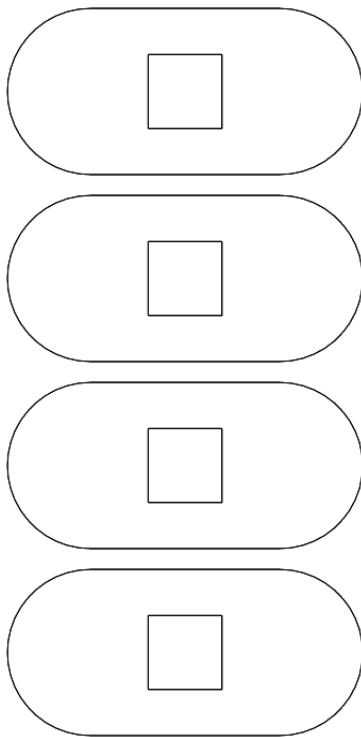
**JL Jeep**  
**DESTROYER SERIES**  
 JEEP JL 4DR DESTROYER  
 SLIDERS  
 HARDWARE KIT

Packaged by:

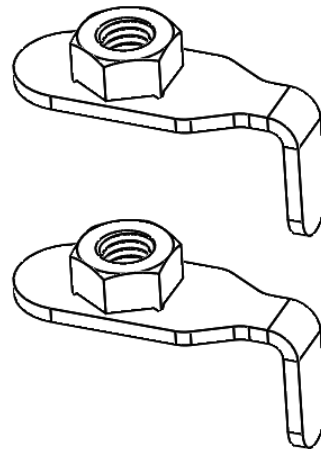
On: \_\_\_\_\_  
 \_\_\_\_\_



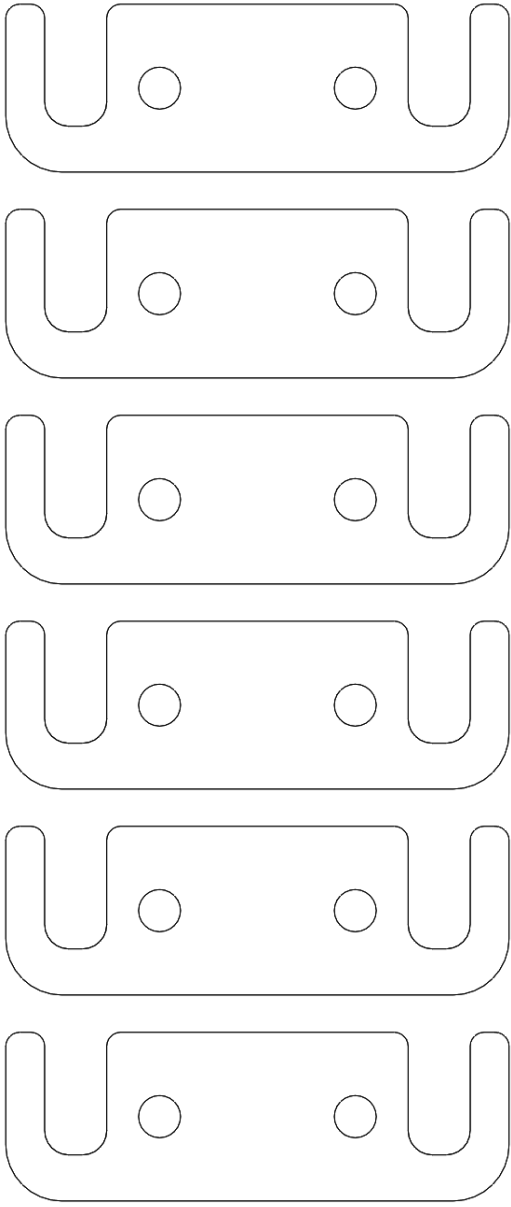
FRONT FLAG NUT  
 4JRS1860-08  
**(x2)**




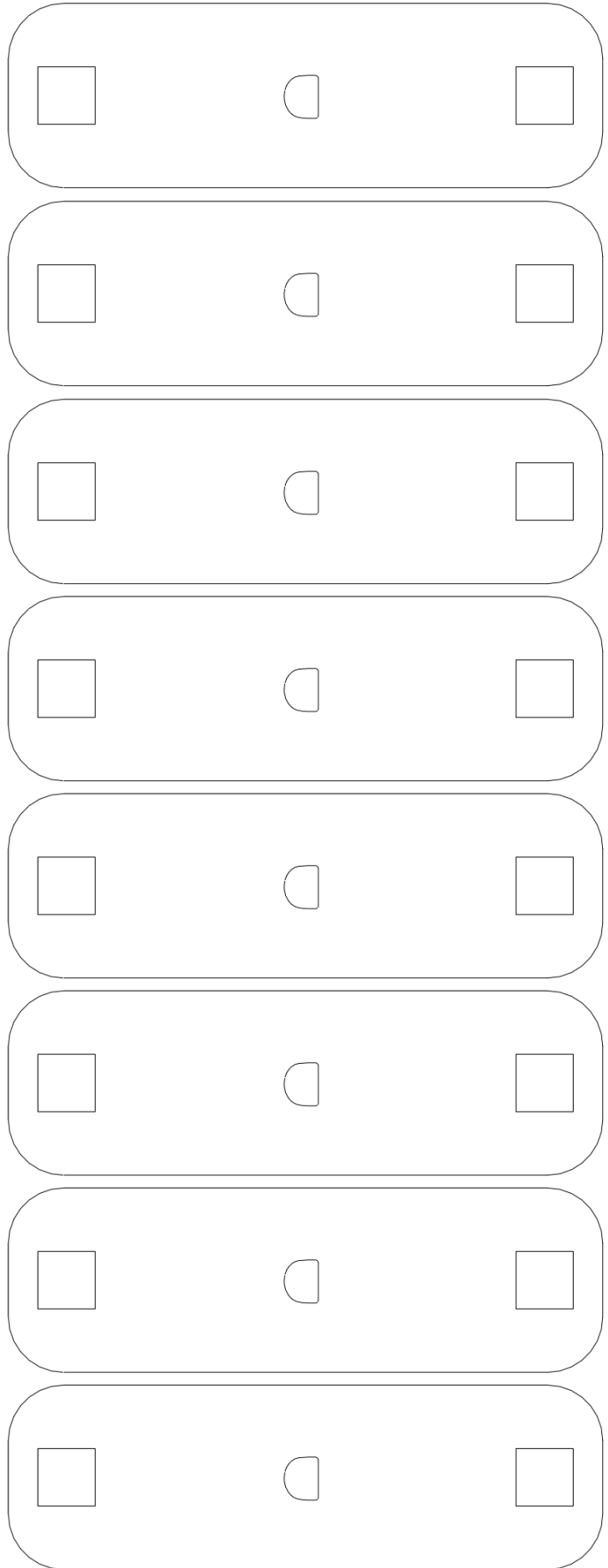
SINGLE BACKUP PLATE  
 2JRS1860-24  
**(x4)**




FRONT LOWER FLAG NUT  
 4JRS1860-07  
**(x2)**



MOUNT SHIM PLATE  
2JRS1860-29  
**(x6)** 



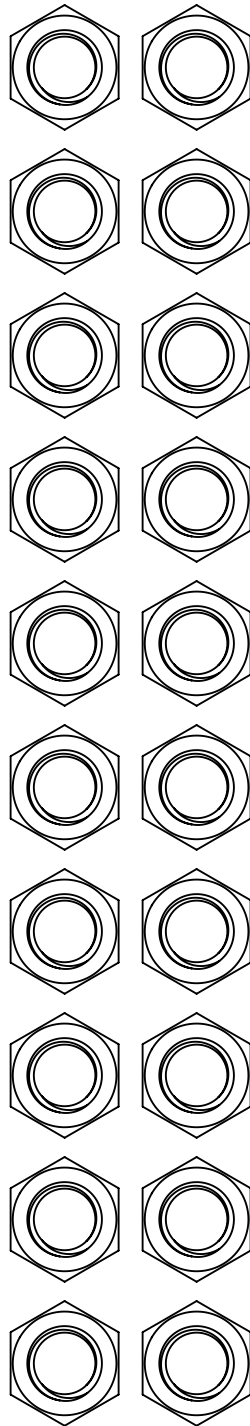
DESTROYER DOUBLE  
BACKUP PLATE  
2BRS2021-41  
**(x8)** 



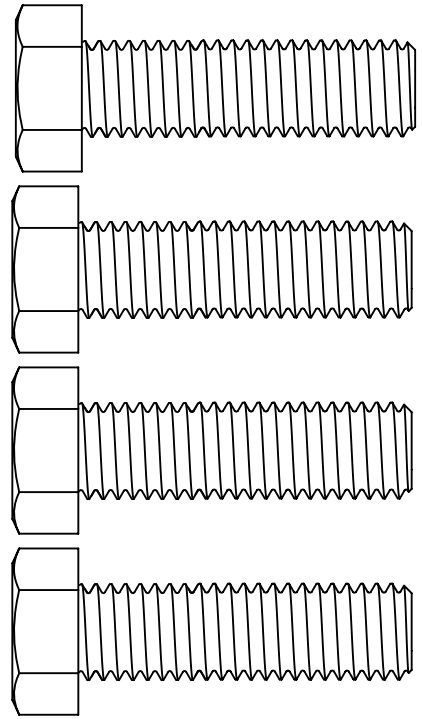
**JL Jeep**  
**DESTROYER SERIES**  
 JEEP JL 4DR DESTROYER  
 SLIDERS  
 BOLT KIT

Packaged by:

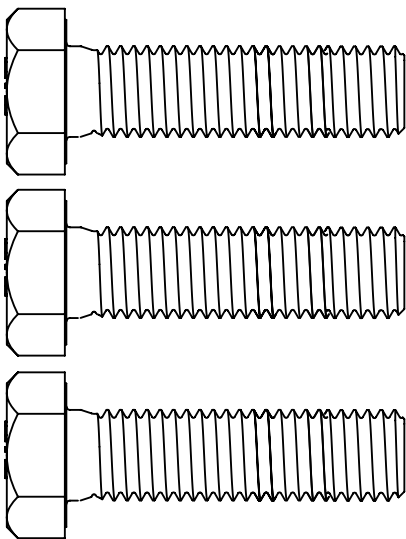
On: \_\_\_\_\_  
 \_\_\_\_\_



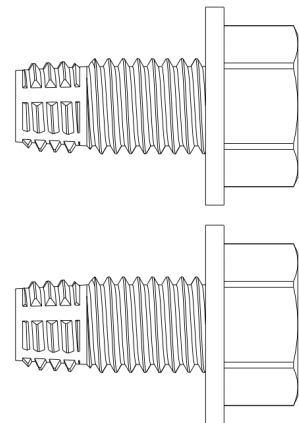
HEX NUT 3/8-16  
 1136306  
**(x20)**



HEX BOLT 1/2-13 X 1.75  
 (0137546)  
**(x4)**

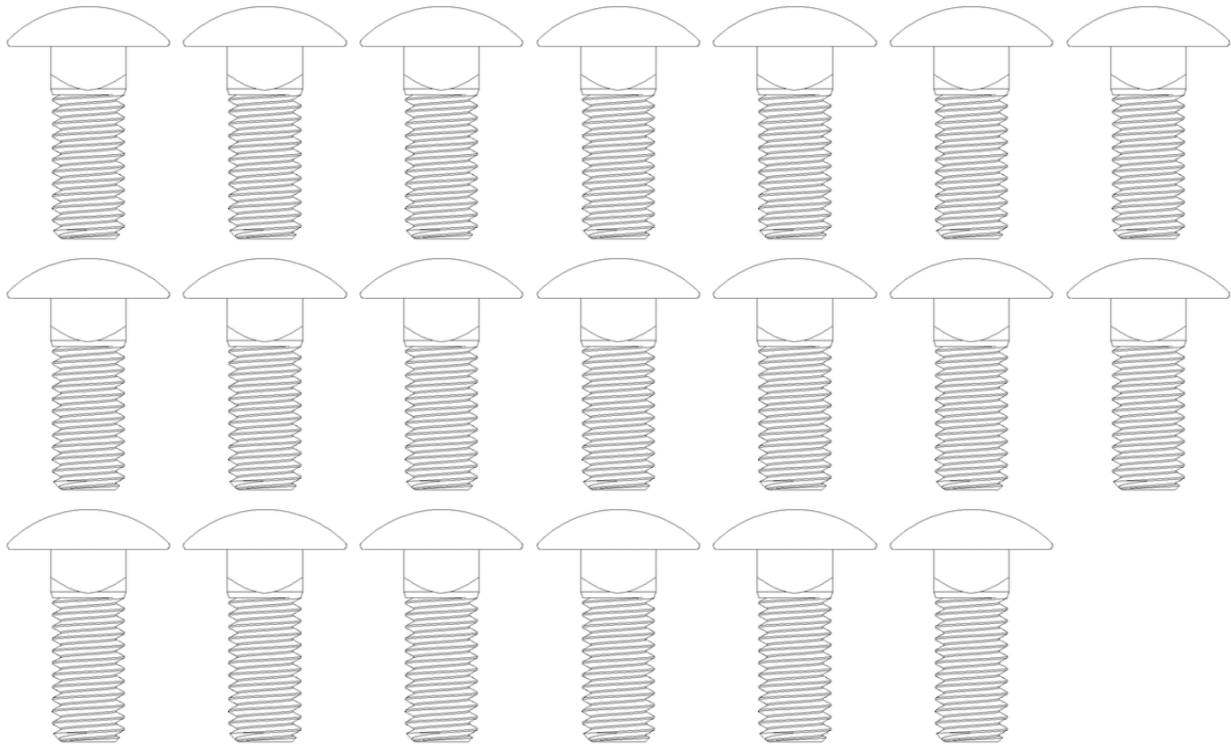


HEX BOLT M12-1.50 X 45MM  
 0159743  
**(x3)**

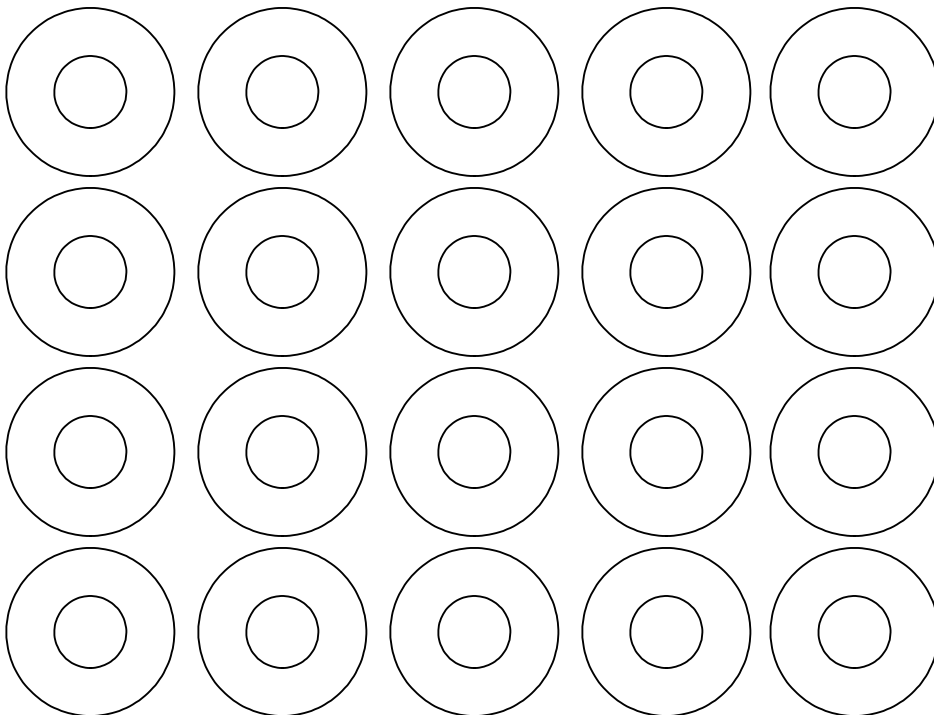


THREAD ROLLER 1/2-13 X 1.00  
**(x2)**

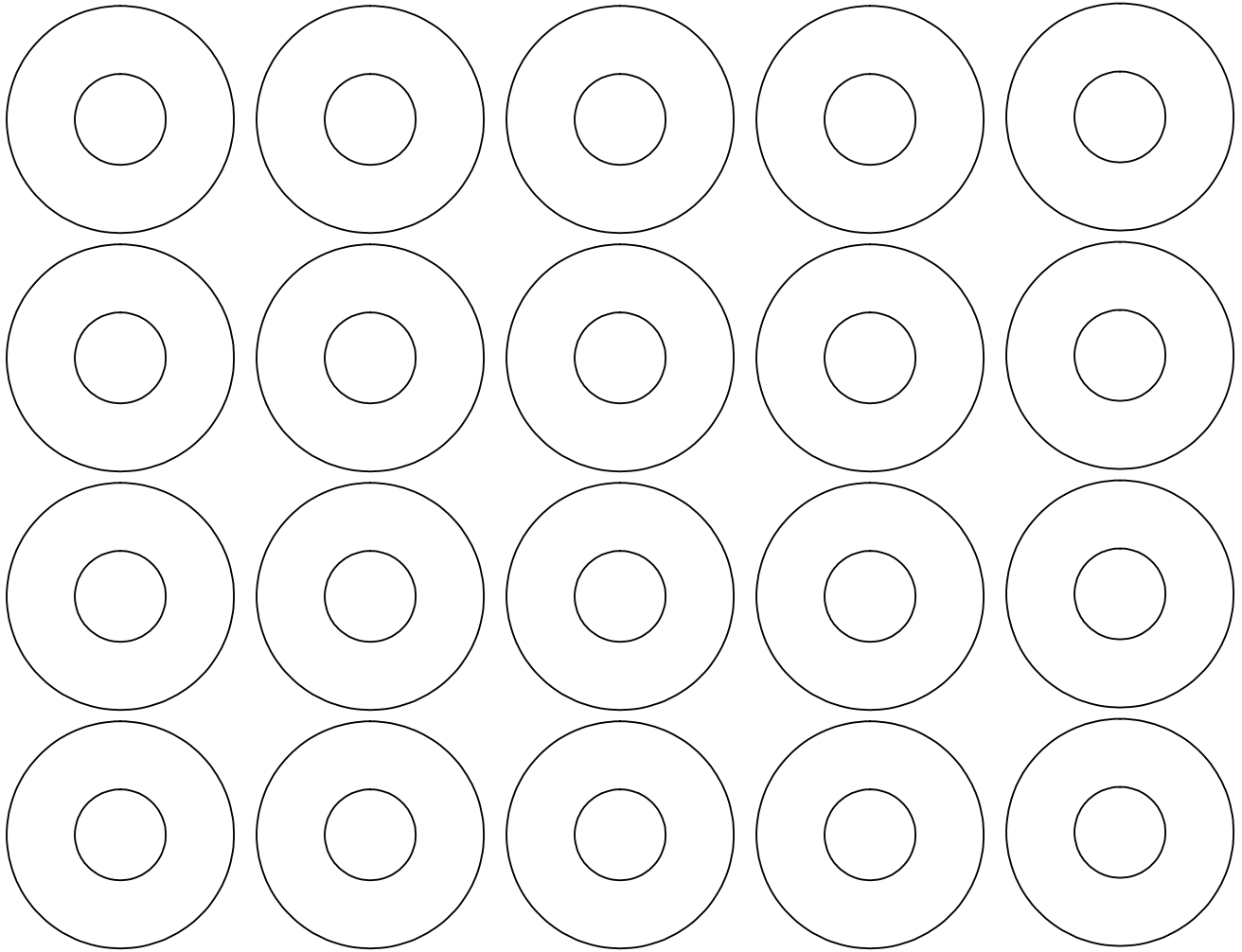




CARRIAGE BOLT 3/8-16 X 1.00  
(0155068)  
**(x20)**



FLAT WASHER  
5/16 X .875  
1133006  
**(x20)**



FLAT WASHER  
7/16 X 1.25  
(0159680)  
**(x20)**

