



DESTROYER SERIES



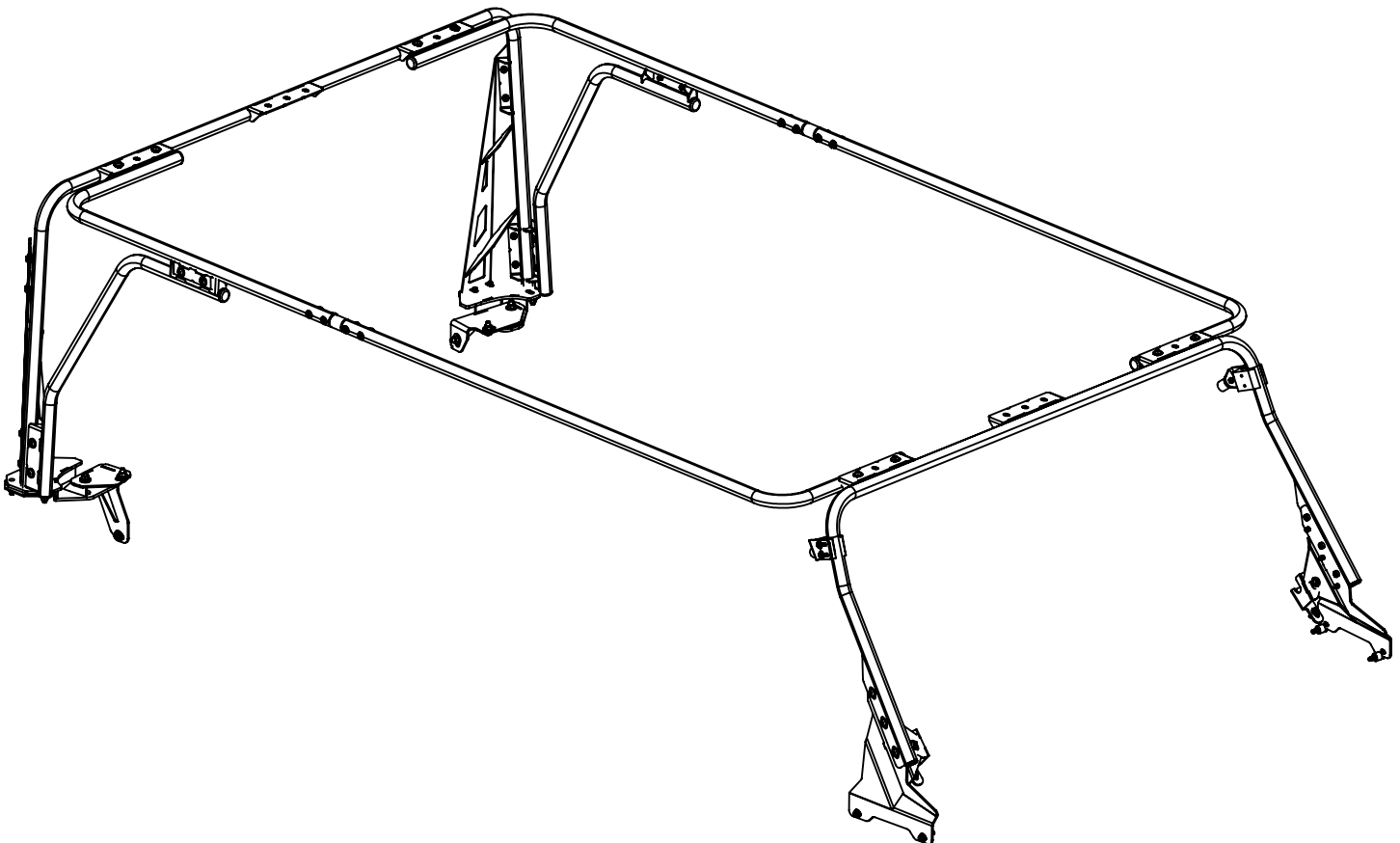
**JEEP JL 4DR
BASE ROOF RACK**



WEB LINK: <http://lodoffroad.com/assets/pdfs/JRR1804 JL 4DR Base Roof Rack.pdf>

VERIFY YOU HAVE ALL THE COMPONENTS BEFORE STARTING THE INSTALLATION. REFER TO THE ENGINEERING DRAWINGS AT THE END OF THIS DOCUMENT FOR A COMPLETE PARTS LIST

PLEASE READ THROUGH THE ENTIRE INSTRUCTION SET BEFORE BEGINNING THE INSTALLATION PROCESS



Refer to the Engineering drawings included with this document for the correct hardware required at each step of the installation.

Start by removing both driver side and passenger side windshield cowls.

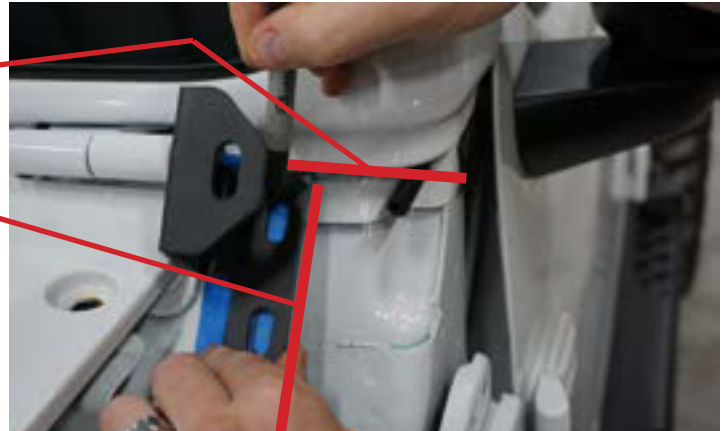


Install masking tape on body panel seam. Place the Cowl Mount Weldment DS (Driver Side) as shown and mark slots for drilling.



1/16" Max Gap

Align edge to edge



With both slots marked, use a transfer punch to mark the very center of both slots for drilling.



Drill the center of both slots using a 5/16" diameter drill bit. To improve your drilling accuracy, it is a good idea to drill these holes starting with a small diameter drill bit and get progressively larger.



Your drilled holes should be in the center of each slot as shown.



Install the Cowl Mount Weldment DS (Driver Side) as using 5/16" Hex Bolt, Nut and Washers.



Reinstall the Jeep driver side Cowl.



Install the JL Front Hoop Mount DS (Driver Side) as shown.



Be sure to use the aluminum spacers provided and M8 Socket Head Screw and Washer to correctly space the Front Hoop Mount from the plastic Cowl.

Aluminum
Spacer



Fasten the Front Hoop Cowl Mount as shown using 3/8" Button Head Screw, Washers and Nut.

Repeat the steps shown above for the passenger side.



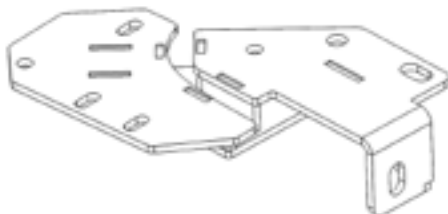
Remove the rear interior panels and tail light assemblies for both the driver side and passenger side.

Body
Tape

You will also need to remove the body tape covering the two holes shown.

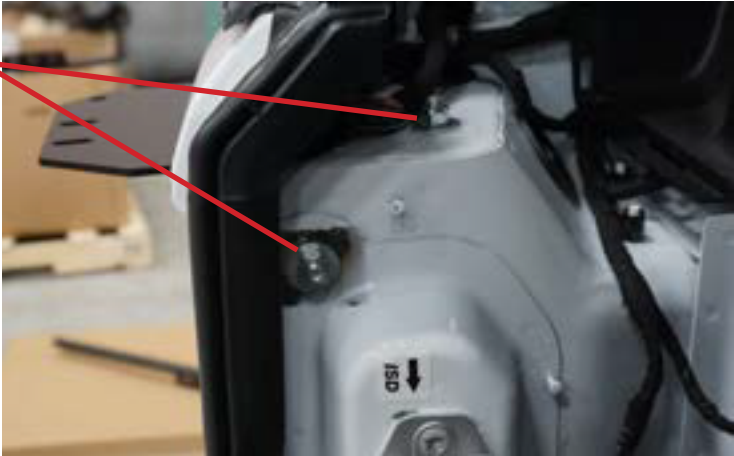


Install the JL Tail Light Mount DS (Driver Side) as shown and loosely fasten with two 3/8" Hex Bolts, Nut and Washers.



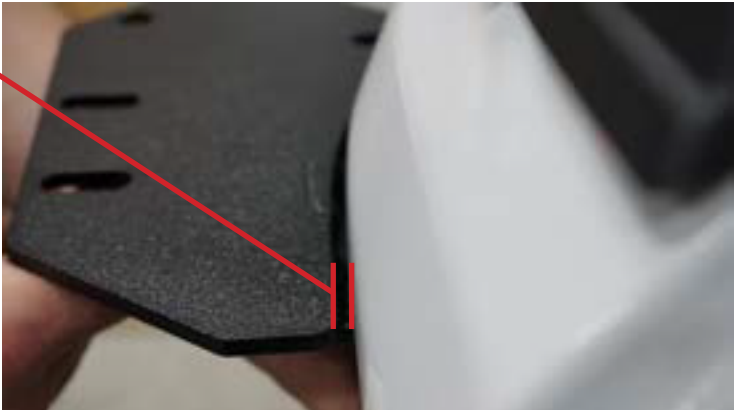
With the Rear Tail Light Mount loosely mounted inside the tail light housing, adjust the mount to maintain approx. 1/8" gap between the mounting plate and the curve of the body panel. Then tighten the two mounting bolts.

Mounting Locations

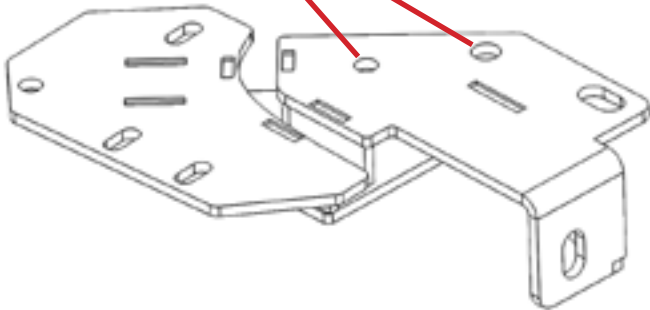


Using a marker, mark the two holes shown below inside the tail light housing.

Maintain 1/8" gap



Mark these holes



Remove the Tail Light Mount from the tail light housing.

Drill the two holes you marked with a 3/8" diameter drill bit. To improve your drilling accuracy, it is a good idea to drill these holes starting with a small diameter drill bit and get progressively larger.

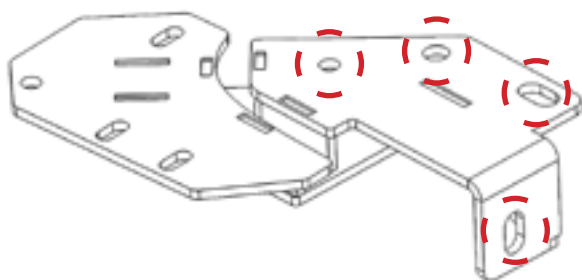


Depending on the type of drill you have, you may need to use a "Stub-Length" drill bit or a "Step Drill" bit to get this done.

Add rubber trim to the top edge of the tail light opening



Reinstall the JL Tail Light Mount DS as shown with 3/8" Hex Bolts, Nuts and Washers in all 4 mounting locations and tighten securely.



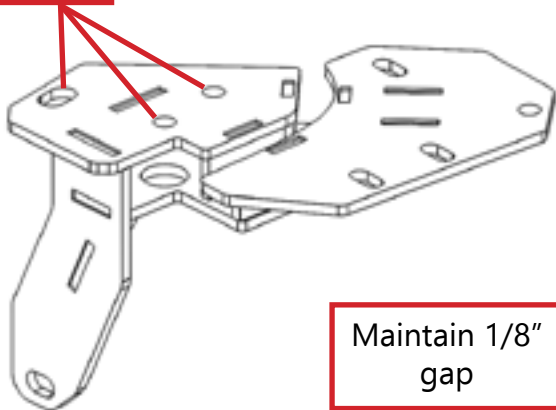
For the passenger side you will need a friend to help hold the JL Tail Light Mount PS (Passenger Side) inside the tail light housing.

Adjust the mount to maintain approx. 1/8" gap between the mounting plate and the curve of the body panel.

Using a marker, mark the three holes shown below inside the tail light housing.



Mark these holes



Maintain 1/8" gap



Remove the Tail Light Mount from the tail light housing.

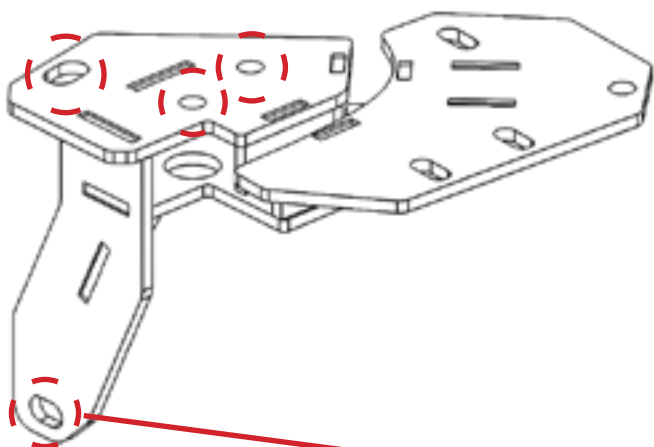
Drill the three holes you marked with a 3/8" diameter drill bit. To improve your drilling accuracy, it is a good idea to drill these holes starting with a small diameter drill bit and get progressively larger.



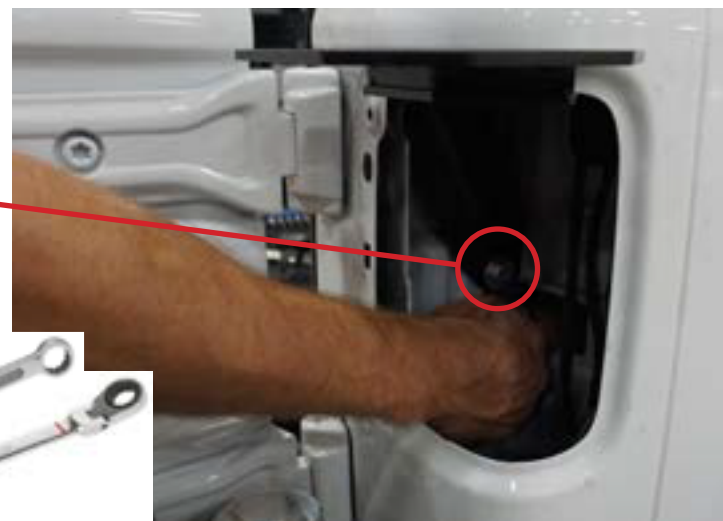
Add rubber trim to the top edge of the tail light opening



Reinstall the JL Tail Light Mount PS as shown with 3/8" Hex Bolts, Nuts and Washers in all 4 mounting locations and tighten securely.



It helps to use the box end of a combination wrench or a flex ratcheting wrench to hold the nut while you tighten the bolt in this location.



Place the Rear Hoop Weldment on top of the Tail Light Mounts. Loosely fasten in the two locations shown with 3/8" Button Head Screws, Nuts and Washers. Do this on both the driver and passenger side.



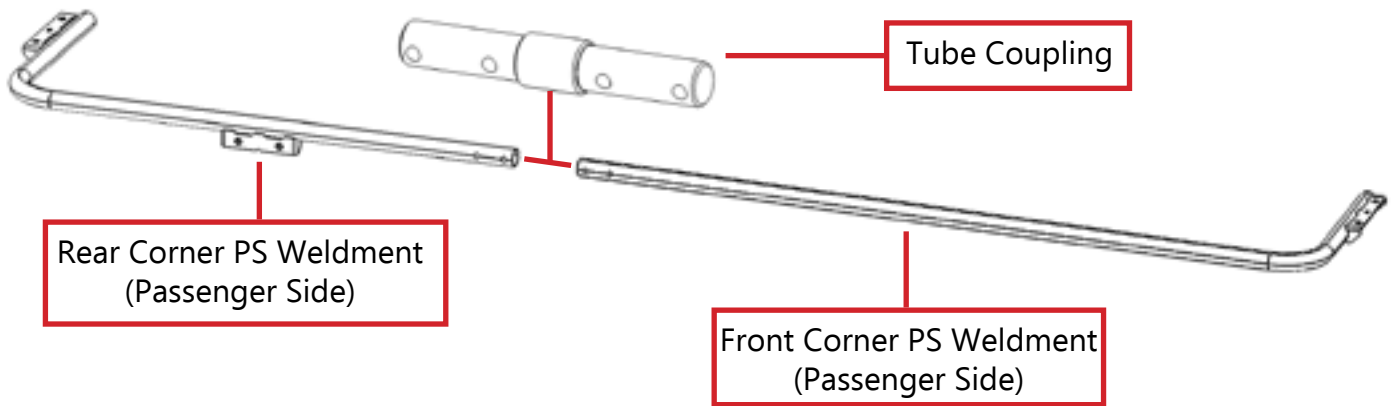
Install the JL Front Hoop Weldment onto the Front Hoop Mounts as shown. Fasten with 3/8" Button Head Screws and Washers. Be sure to position the Front Hoop Weldment so that all fasteners are centered in the mounting slots.



Install the Hole Plugs into the open tube ends of the Front Hoop Weldment.

We recommend using black or clear Silicone to seal the hole plug into the tube end.





** Add sealant onto the Tube Coupling before installing into the Front and Rear Corner Weldments. **

Install the Tube Coupling into the Rear Corner PS Weldment and the Front Corner PS Weldment using 5/16" Button Head Screws, Nuts and Washers.

Install the Hole Plugs with sealant into the open tube ends of the Front and Rear Corner Weldments.

Loosely install this assembly onto the Front and Rear Hoops using 3/8" Button Head Screws and Washers.

Repeat the steps above for the Driver Side Front and Rear Corner Weldments.



Loosely Install the Rear Bar Gusset PS (Passenger Side) onto the rack using 3/8" Button Head Screws and Washers. Repeat the installation for the Drivers Side.

Be sure to install Hole Plugs with sealant into the open tube ends!



Loosely install Rear Corner Gusset Weldment (PS) Passenger Side onto the Tail Light Mount and Rack as shown using 3/8" Button Head Screws and Washers.

Repeat the Installation for the Driver Side.



****Once all components are installed, tighten all screws and bolts!**
Do this BEFORE installing your Front Stabilizers!**

Install the Front Stabilizers on both the driver and passenger side using 3/8" Button Head Screws and Washers.

Install the Leveling Bumper and Threaded Knob. There are two on each Stabilizer. Use a 5/16" Hex Nut to lock the Leveling Bumper to the Threaded Knob.

Adjust the knobs on both sides equally to add pressure to the Front Windshield Hoop.



In order to reinstall the tail lights, you will need to trim the top plastic surface from the tail light assembly.

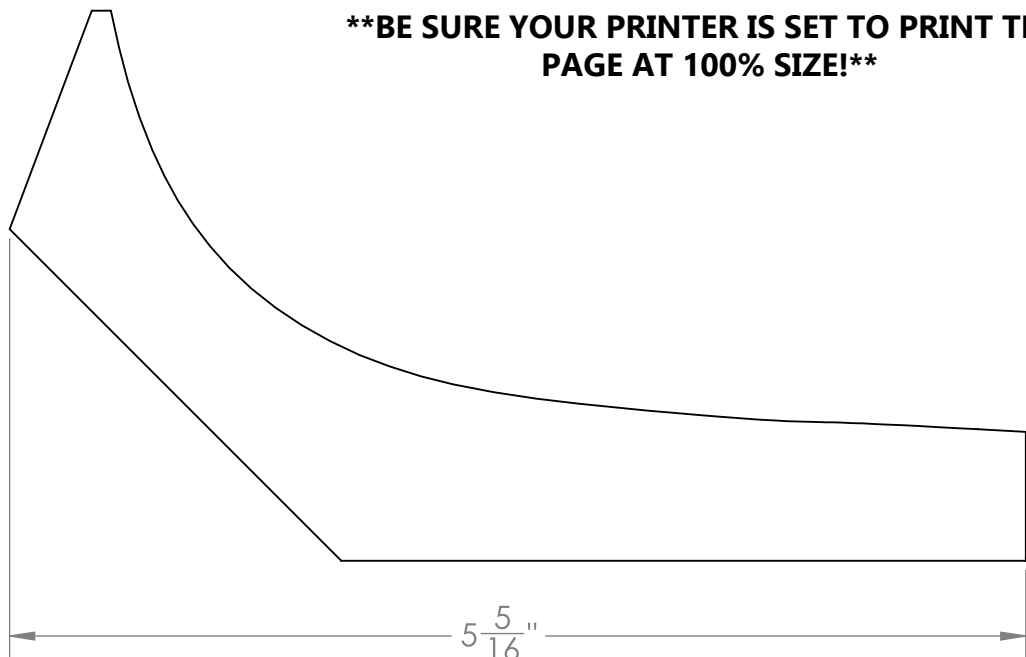
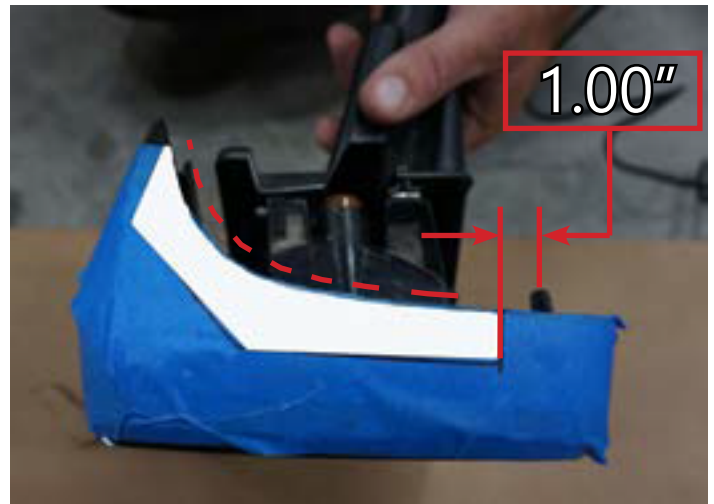
Top View of Driver Side Tail Light Shown Here

To do this, cover the top surface of your tail light with masking tape. Cut out the template shown below and place it on the tail light.

Align the curve of the template with the curve of the tail light. The template should start approximately 1.00" from the center of the alignment pin.

Trace the template with a marker.

The tail light shown here is the standard non-LED version. The template will work for the LED tail light version as well.



Use a Dremel Rotary tool to carefully cut along the template lines.

Make sure you clamp the tail light to a table top or have someone hold it while cutting.

A smaller diameter Dremel bit is easier to control, we used 1/16" diameter bit, but a slightly large bit would also work well.



If you have the non-LED tail lights, you will also need to trim some of the support rib structure inside the tail light.



Use a small file or sand paper to clean up the cut edges.

Repeat the same process for the passenger side tail light and re-install in the Jeep.



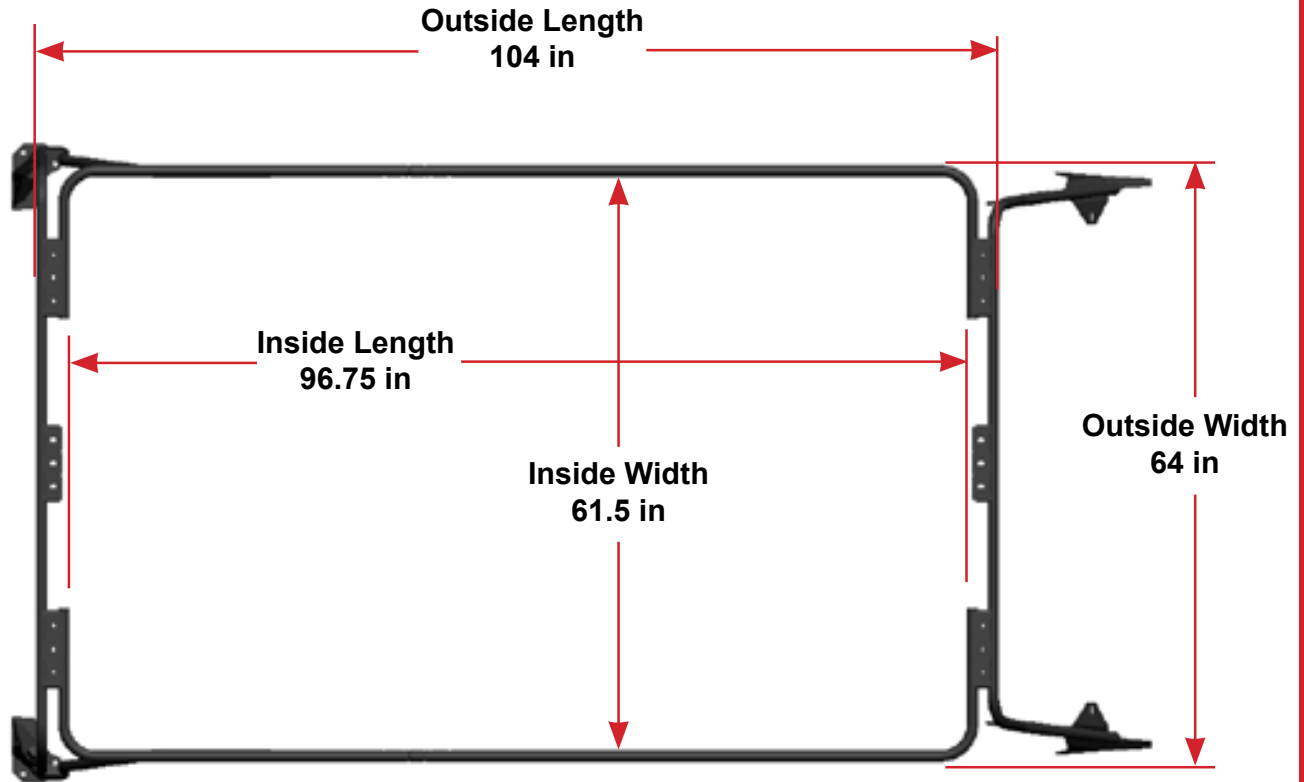
Before re-installing your interior corner panels, you may need to trim some supporting ribs that rest just above the tail light housing. The driver side interior panel is shown here. Trim these ribs for both driver and passenger side.

Supporting rib structure
to be trimmed



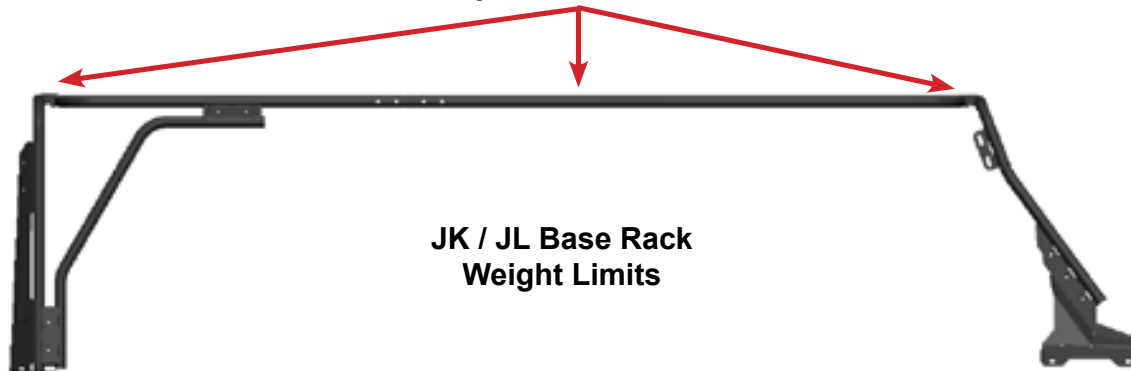
****The Base Rack Installation is now complete! We recommend after a few days to check all screws and bolts to make sure they are tight.****

****Base Rack Specifications****



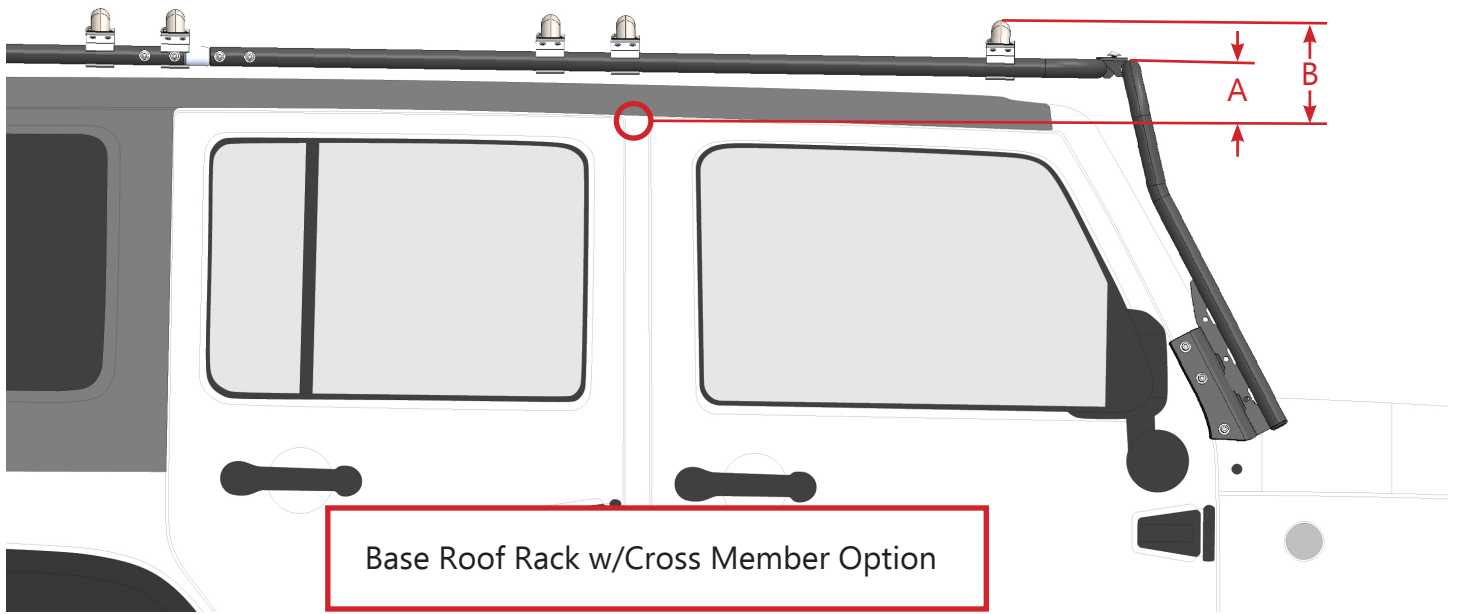
JK / JL Base Rack Dimensions

**800 Lbs Static
300 lbs Driving
Evenly Distributed Load**



**JK / JL Base Rack
Weight Limits**

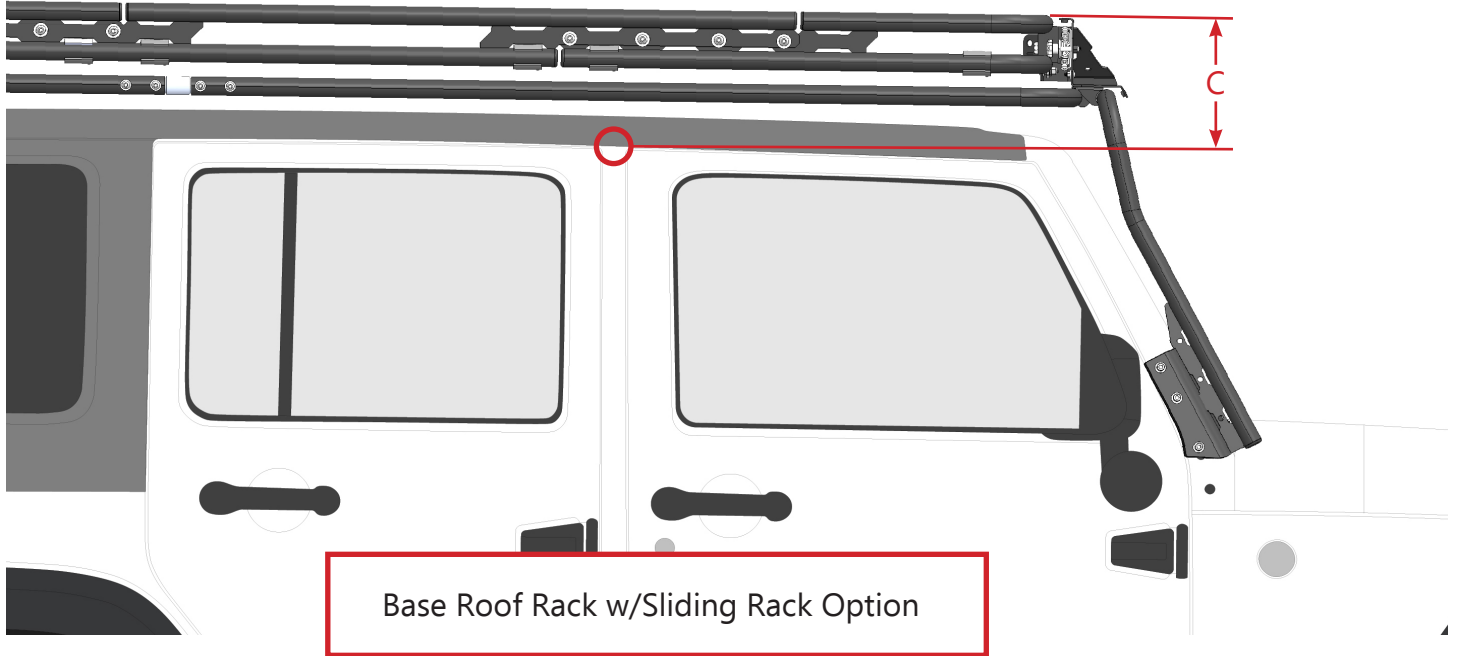
****Load limitations apply only to on-road use on level ground. Max loads do not apply for offroad use.****



Base Roof Rack w/Cross Member Option

	"A"	"B"	"C"
Jeep JKU	5.00 in	7.12 in	10.00 in
Jeep JLU	6.00in	8.12 in	11.00 in

Dimensions are measured from the top of the door at the B pillar.



Base Roof Rack w/Sliding Rack Option

****Maintenance****

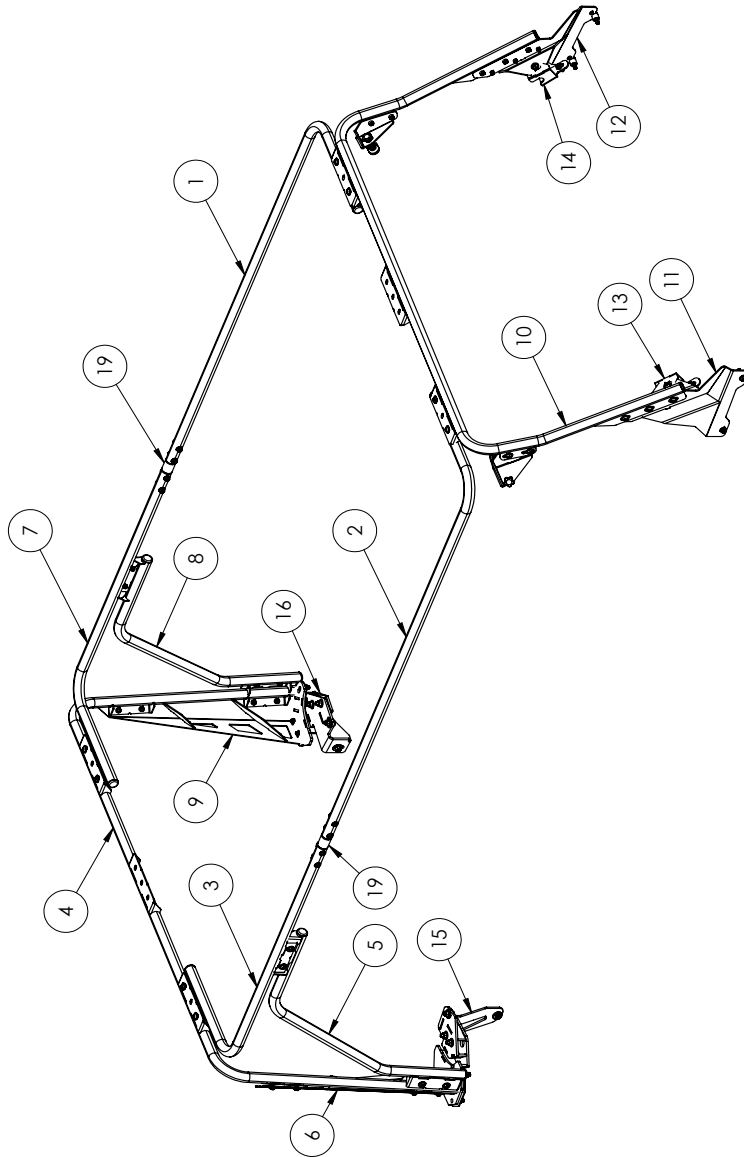
- Periodically check and re-tighten all fasteners.
- Periodically check your product for scratches or dings which can happen over time or after heavy use or highway driving. It is important to address these areas as soon as possible to prevent flaking and corrosion or rust from spreading. We recommend using Rustoleum® brand Black Semi-Gloss Protective Enamel (oil based). Remove loose powder coating, sand the area and clean using alcohol. Apply using a foam brush by dabbing to match the powder coat texture.



ITEM NO.	PART NUMBER	DESCRIPTION	QTY.
1	4JRR0704-03	FRONT CORNER DS WELDMENT	1
2	4JRR0704-11	FRONT CORNER PS WELDMENT	1
3	4JRR0704-18	REAR CORNER PS WELDMENT	1
4	4JRR0704-24	REAR HOOP WELDMENT	1
5	4JRR0704-20	REAR BAR GUSSET PS	1
6	4JRR0704-22	REAR CORNER GUSSET WELDMENT PS	1
7	4JRR0704-19	REAR CORNER DS WELDMENT	1
8	4JRR0704-21	REAR BAR GUSSET DS	1
9	4JRR0704-23	REAR CORNER GUSSET WELDMENT DS	1
10	4JRR1804-01	JL FRONT HOOP WELDMENT	1
11	4JRR1804-04	JL FRONT HOOP MOUNT PS	1
12	4JRR1804-05	JL FRONT HOOP MOUNT DS	1
13	4JRR1804-02	COWL MOUNT WELDMENT PS	1
14	4JRR1804-03	COWL MOUNT WELDMENT DS	1
15	4JRR1804-07	JEEP JL TAIL LIGHT MOUNT DS	1
16	4JRR1804-06	JEEP JL TAIL LIGHT MOUNT PS	1
17	4JRR1804-08	FRONT STABILIZER WELDMENT PS	1
18	4JRR1804-09	FRONT STABILIZER WELDMENT DS	1
19	2JRR0704-79	TUBE COUPLING	2
20	2JRR1804-10	FRONT WINDSHIELD SPACER	4

HARDWARE

ITEM NO.	PART NUMBER	DESCRIPTION	QTY.
21	BHSCS311828ZP	BHSCS 5/16-18 X 1.75 ZINC PLATE	8
22	BHSCS381612ZP	BHSCS 3/8-16 X .75 ZINC PLATE	34
23	BHSCS381616ZP	BHSCS 3/8-16 X 1.00 ZINC PLATE	10
24	SHSCS08125M40ZP	SHSCS M8-1.25 x 40mm ZINC PLATE CL8.8	4
25	HB311816ZPGR5	HEX BOLT 5/16-18 X 1.00 ZINC PLATE GR5	4
26	HB381616ZPGR5	HEX BOLT 3/8-16 X 1.00 ZINC PLATE GR5	8
27	HN3118ZPGR5	HEX NUT 5/16-18 ZINC PLATE GR5	16
28	HN3816ZPGR5	HEX NUT 3/8-16 ZINC PLATE GR5	14
29	FW2512ZP	FLAT WASHER Ø1/4" X .75 ZINC PLATE	28
30	FW3114ZP	FLAT WASHER Ø5/16" X .875" ZINC PLATE	50
31	FW3816ZP	FLAT WASHER Ø3/8" X 1.00 ZINC PLATE	16
32	FW4318ZP	FLAT WASHER Ø7/16 X 1.25" ZINC PLATED	8
33	HP1003	HOLE PLUG Ø1.25" 10-14GA (MOCAP RNI-1/4DBK1)	10
34	TR1001	RUBBER EDGE TRIM (TRIM LOK X2102)	12"
35	BP1002	LEVELING BUMPER, 5/16-18	4
36	KN1004	KNOB, 5/16-18 x 1.56" LG THREADED STUD	4



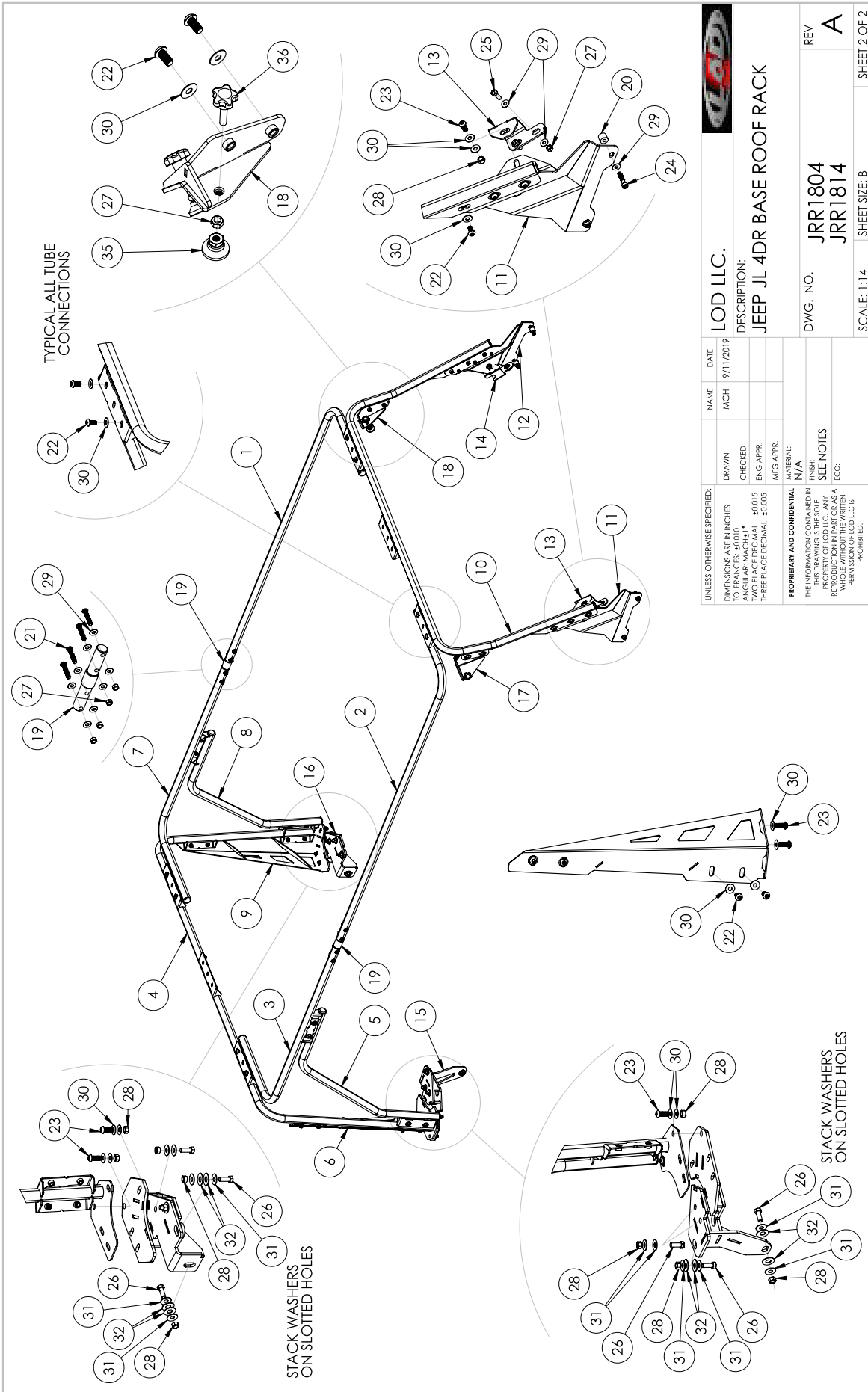
- NOTES:**
1. JRR1804 = BARE STEEL OPTION
2. JRR1814 = BLACK POWDER COAT OPTION

UNLESS OTHERWISE SPECIFIED:		NAME	DATE
DIMENSIONS ARE IN INCHES		MCH	12/10/2019
ANGULAR DIMENSIONS		CHECKED	
TWO PLACE DECIMAL ±0.015		ENG APPR.	
THREE PLACE DECIMAL ±0.005		MFG APPR.	
PROPRIETARY AND CONFIDENTIAL		MATERIAL:	N/A
THE INFORMATION CONTAINED IN THIS DRAWING IS THE SOLE PROPERTY OF LOD LLC. ANY REPRODUCTION IN PART OR AS A WHOLE WITHOUT THE WRITTEN PERMISSION OF LOD LLC IS PROHIBITED.		FINISH:	SEE NOTES
		ECO:	-
		DWG. NO.	JRR1804 JRR1814
		SCALE:	1:14
		SHEET SIZE:	B
		REV	A
			SHEET 1 OF 2



LOD LLC.

DESCRIPTION:
JEEP JL 4DR BASE ROOF RACK



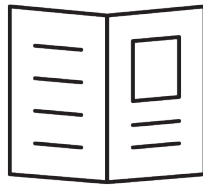


**JL Jeep
DESTROYER SERIES**

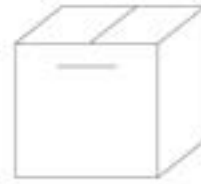
JEEP JL 4DR
BASE ROOF RACK
SHIPPING SHEET

Packaged by:

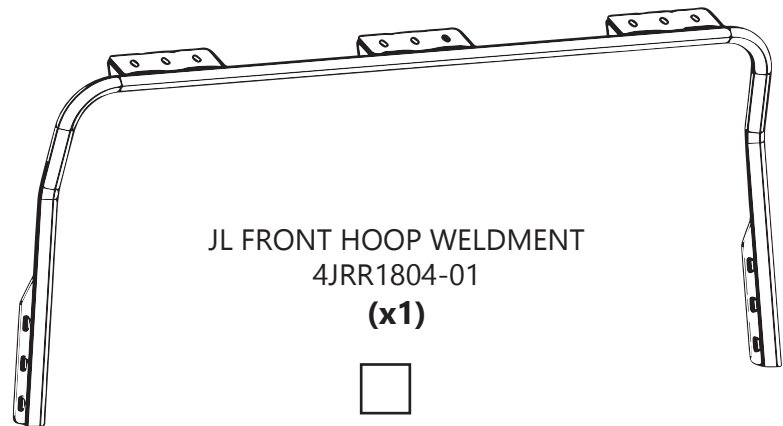
On:



Instruction
Booklet



Hardware Kit
(contents
may vary)



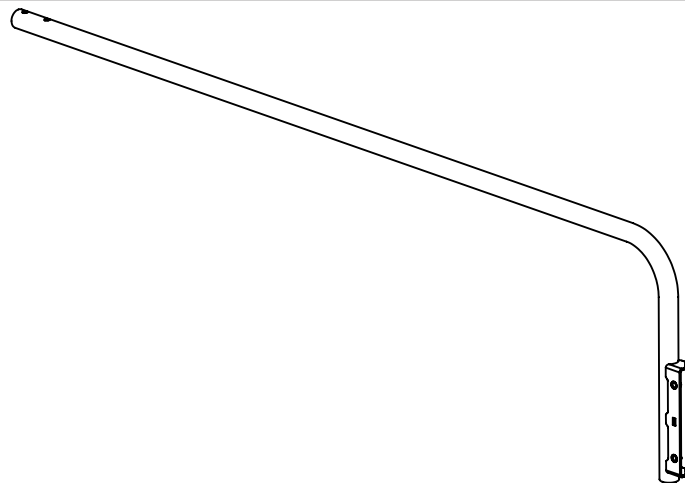
JL FRONT HOOP WELDMENT
4JRR1804-01

(x1)



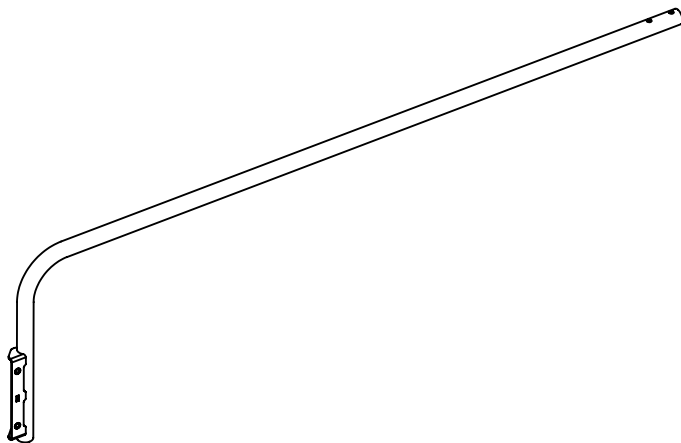
FRONT CORNER DS WELDMENT
4JRR0704-03

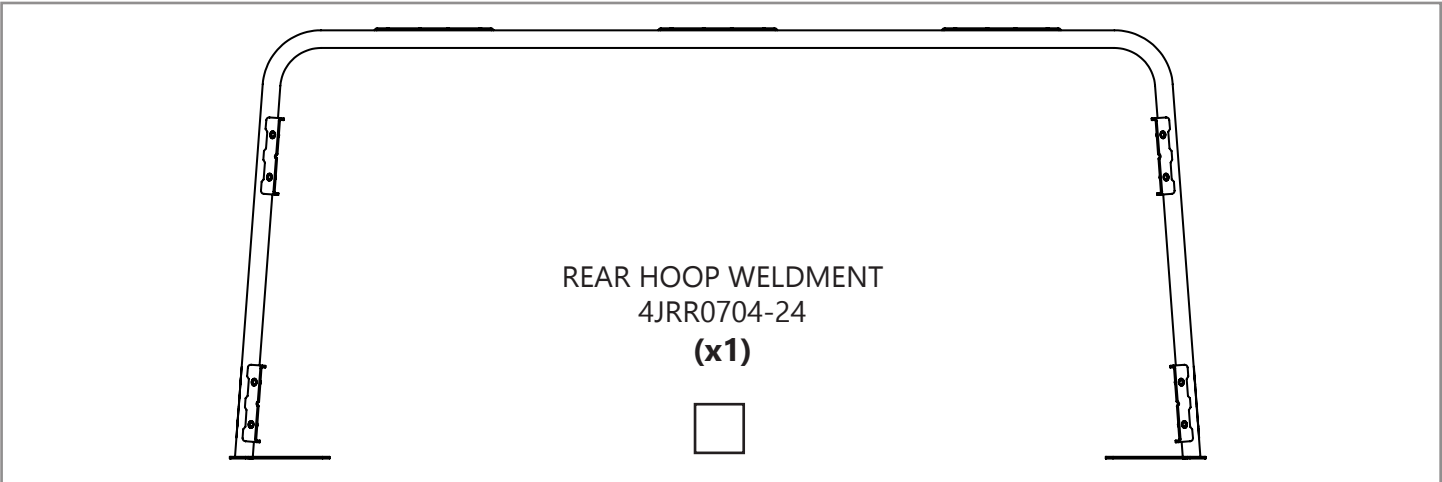
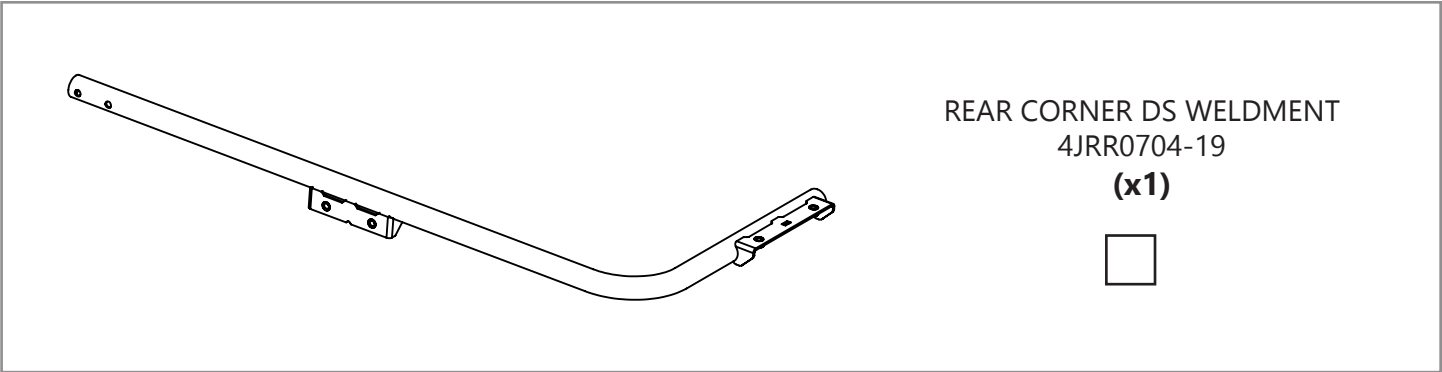
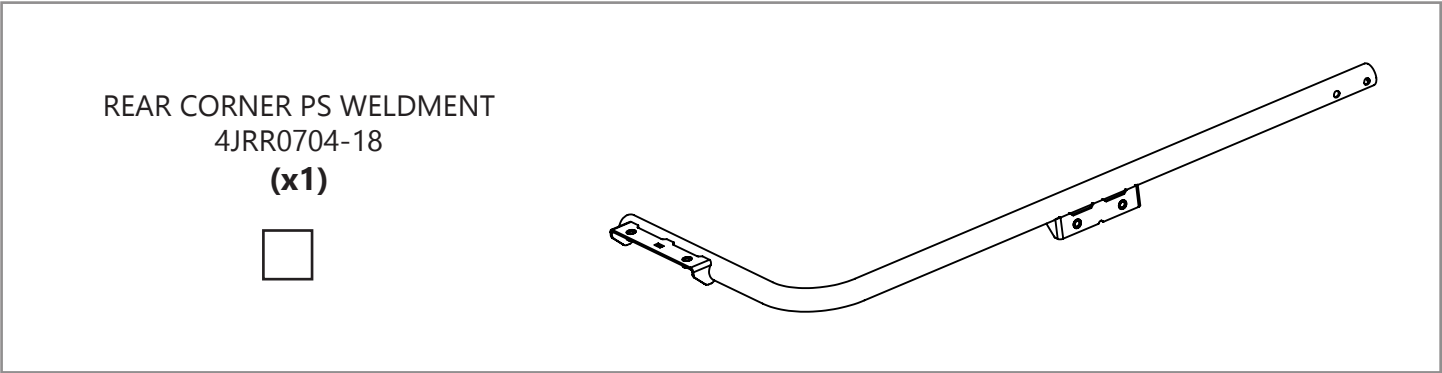
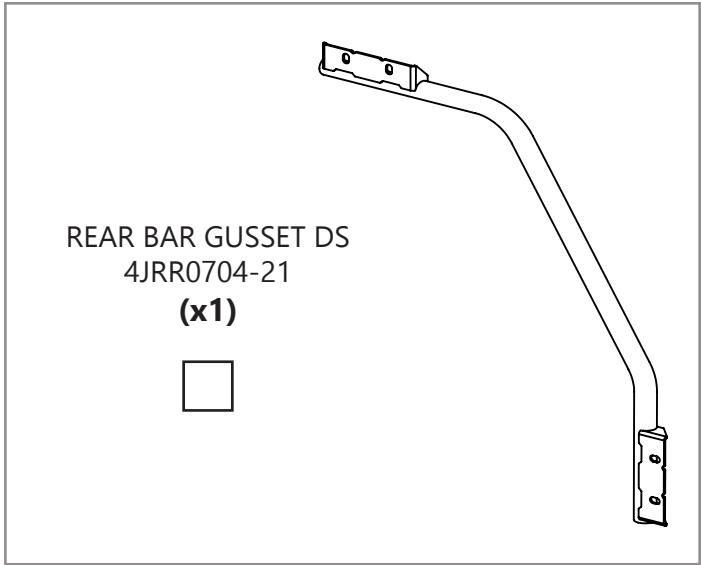
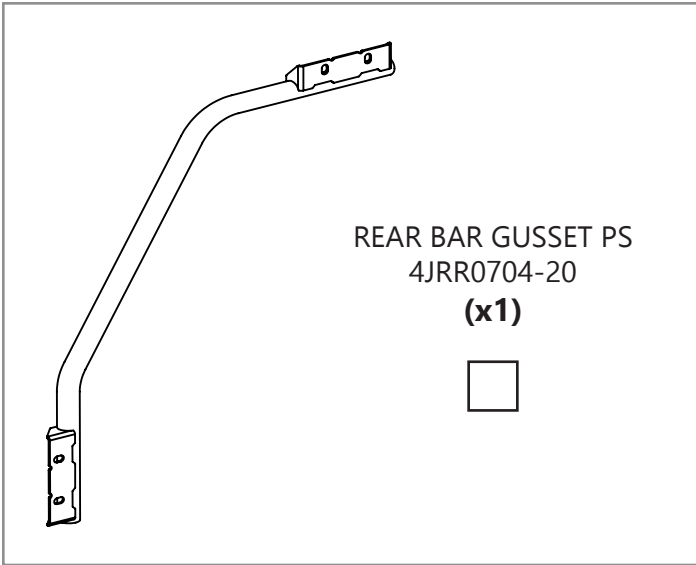
(x1)



FRONT CORNER PS WELDMENT
4JRR0704-11

(x1)





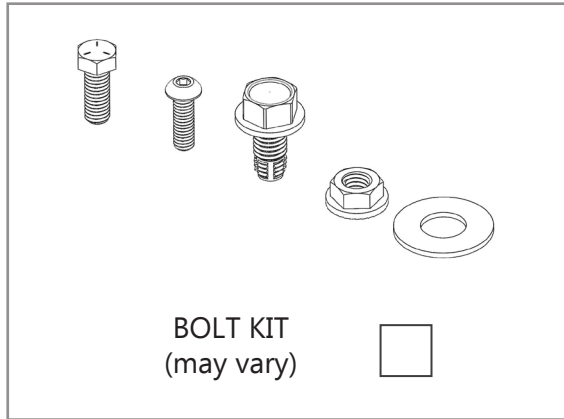


**JL Jeep
DESTROYER SERIES**

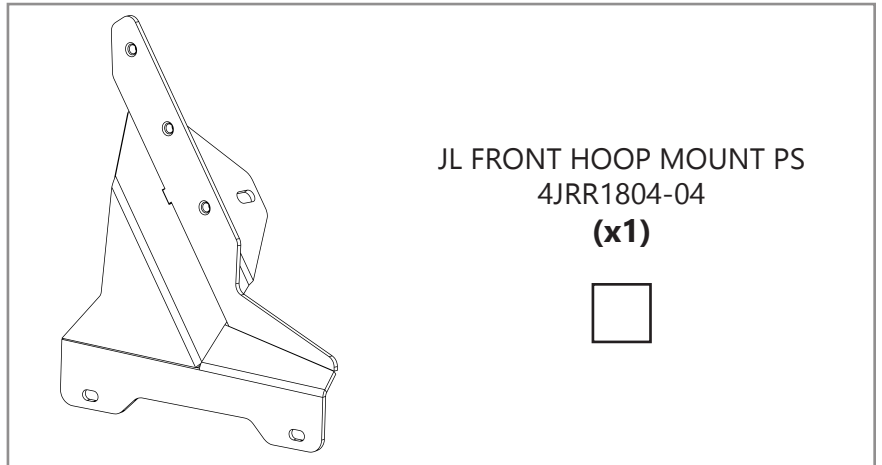
JEEP JL 4DR
BASE ROOF RACK
SHIPPING SHEET

Packaged by:

On:

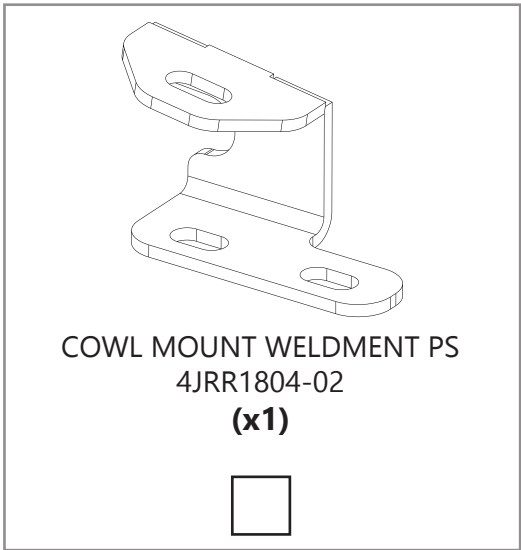


**BOLT KIT
(may vary)**



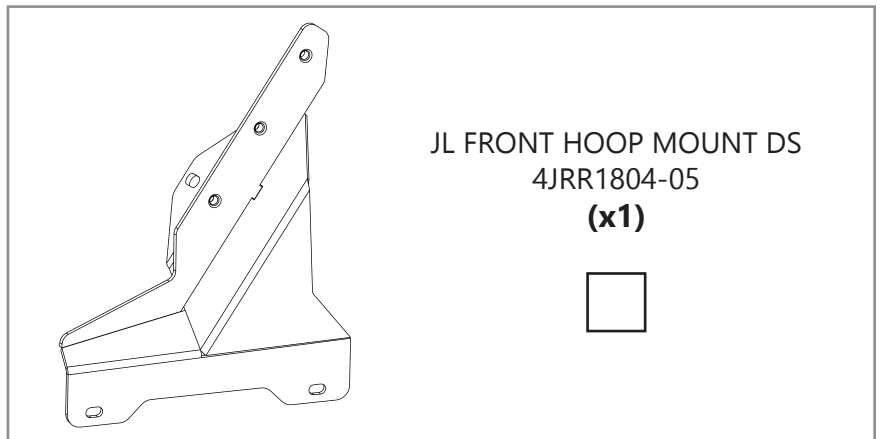
**JL FRONT HOOP MOUNT PS
4JRR1804-04**

(x1)



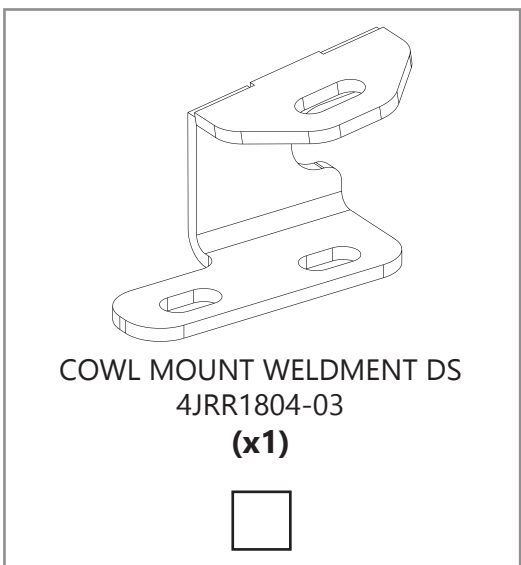
**COWL MOUNT WELDMENT PS
4JRR1804-02**

(x1)



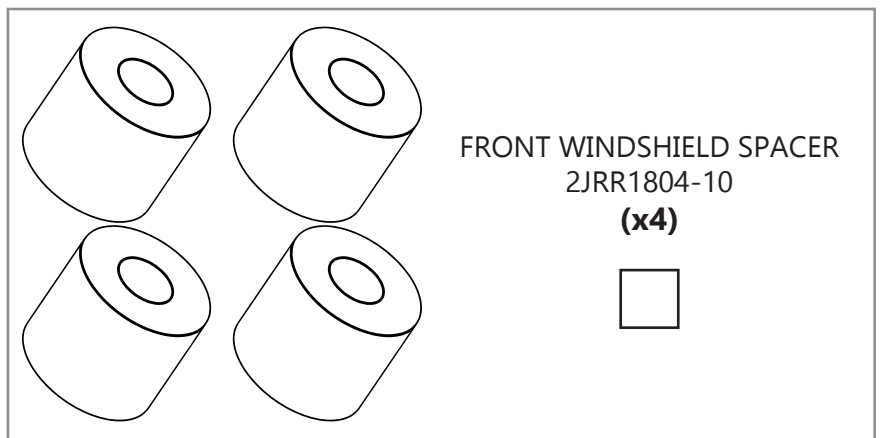
**JL FRONT HOOP MOUNT DS
4JRR1804-05**

(x1)



**COWL MOUNT WELDMENT DS
4JRR1804-03**

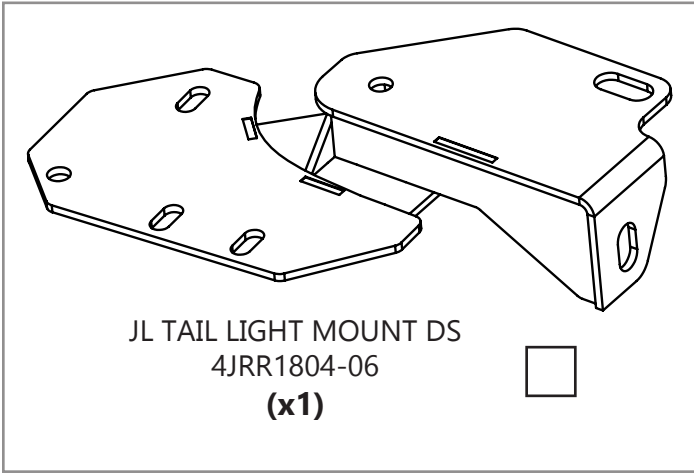
(x1)



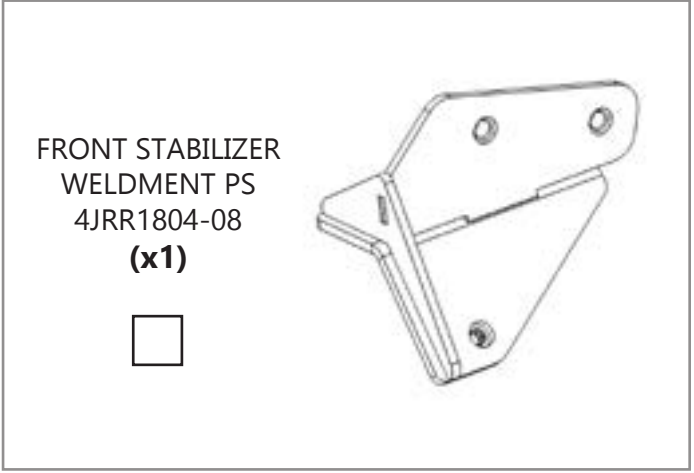
**FRONT WINDSHIELD SPACER
2JRR1804-10**

(x4)

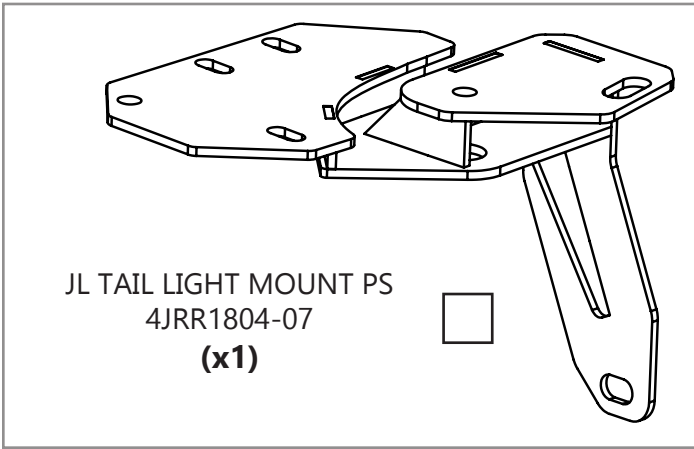




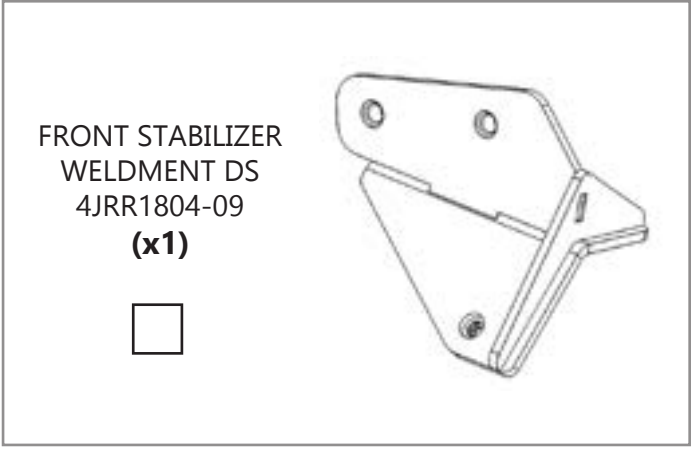
JL TAIL LIGHT MOUNT DS
4JRR1804-06
(x1)



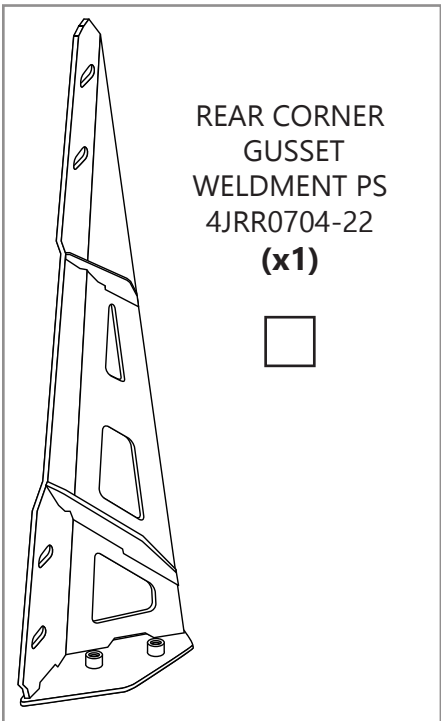
FRONT STABILIZER
WELDMENT PS
4JRR1804-08
(x1)



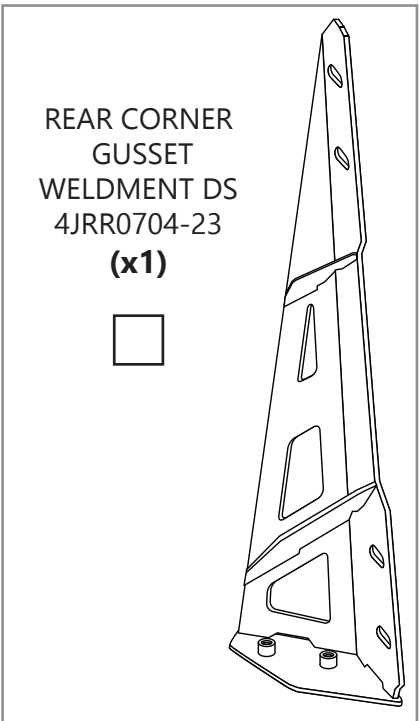
JL TAIL LIGHT MOUNT PS
4JRR1804-07
(x1)



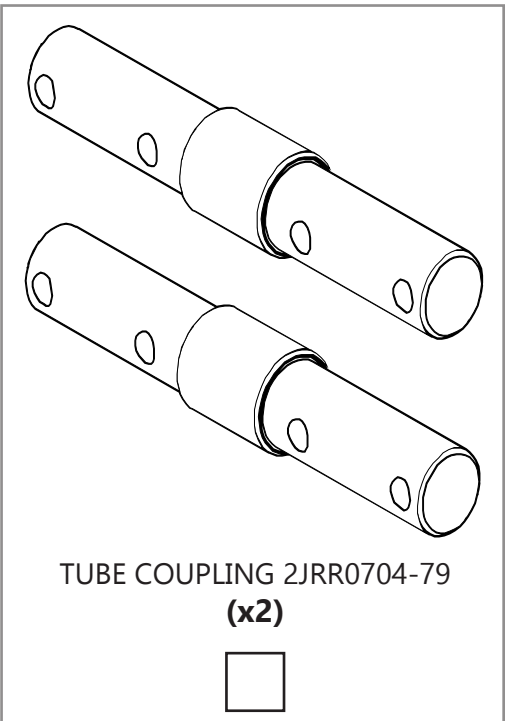
FRONT STABILIZER
WELDMENT DS
4JRR1804-09
(x1)



REAR CORNER
GUSSET
WELDMENT PS
4JRR0704-22
(x1)



REAR CORNER
GUSSET
WELDMENT DS
4JRR0704-23
(x1)



TUBE COUPLING 2JRR0704-79
(x2)





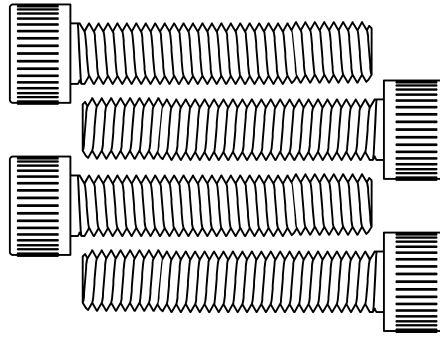
**JL Jeep
DESTROYER SERIES**

JEEP JL 4DR
BASE ROOF RACK

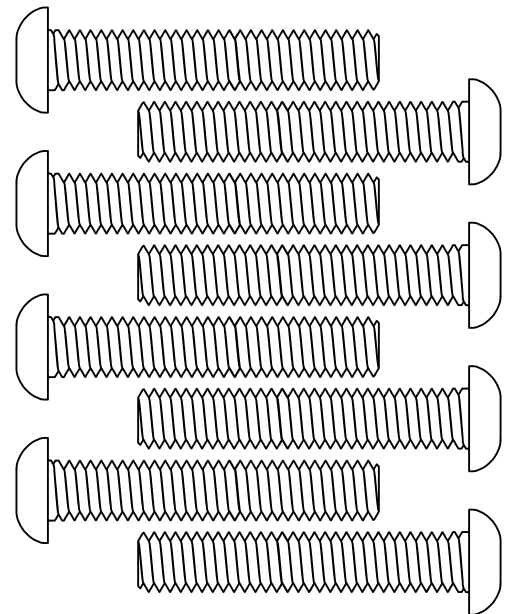
BOLT KIT

Packaged by:

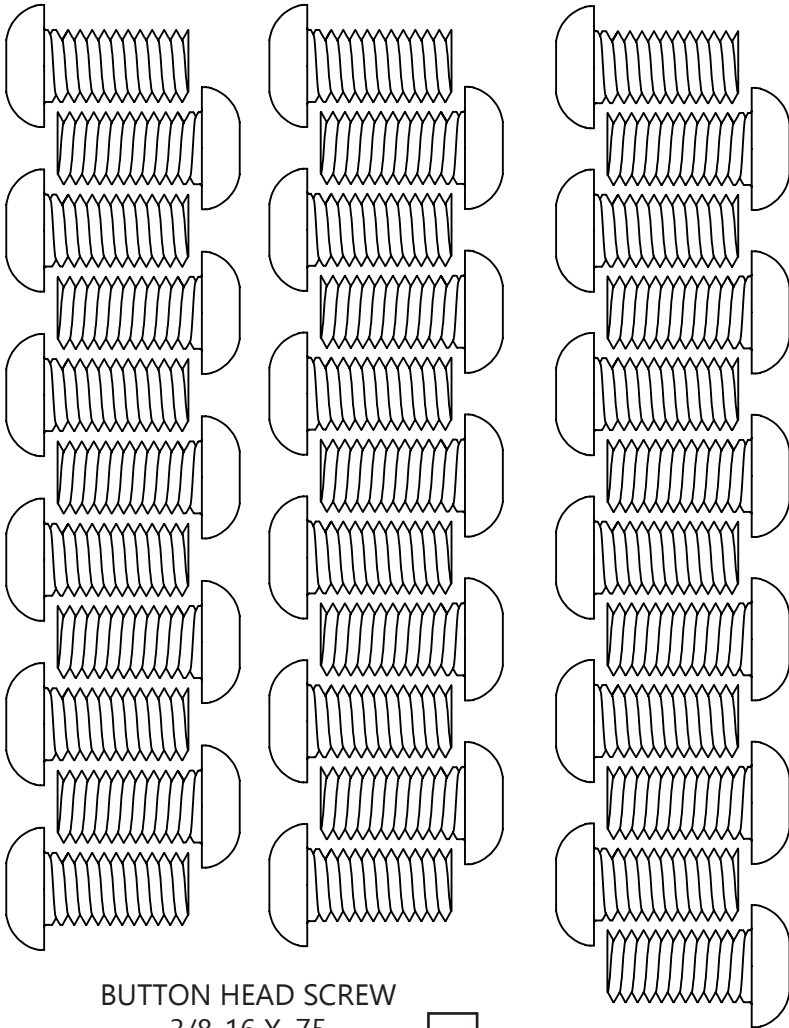
On:



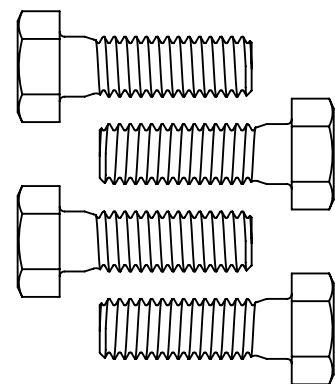
SOCKET HEAD SCREW
M8-1.25 X 40mm
(x4)



BUTTON HEAD SCREW
5/16-18 X 1.75
(x8)



BUTTON HEAD SCREW
3/8-16 X .75
(x34)



HEX BOLT 5/16-18 X 1.00
(x4)



