



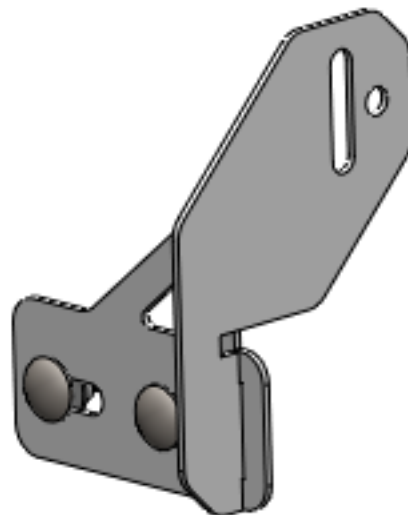
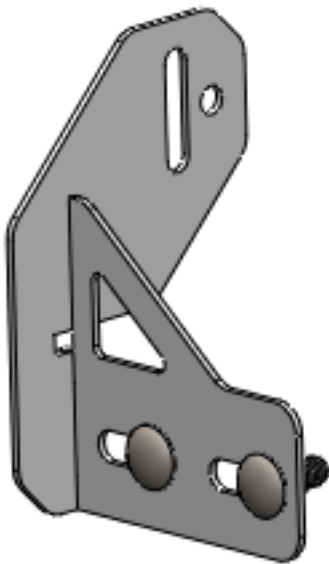
**BLACK OPS SERIES**

**JT**

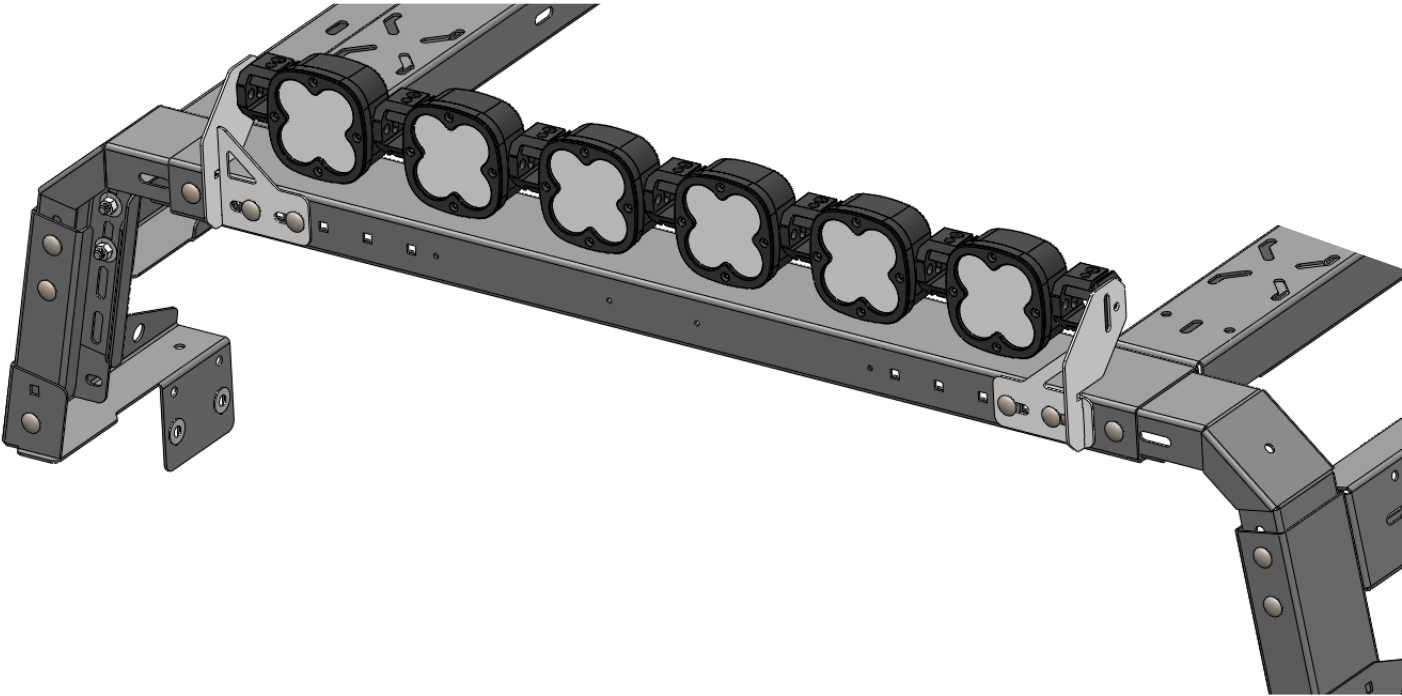
BED RACK LIGHT BAR  
MOUNT



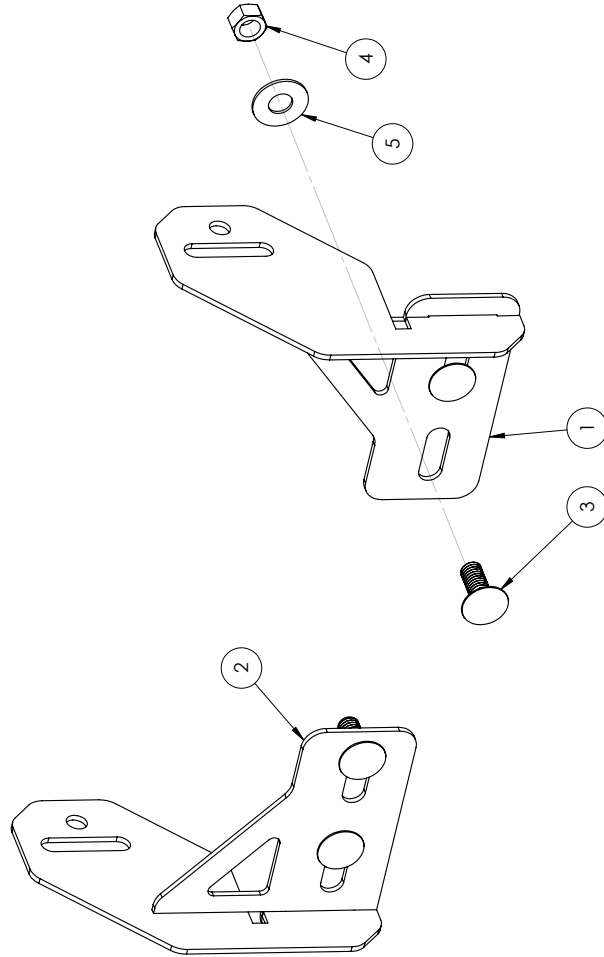
**\*VERIFY YOU HAVE ALL THE COMPONENTS BEFORE STARTING THE INSTALLATION. REFER TO THE ENGINEERING DRAWINGS AT THE END OF THIS DOCUMENT FOR A COMPLETE PARTS LIST\***



Install the Light Mount as shown below on the front Crossmember. The Light Mount is a universal fit and adjustable, so it will work with most light bars.



ITEM NO.	PART NUMBER	DESCRIPTION	QTY.
1	4JLM2020-01	BED RACK LIGHT MOUNT - L	1
2	4JLM2020-02	BED RACK LIGHT MOUNT - R	1
3	CB381616ZPGR5	CARRIAGE BOLT 3/8-16 X 1.00 ZINC PLATE GR5	4
4	HN3816ZPGR5	HEX NUT 3/8-16 ZINC PLATE GR5	4
5	FW3816ZP	FLAT WASHER Ø3/8" X 1.00 ZINC PLATE	4



- NOTES:**
- JLM2020 = BARE STEEL OPTION
  - JLM2021 = BLACK POWDER COAT
  - WEIGHT = APPROX 2 LBS

UNLESS OTHERWISE SPECIFIED: DIMENSIONS ARE IN INCHES TOLERANCES: ±0.010 ANGULAR: ±0.010 SURF. FINISH: ±0.015 THREE PLACE DECIMAL ±0.005	NAME MCH	DATE 9/20/2022	<b>LOD LLC.</b>
DRAWN	CHECKED	ENG. APPR.	DESCRIPTION: <b>BED RACK LIGHT BAR MOUNT</b>
MFG APPR.	MATERIAL: N/A	FINISH: N/A	DWG. NO. <b>JLM2020</b>
PROPERTY AND CONFIDENTIAL THE INFORMATION CONTAINED IN THIS DRAWING IS THE SOLE PROPERTY OF LOD LLC. ANY REPRODUCTION IN PART OR AS A WHOLE WITHOUT THE WRITTEN PERMISSION OF LOD LLC IS PROHIBITED.	ECO:	REV <b>JLM2021</b>	SCALE: 1:2
			SHEET SIZE: B
			SHEET 1 OF 1



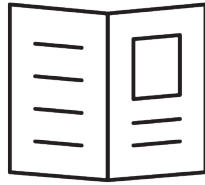
**JT Jeep**  
**BLACK OPS SERIES**  
 BED RACK LIGHT BAR  
 MOUNT  
 SHIPPING SHEET

Packaged by:

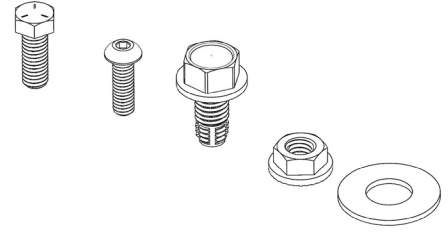
\_\_\_\_\_

On:

\_\_\_\_\_



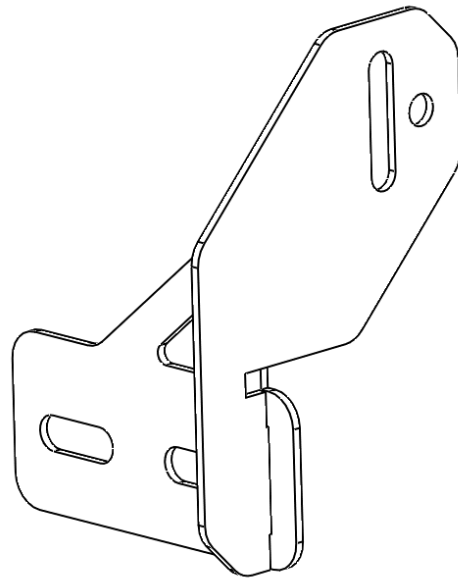
Instruction  
Booklet



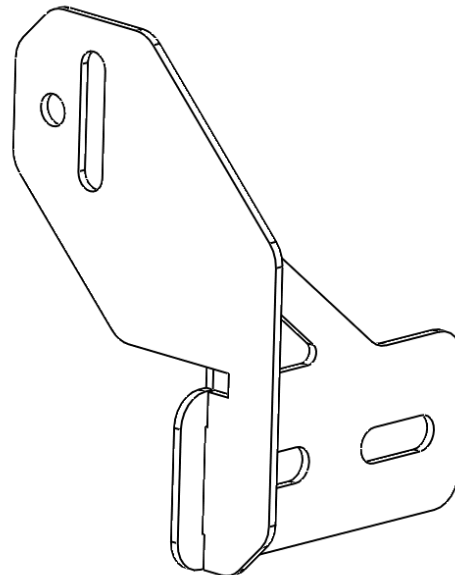
BOLT KIT  
(may vary)



BED RACK LIGHT  
MOUNT - L  
4JLM2020-01  
**(x1)**



BED RACK LIGHT  
MOUNT - R  
4JLM2020-02  
**(x1)**





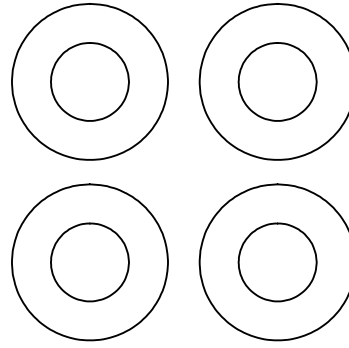
**JT Jeep**  
**BLACK OPS SERIES**  
JEEP JT BED RACK  
LIGHT BAR MOUNT  
BOLT KIT

Packaged by:

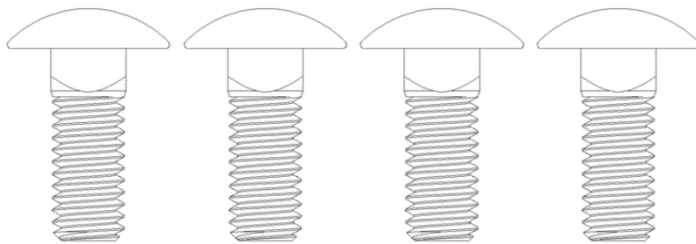
\_\_\_\_\_

On:

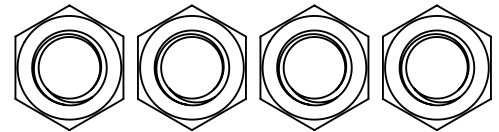
\_\_\_\_\_



FLAT WASHER  
Ø3/8 X 1.00  
**(x4)**



CARRIAGE BOLT 3/8-16 X 1.00  
(0155068)  
**(x4)**



HEX NUT 3/8-16  
1136306  
**(x4)**

