



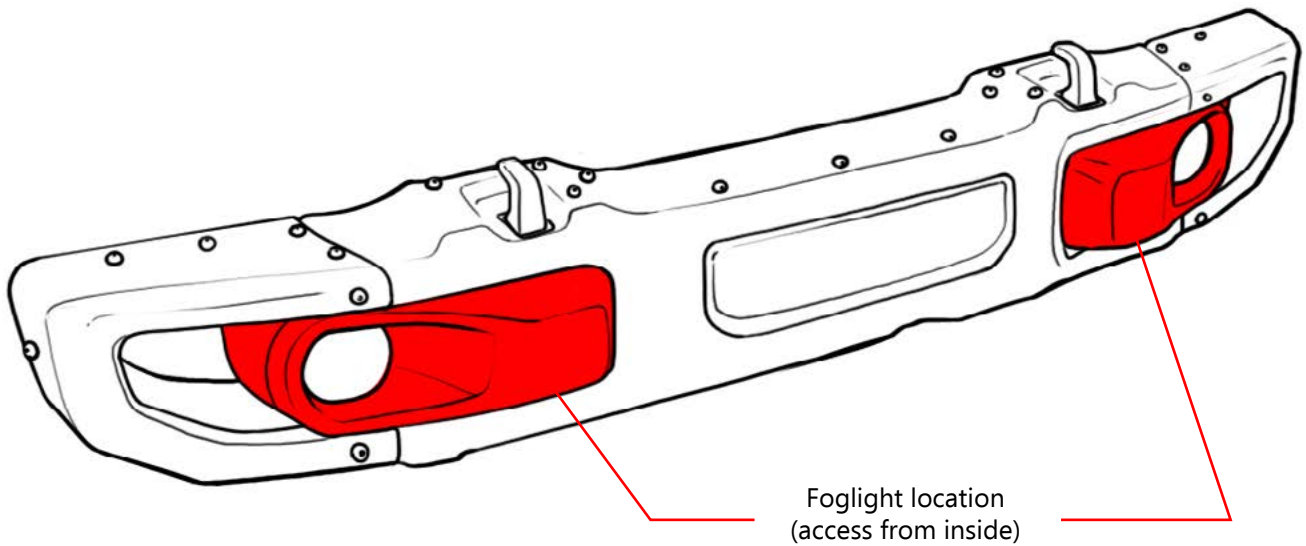
JL JEEP

OEM STEEL BUMPER
LED LIGHT MOUNT KIT

INSTALLATION INSTRUCTIONS



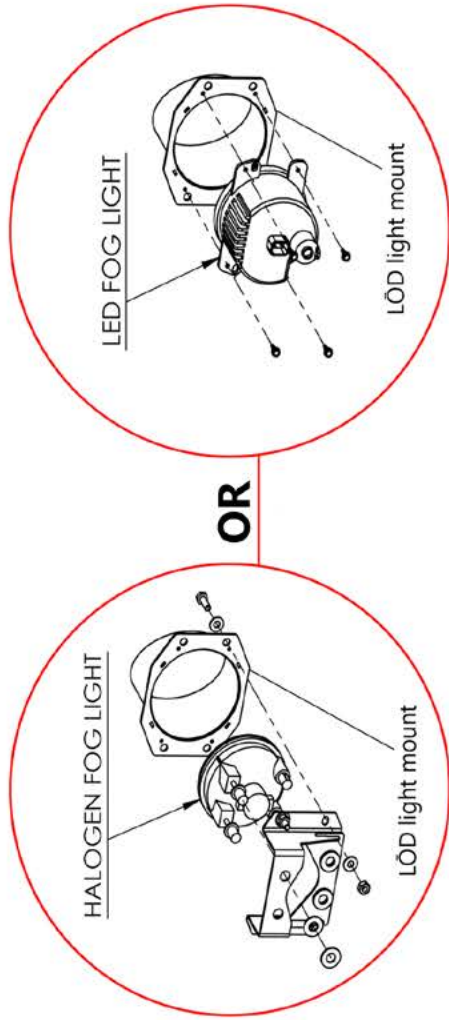
First you will have to remove the foglights from the steel OEM bumper, access them from the rear face of the bumper.



Jeep Foglight Configurations and Compatibility Information

Wrangler Sport/Sahara Plastic OEM Bumpers

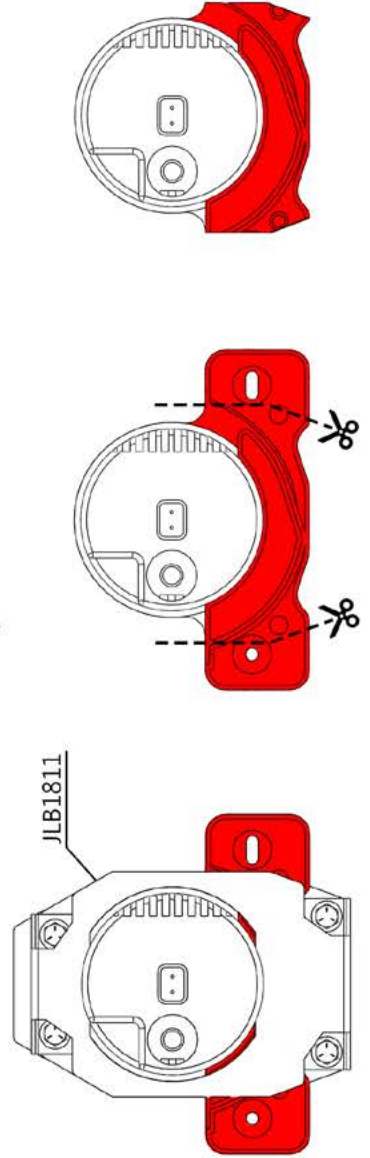
The two types of lights shown below are found in the OEM plastic bumpers for the Wrangler Sport and Wrangler Sahara/Rubicon. Hardware is included for these with the LOD bumper. Use what you need and simply discard the extra pieces.



Rubicon Metal OEM Bumpers

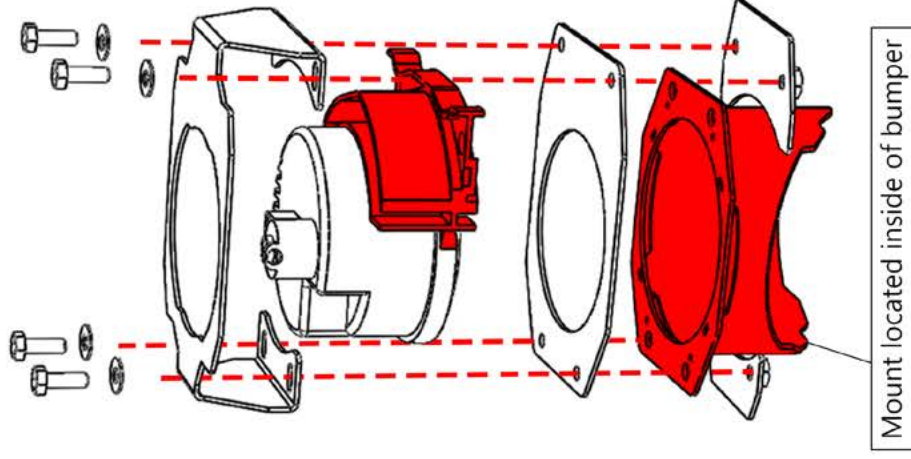
If you have a steel 3 piece bumper, you will need to purchase bracket **JLB1811** to be able to use the stock foglights, due to the shape of Jeep's bracket design.

Once trimmed as shown below, the OEM mount should look like the one pictured below and will fit into the LOD bumper, as shown to the right. You can use the LOD housing as a template to mark where you need to cut.



JLB1811 Assembly

If you have a 3 piece steel bumper you will need to purchase part number **JLB1811** and trim the stock light bracket to fit in the LOD bumper.

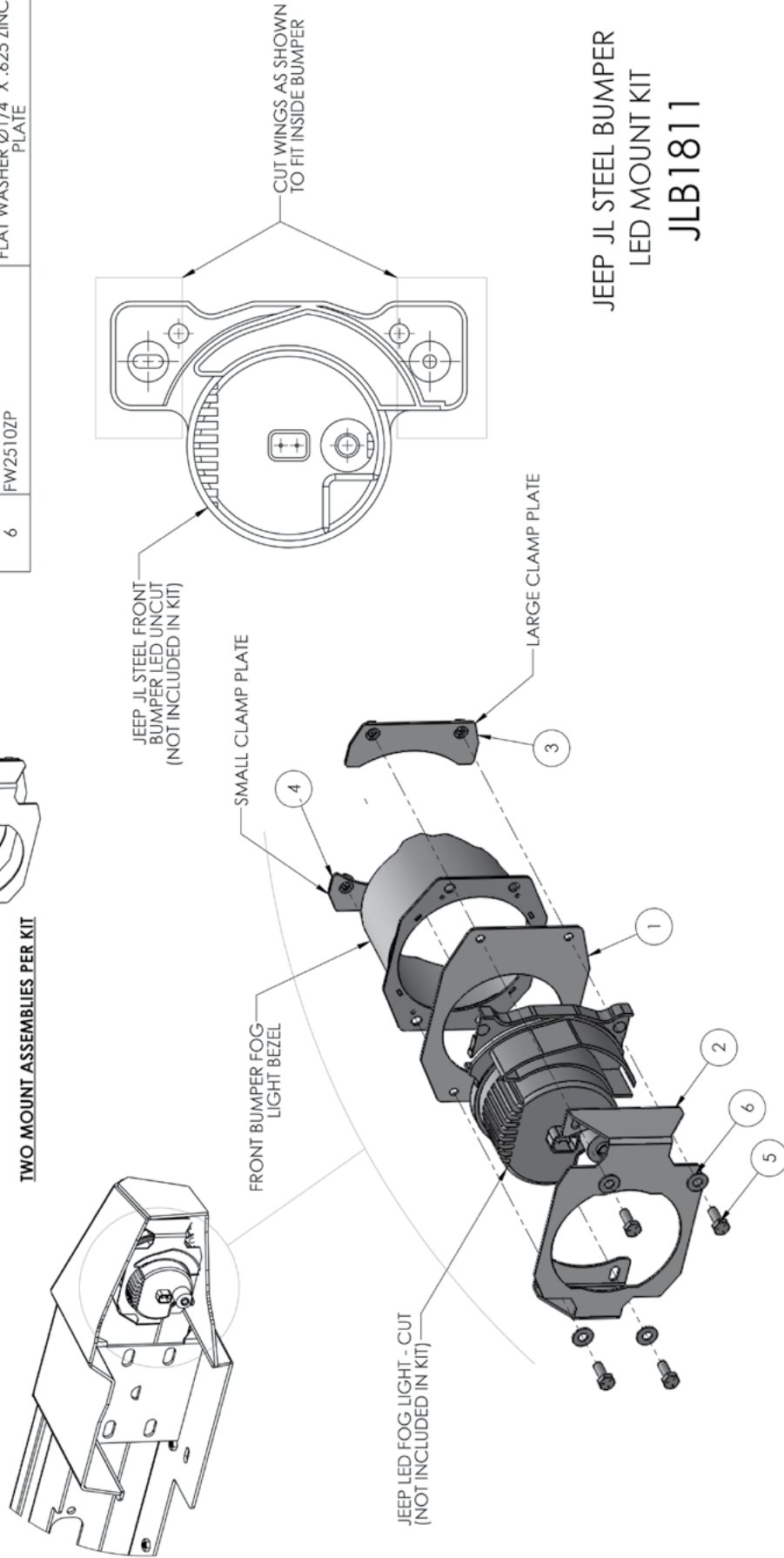


HARDWARE KIT

ITEM NO.	PART NUMBER	DESCRIPTION	QTY.
1	2JLB1811-01	LED FOG LIGHT MOUNT PLATE	2
2	2JLB1811-02	LED CLAMP BRACKET	2
3	4JLB1811-01	CLAMP PLATE	2
4	4JLB1811-02	CLAMP PLATE	2
5	HB25201ZPGR5	HEX BOLT 1/4-20 X .75 HEX BOLT ZINC PLATE GR5	8
6	FW2510ZP	FLAT WASHER Ø1/4" X .625 ZINC PLATE	8



TWO MOUNT ASSEMBLIES PER KIT



**JEEP JL STEEL BUMPER
LED MOUNT KIT
JLB1811**



JL Jeep

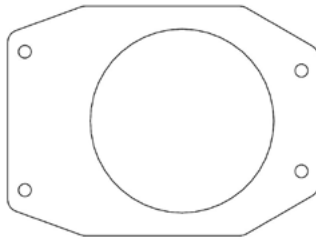
General Accessory

JL Jeep OEM steel bumper
LED foglight mount kit

SHIPPING SHEET

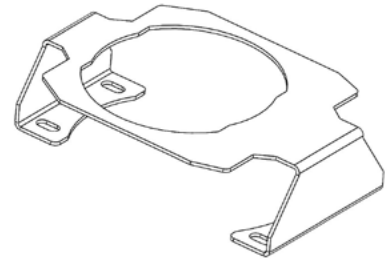
Packaged by:

On: _____



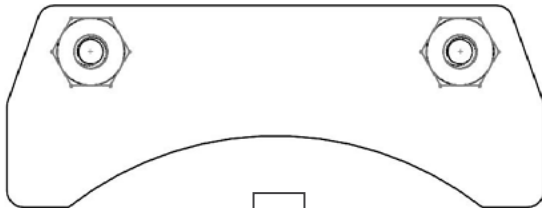
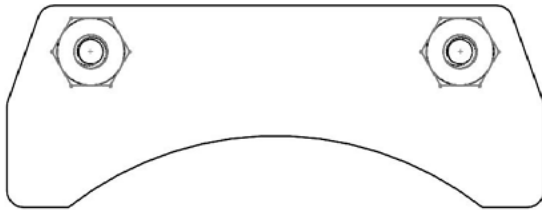
LED foglight
mount plate

(2)

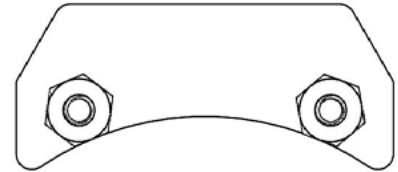
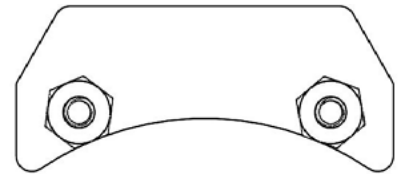


LED clamp
bracket

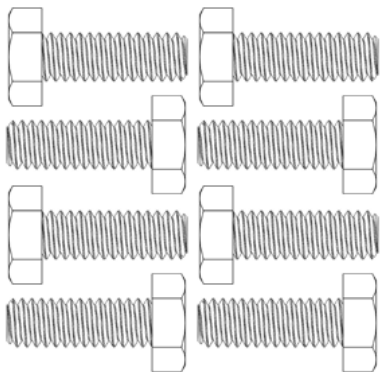
(2)



Large clamp plate (2)

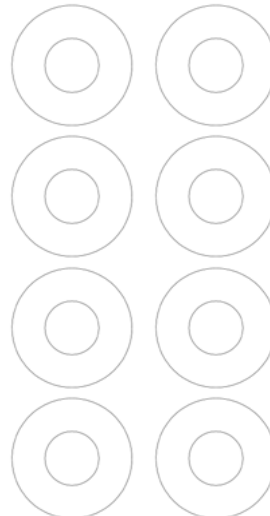


Small clamp plate (2)



Hex Bolt
1/4"-20 x 0.75"

(8)



Flat Washer
1/4" x 0.734"

(8)