



*Signature
Series*
SKIDPLATE



1.

HOLD UP THE SKID PLATE TO THE BOTTOM OF THE BUMPER AND SECURE IT IN PLACE USING THE BOLTS AND WASHERS PROVIDED. YOU WILL NEED A 9/16" SOCKET FOR THE JOB.

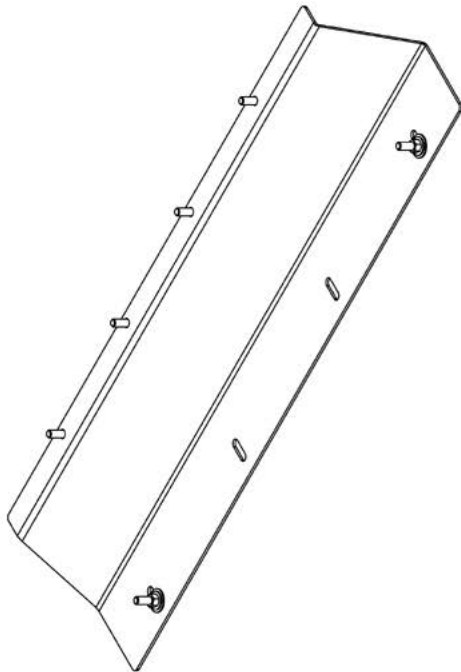


2.

SECURE THE SKIDPLATE TO THE LOWER CROSS MEMBER OF YOUR JK JEEP USING THE BOLTS AND WASHERS PROVIDED. YOU WILL NEED A 9/16" SOCKET FOR THIS JOB.

****YOU WILL HAVE A TO DRILL A 1/2" HOLE FOR THE MOUNT LOCATION SHOWN.****

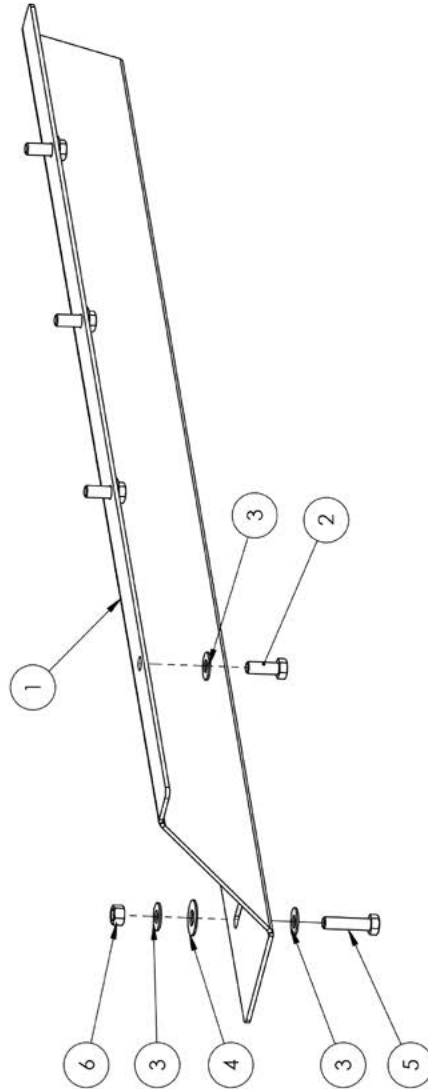




ITEM NO.	PART NUMBER	DESCRIPTION	QTY.
1	2JSP0740-01BS	SIGNATURE SERIES MID/FULL WIDTH SKID PLATE - BARE STEEL OPTION	1
	2JSP0740-01BP	SIGNATURE SERIES MID/FULL WIDTH SKID PLATE - BLACK POWDER COAT OPTION	


HARDWARE

ITEM NO.	PART NUMBER	DESCRIPTION	QTY.
2	HB381616ZPGR5	HEX BOLT 3/8-16 X 1.00 ZINC PLATE GR5	4
3	FW3814ZP	FLAT WASHER Ø3/8" X .875 ZINC PLATE	8
4	FW4318ZP	FLAT WASHER Ø7/16 X 1.25" ZINC PLATED	2
5	HB381624ZPGR5	HEX BOLT 3/8-16 X 1.500 ZINC PLATE GR5	2
6	HN3816ZPGR5	HEX NUT 3/8-16 ZINC PLATE GR5	2



NOTES:

- 1. JSP0740 = BARE STEEL OPTION
- 2. JSP0741 = BLACK POWDER COAT OPTION

LOD LLC. 

DESCRIPTION:
SIGNATURE SERIES MID/FULL WIDTH
BOLT ON SKID PLATE

DWG. NO. _____ REV _____

JSP07-SEE NOTES REV **A**

SCALE: 1:4 SHEET SIZE: B SHEET 1 OF 1



JK Jeep

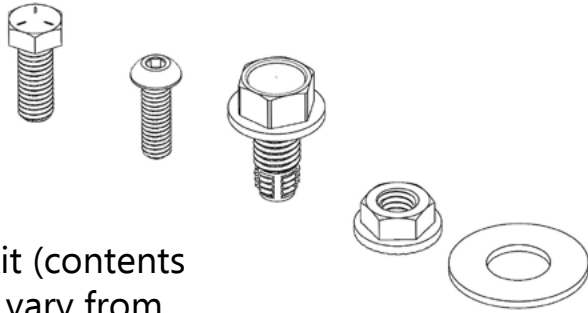
Signature Series

Skid Plate

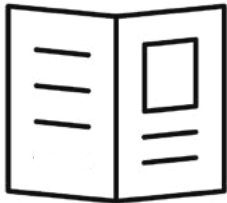
Shipping Sheet

Packaged by:

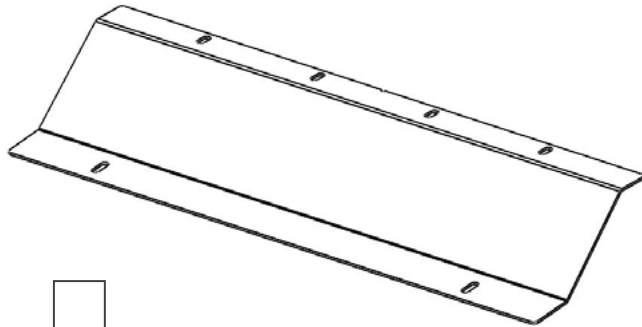
On:



Bolt Kit (contents
may vary from
image)



Install Instruction Booklet



Skidplate



JK Jeep

Signature Series

Front Skidplate

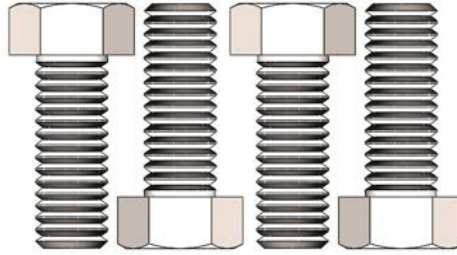
Bolt Kit

Packaged by:

On:

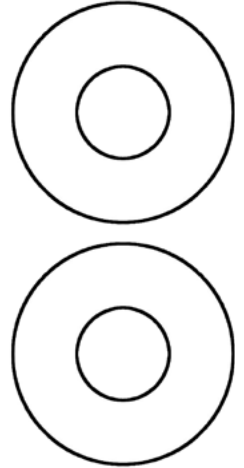
3/8" (16) x1" Hex Head

(x4)



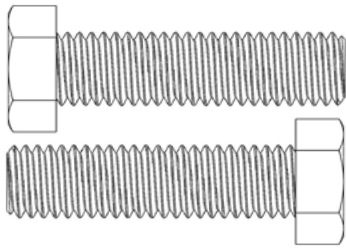
7/16" Washers

(x2)



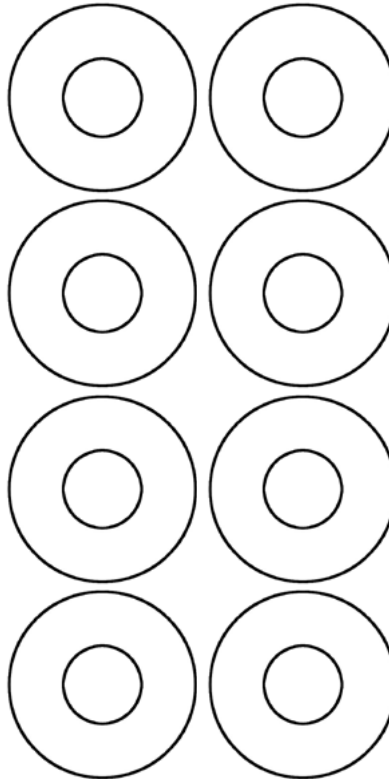
3/8"(16)x1.5" Hex Bolts

(x2)



3/8" Washers

(x8)



3/8 (16)" Nuts

(x2)

