



DESTROYER SERIES SKIDPLATE



STEP 1:

- USING THE FOUR (5/16") BUTTON HEAD BOLTS, LINE UP THE HOLES AND ATTACH THE CORNERS, THEN THE MIDDLE OF THE SKIDPLATE, FOR A TOTAL OF FOUR BOLTS.



STEP 2:

- THE PASSENGER SIDE BOTTOM 3/8" BOLT WILL REQUIRE A HOLE TO BE DRILLED THROUGH THE FRAME IN ORDER TO FULLY SECURE THE SKIDPLATE.



STEP 3:

- ONCE THE TWO BOTTOM (3/8") BOLTS WITH (7/16") WASHERS ARE ATTACHED, THE SKIDPLATE SHOULD BE FULLY SECURED.



STEP 4:

- THE SKIDPLATE IS NOW SECURED AND READY TO PROTECT YOUR JEEP!

ITEM NO.	PART NUMBER	FINISH	DESCRIPTION	QTY.
1	4JSP0700-01BP	BS/BP	DESTROYER SKID PLATE WELDMENT - BLACK POWDER COAT	1

HARDWARE KIT

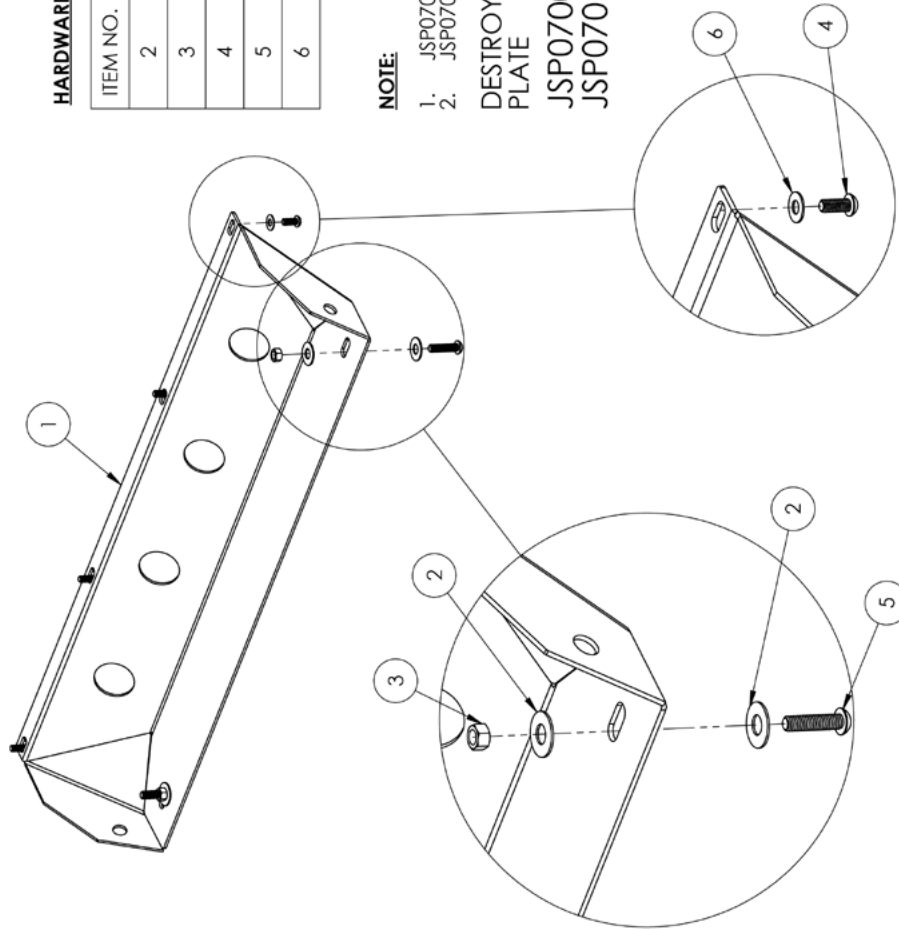
ITEM NO.	PART NUMBER	FINISH	DESCRIPTION	QTY.
2	FW4318ZP		FLAT WASHER Ø7/16 X 1.25" ZINC PLATED	4
3	HN3816ZPGR5		HEX NUT 3/8-16 ZINC PLATE GR5	2
4	BHSCS311812ZP		BHSCS 5/16-18 X .75 ZINC PLATE	4
5	BHSCS381624ZP		BHSCS 3/8-16 X 1.50 ZINC PLATE	2
6	FW3112ZP		FLAT WASHER Ø5/16" X .75" ZINC PLATE	4

NOTE:

1. JSP0700 = BARE STEEL OPTION
2. JSP0701 = BLACK POWDER COAT OPTION

DESTROYER FRONT BUMPER SKID PLATE

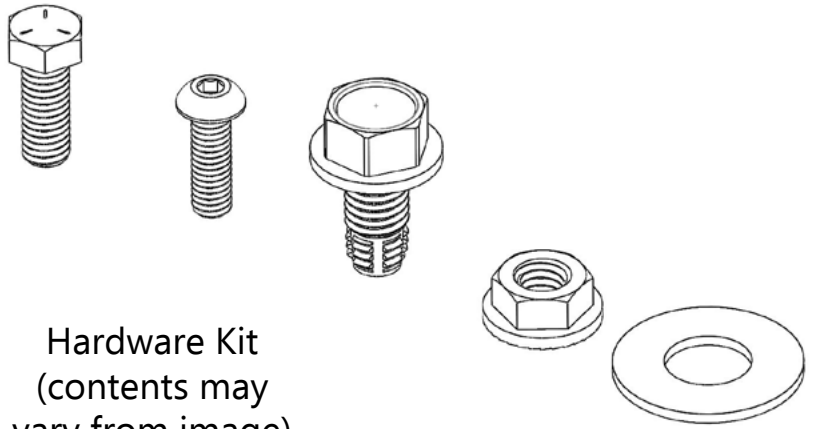
JSP0700
JSP0701



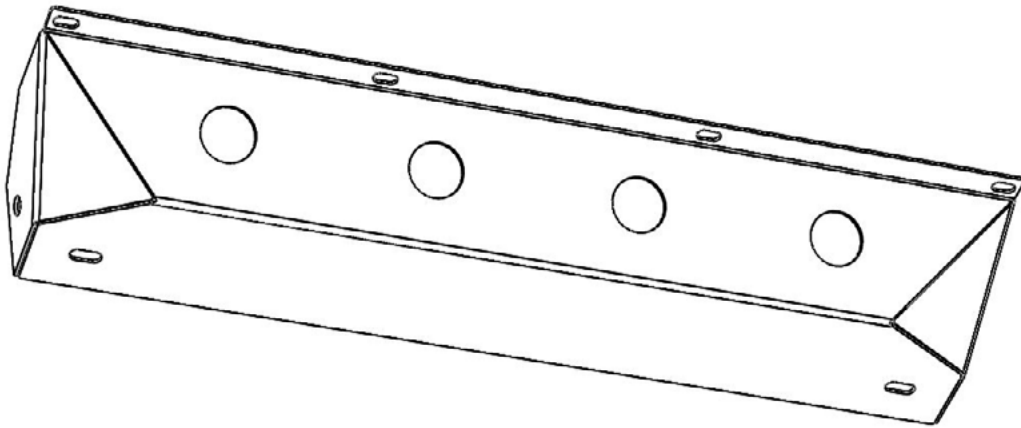


JK Jeep
Destroyer Series
Front Skidplate
Packing Slip
Packaged by:

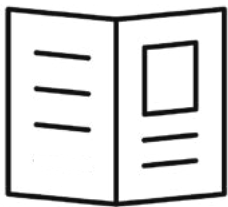
On:



Hardware Kit
(contents may vary from image)



Destroyer Skidplate



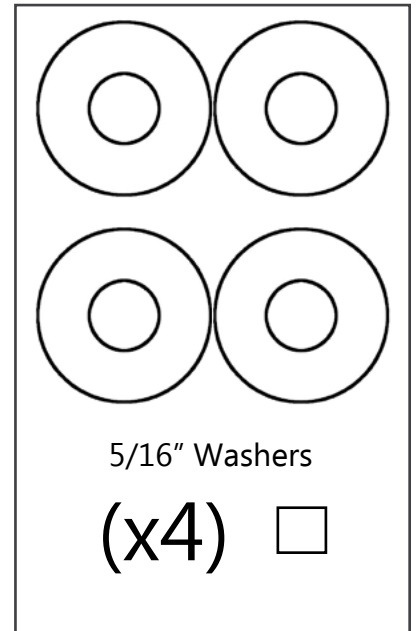
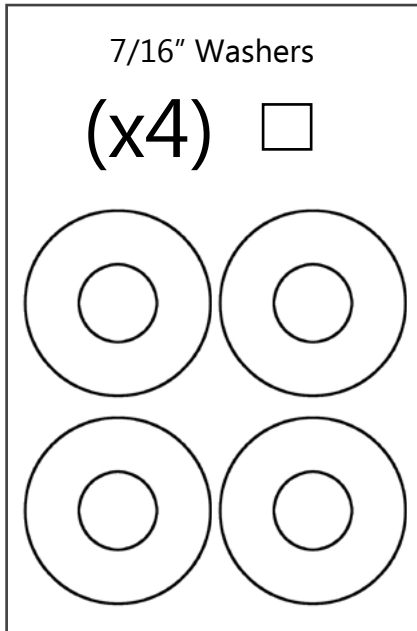
Install Instruction Booklet





**JK Jeep
Destroyer Series
Front Skidplate
Hardware Sheet**
Packaged by:

On: _____



*please check contents when opening/assembling package

