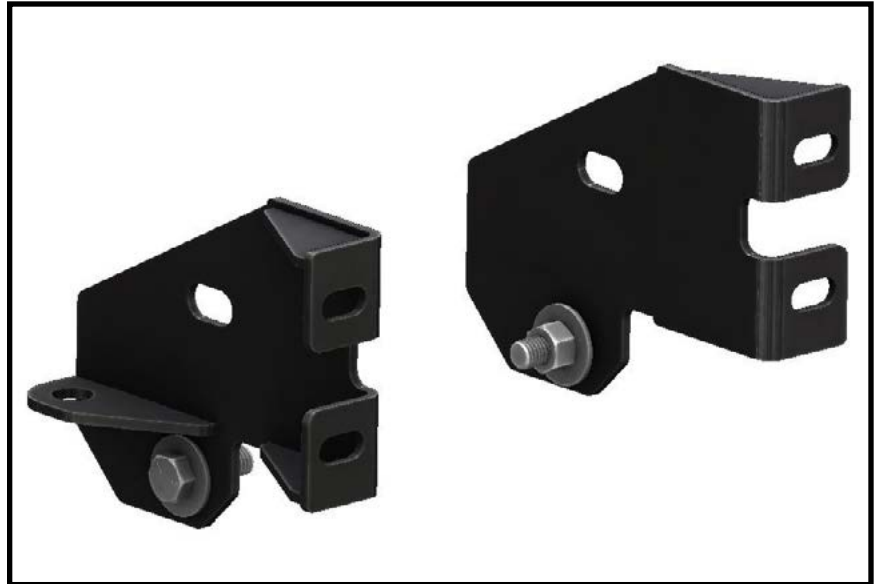




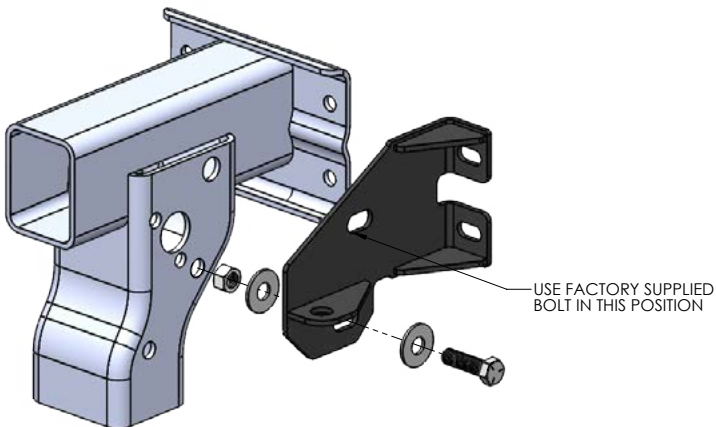
FRAME TIE-IN BRACKETS

PLEASE READ THROUGH THE INSTRUCTIONS BEFORE BEGINNING ANY PART OF THE INSTALLATION PROCESS

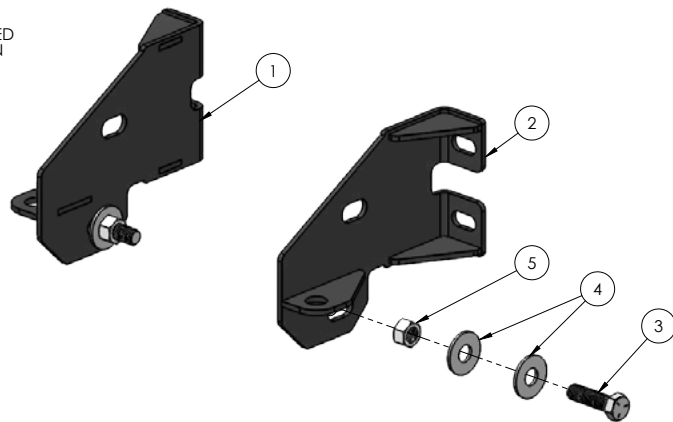


WEB INSTALL LINK:

<http://lodoffroad.com/assets/pdfs/JFT1801.pdf>



ITEM NO.	PART NUMBER	DESCRIPTION	QTY.
1	4JFT1801-02	JEEP JL FRONT BUMPER FRAME TIE IN BRACKET - DS	1
2	4JFT1801-01	JEEP JL FRONT BUMPER FRAME TIE IN - PS	1
3	HB501328ZPGR5	HEX BOLT 1/2-13 X 1.75 HEX BOLT ZINC PLATE GR5	2
4	FW5022ZP	FLAT WASHER Ø1/2" X 1.375" ZINC PLATE	4
5	HN5013ZPGR5	HEX NUT 1/2-13 ZINC PLATE GR5	2



UNLESS OTHERWISE SPECIFIED:	NAME	DATE	LOD LLC.	
DIMENSIONS ARE IN INCHES	DRAWN	MCH	4/11/2019	
TOLERANCES: ±0.010	CHECKED			DESCRIPTION:
ANGULAR: MACH ±1°	ENG APPR.			JEEP JL FRAME TIE IN BRACKETS
TWO PLACE DECIMAL ±0.015	MFG APPR.			
THREE PLACE DECIMAL ±0.005				
PROPRIETARY AND CONFIDENTIAL	MATERIAL:			DWG. NO.
THE INFORMATION CONTAINED IN THIS DRAWING IS THE SOLE PROPERTY OF LOD LLC. ANY REPRODUCTION IN PART OR AS A WHOLE WITHOUT THE WRITTEN PERMISSION OF LOD LLC IS PROHIBITED.	N/A			JFT1801
	FINISH:			REV
	BLACK POWDER COAT			B
	ECCO:			SCALE: 1:3
	*			SHEET SIZE: B
				SHEET 1 OF 1



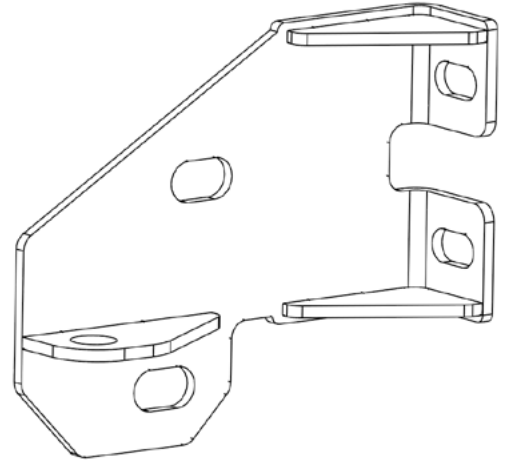
**JL - Frame Tie-In
Brackets**

SHIPPING SHEET

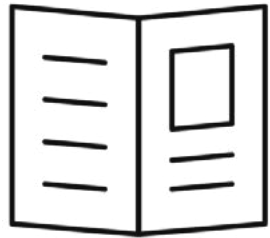
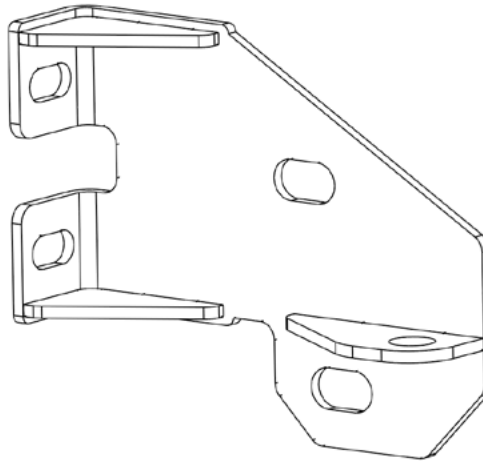
Packaged by:

On:

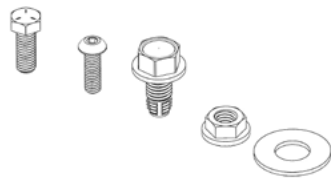
Frame Tie-In
Bracket - Passenger
(x1)



Frame Tie-In
Bracket - Driver
(x1)



Instruction Booklet



BOLT KIT
(may vary)



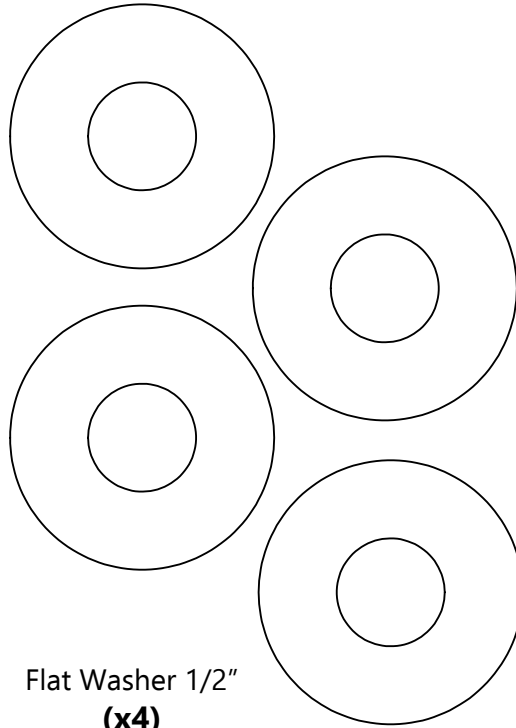


**JL - Frame Tie-In
Brackets**

Bolt Kit

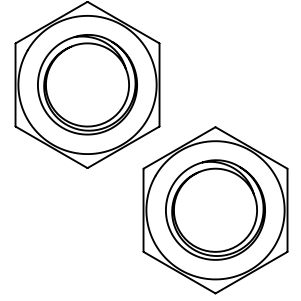
Packaged by:

On:



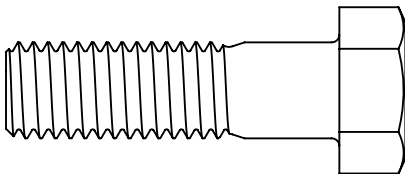
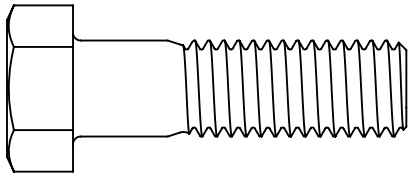
Flat Washer 1/2"

(x4)



Hex Nut
1/2"-13

(x2)



Hex Bolt
1/2"-13 x 1.75"

(x2)

