

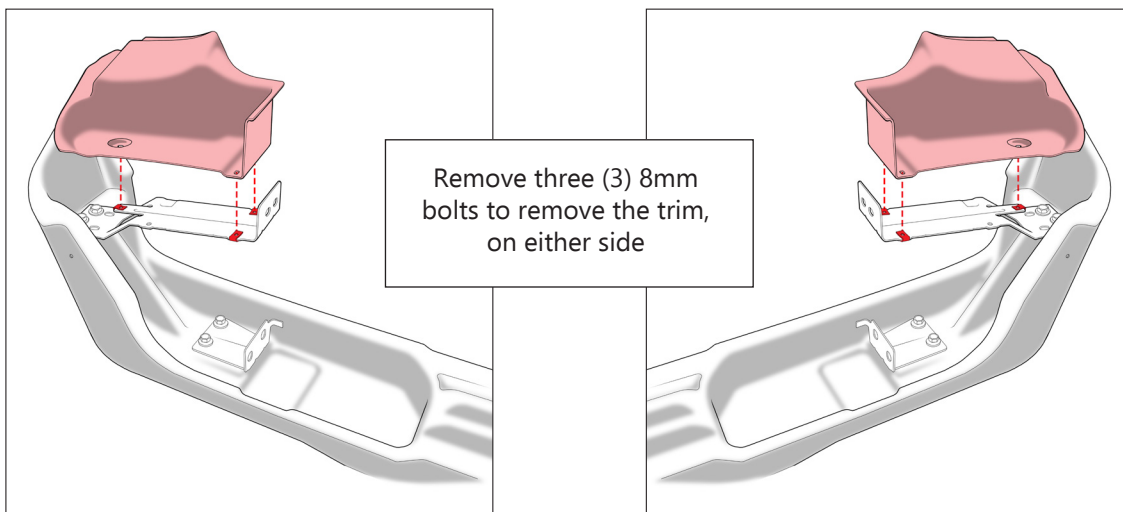


DESTROYER SERIES  
**JL JEEP**  
REAR BUMPER  
+ TIRE CARRIER

**INSTALLATION  
INSTRUCTIONS**

**\*PLEASE READ THROUGH THE INSTRUCTIONS BEFORE BEGINNING ANY PART OF THE  
INSTALLATION PROCESS\***

**WEB LINK:** <http://lodoffroad.com/assets/pdfs/JBC1801.pdf>



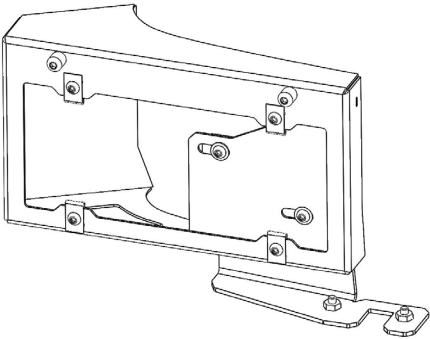
This diagram shows both brackets (both sides) that hold the stock Jeep Wrangler Sport bumper in place. Using a **5/8"** socket, remove both bolts at locations **(A)** and **(B)**, you can remove the bumper from the vehicle.

**Important:**

(Using an 18mm socket, take off the stock hitch.)

**Disconnect the license plate light and remove parking sensor wire harness (if using sensors in your new bumper).**

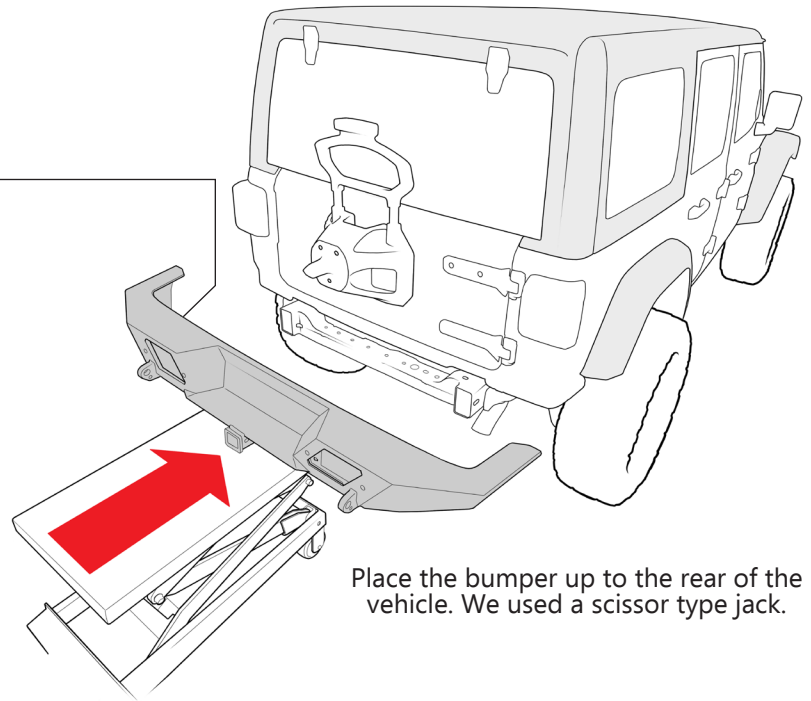
Before continuing, install the license plate mount



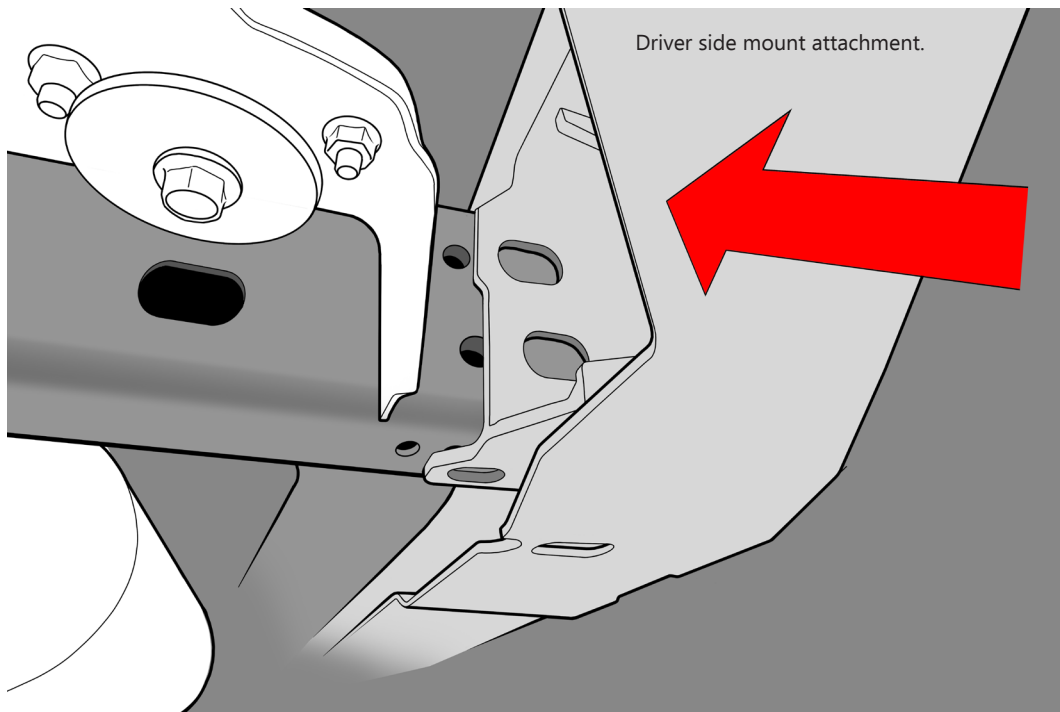
**Before** attaching the bumper to the vehicle, make sure you attach the license plate mount (if purchased) as it can be difficult to attach it once the bumper is on the vehicle.

## STOP!

Before continuing, install the parking sensors into the bumper if your Jeep came with them. See the '**Parking Sensor Install**' instructions.



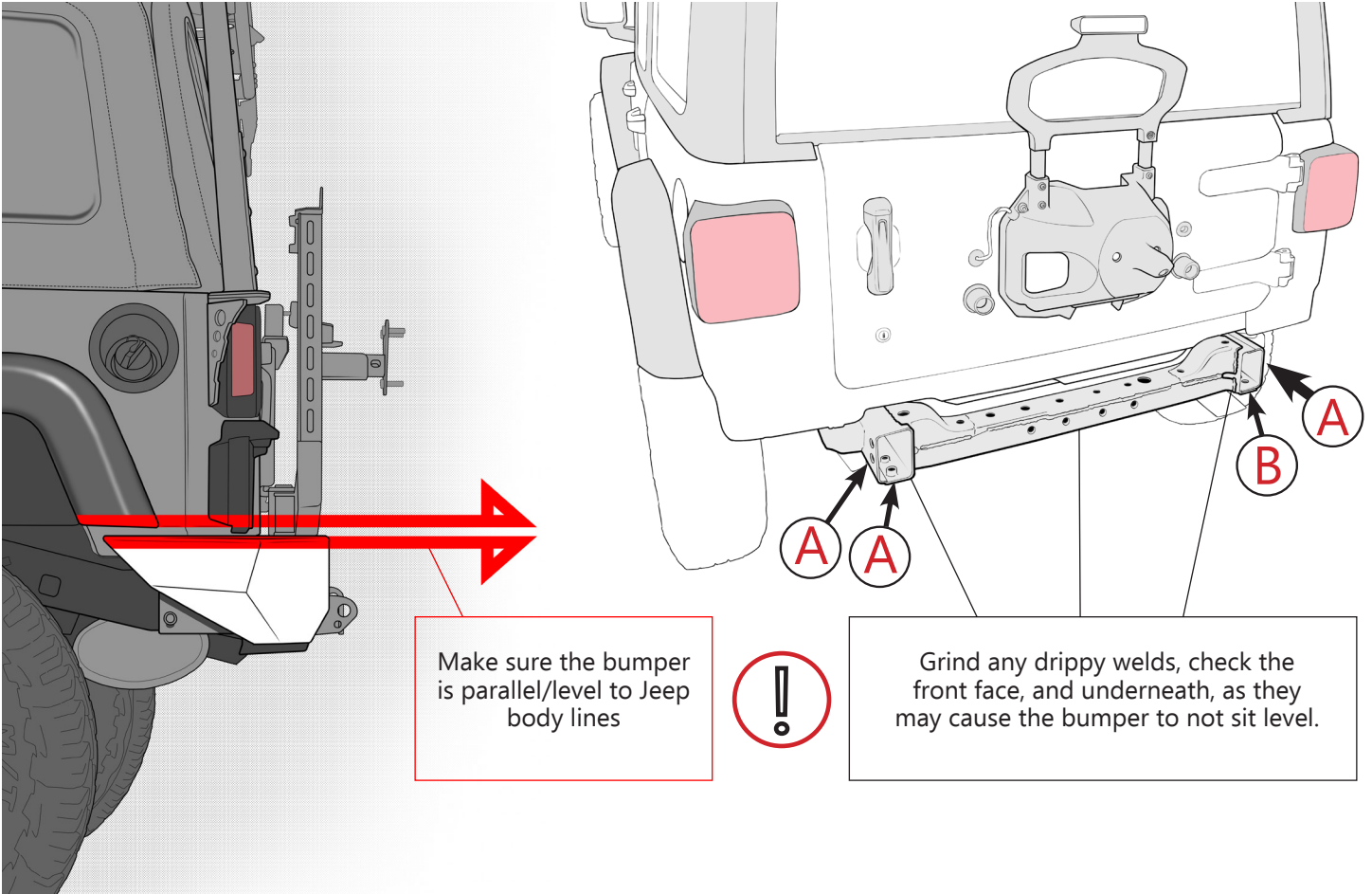
Place the bumper up to the rear of the vehicle. We used a scissor type jack.



Slide the bumper towards the vehicle until the two mount holes line up with the threaded holes in the frame.

**A**

Insert the provided **M14** hardware bolts and washers into holes labelled "**A**."  
Tighten with a **22mm** socket.

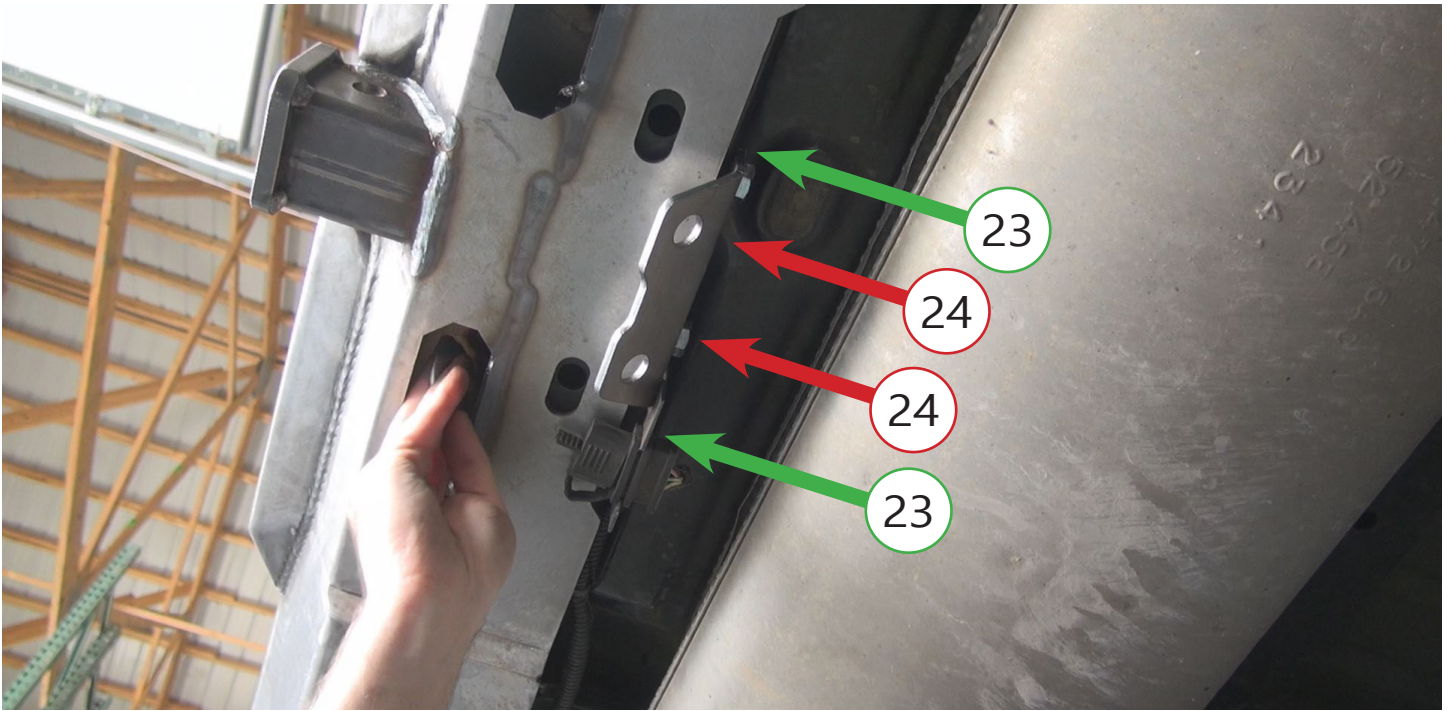


**B**

The two passenger side vertical holes marked as "**B**" will require **M14** bolts + washers + nuts as there are no weld nuts inside the frame. Tighten thoroughly.

**!**

Make sure the bolts are tightened so that they will not unscrew/vibrate loose when you are driving.



Place the 4" bolts labelled **(23)** into the outside holes, attach using provided hardware. Insert the 4.5" bolts labelled **(24)** in the middle, through the safety chain plate. Also secure using provided hardware.

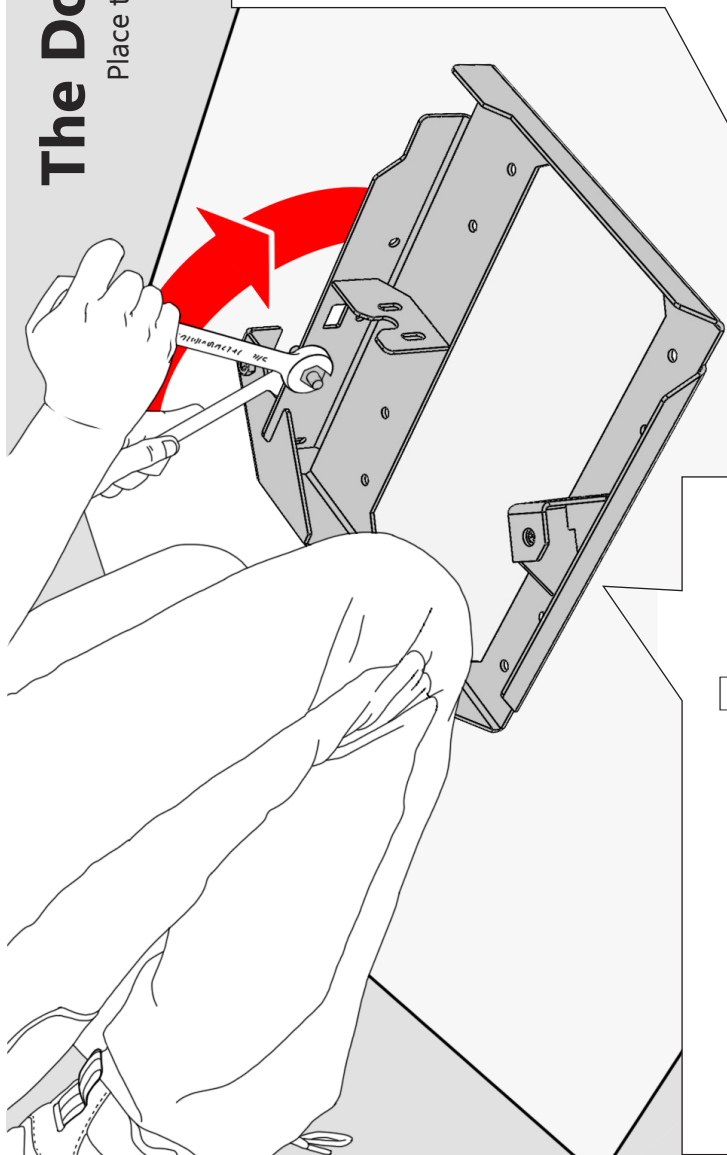


Attach and tighten down the foglight bezels with screws labelled using an allen key.

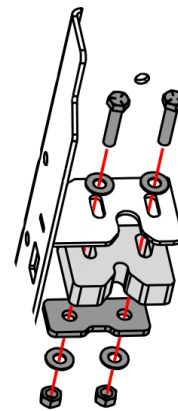
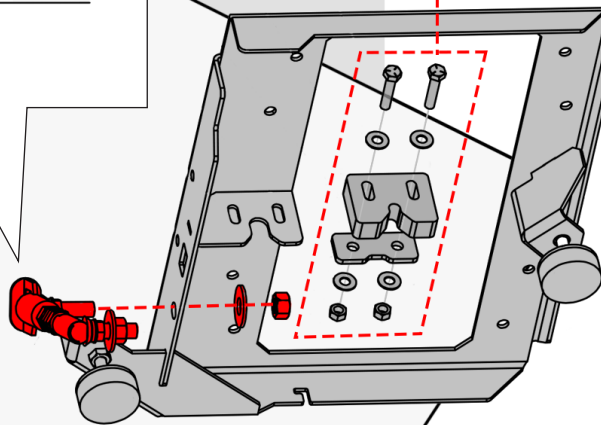
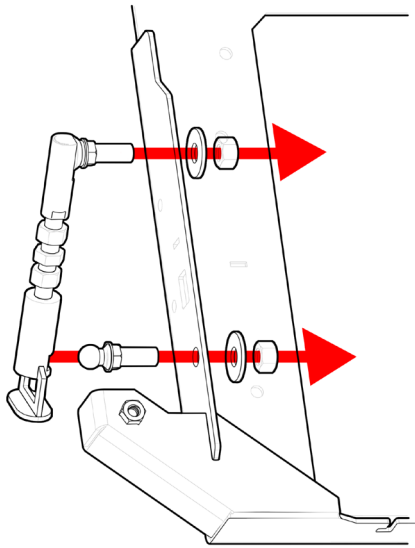
Plug the sensor holes (if you don't have sensors) with the provided caps before proceeding

# The Door Plate (Assembly)

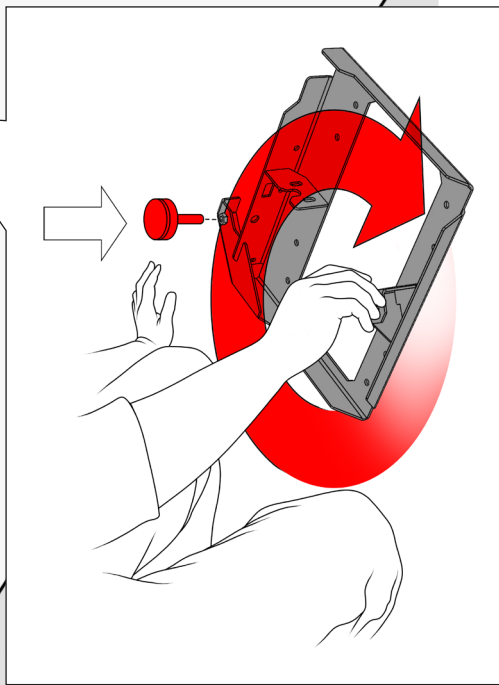
Place the door plate on a level, soft surface.  
We used a piece of cardboard



Attach the Quick-release latch as shown  
to the door plate  
(The latch is pre-assembled, some disassembly  
may be required)



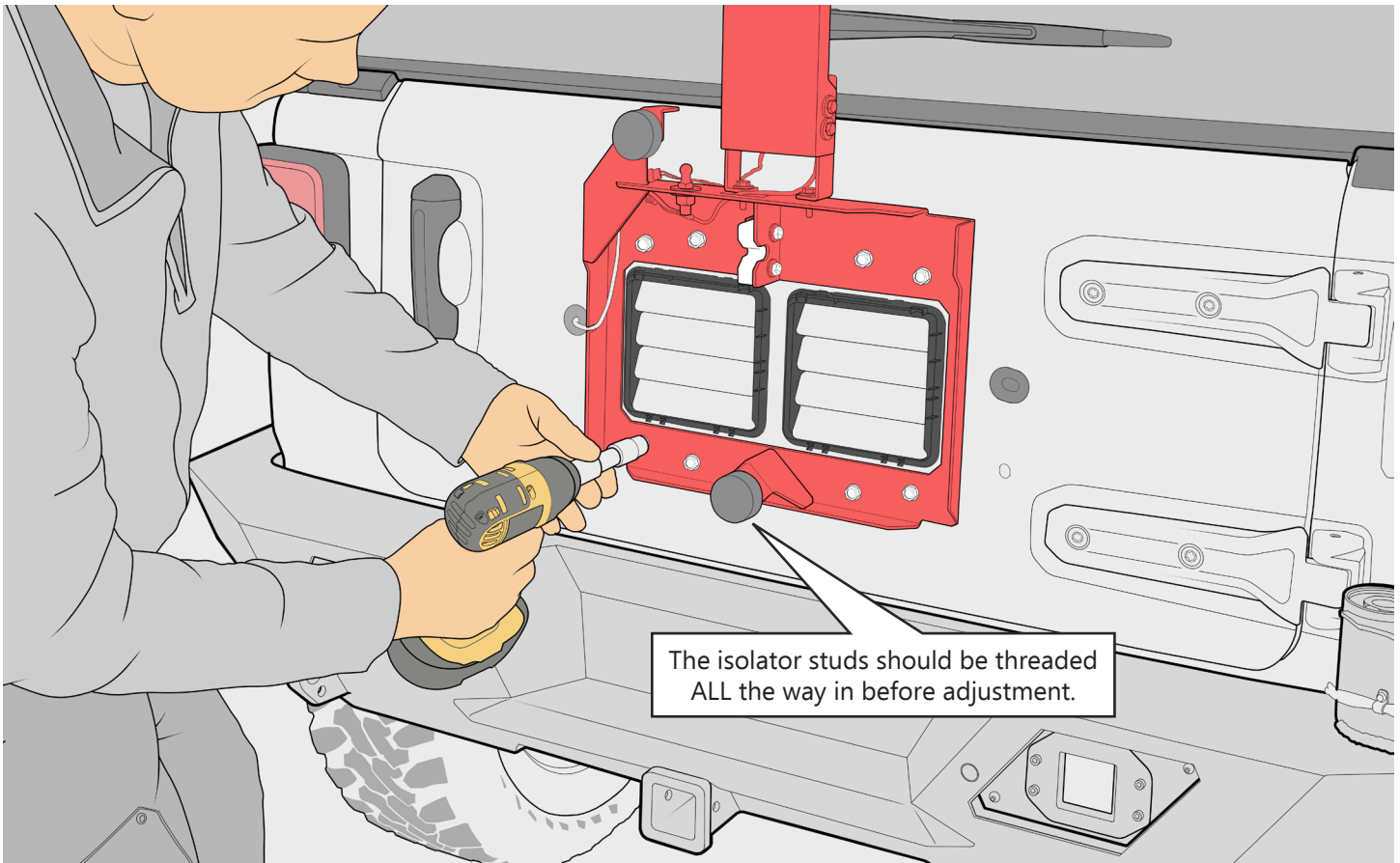
Loosely assemble the striker plate  
using 5/16" hardware as shown.



Insert both isolators by twisting them  
clockwise into the holes shown.

## The Door Plate: Placement

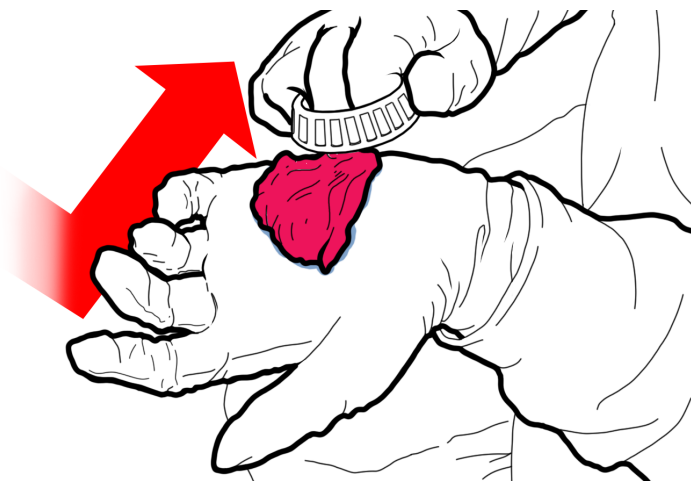
Mount the door plate (shown here with a 3rd brake light attached - sold separately) in the stock tire carrier holes, shown here in white. Use the stock door plate bolts, a 1/2" socket, and an impact. Be sure to not over-tighten!



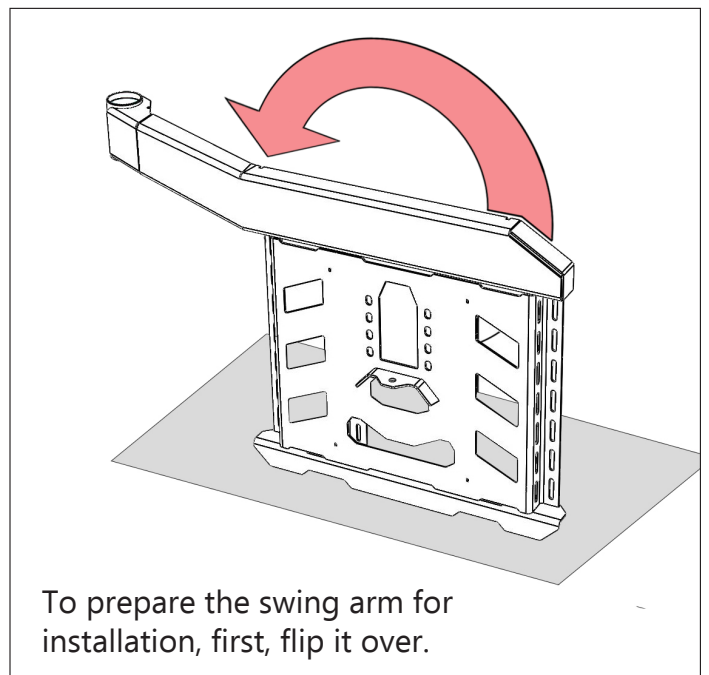
## Preparing The Swingarm: Grease Both Bearings

Grease both bearings thoroughly. You will insert the bottom bearing first.

Before assembling the tire carrier arm, you will need to pack the bearings with grease.



For a more thorough walk-through, you may find videos of this online.

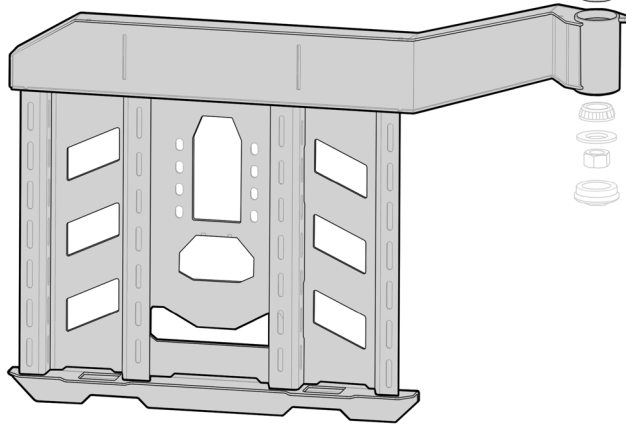


## Preparing The Swingarm: Insert Bottom Bearing

**Step 1**

**LM29749**

Insert bearing into the swing arm, with the tapered side facing down.



**Step 2** Place the seal onto the opening and keep it parallel to the surface.

Open side down

**Step 3**

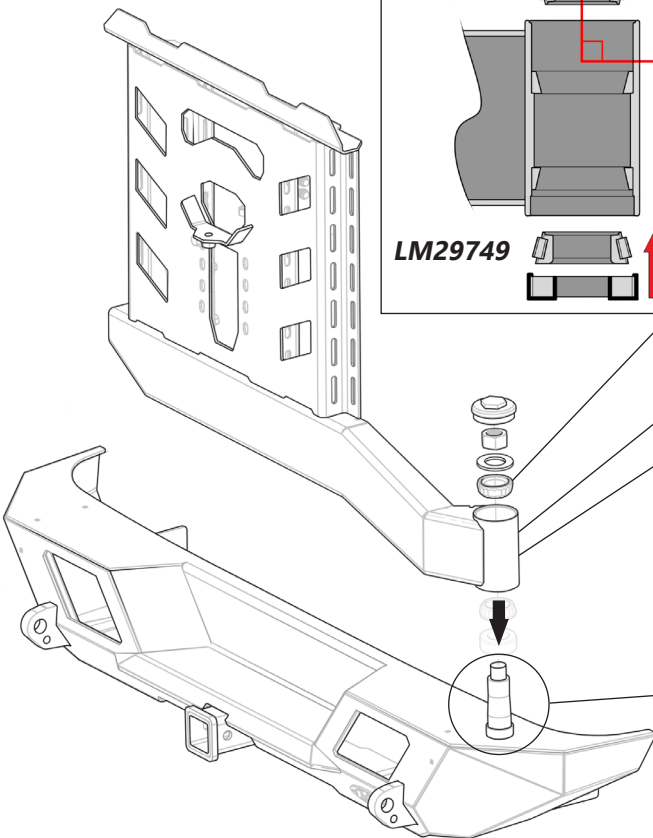
Use a block of wood + hammer to drive the oil seal into the tire carrier arm.

## Assemble The Swingarm

Assemble as shown in the diagram.

**!** Insert bearings perpendicular to tube for proper fit

**LM29749**



**Step 4** Keep the tire carrier arm parallel to the bumper top surface during install.

Keep parallel

**Step 5** Insert the bearing washer and the 1" nut on top. Add Locktite.

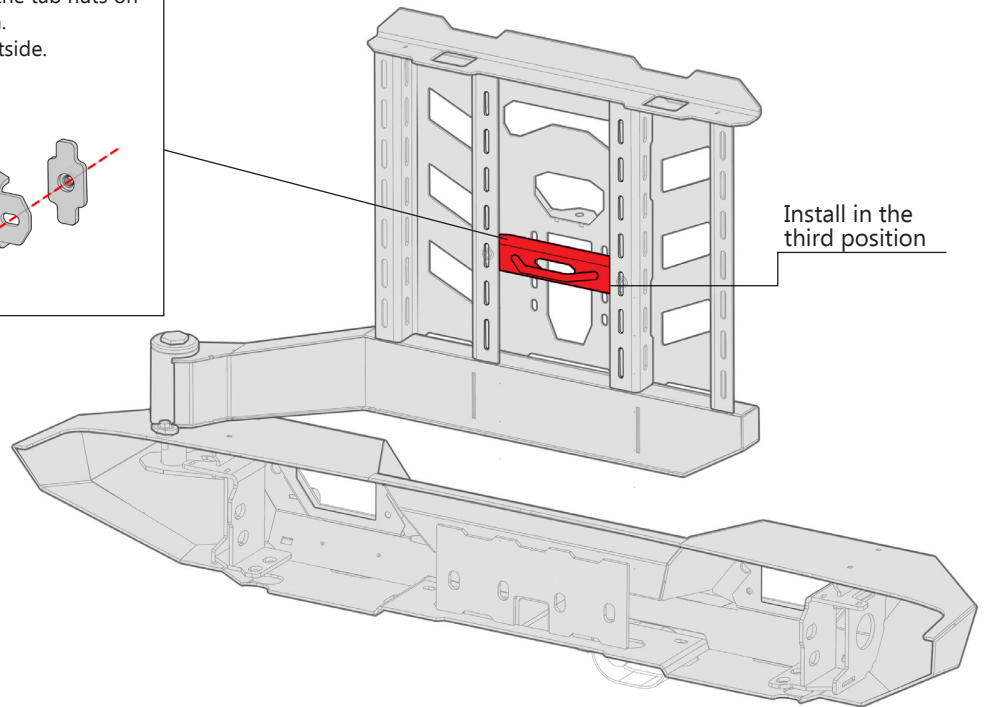
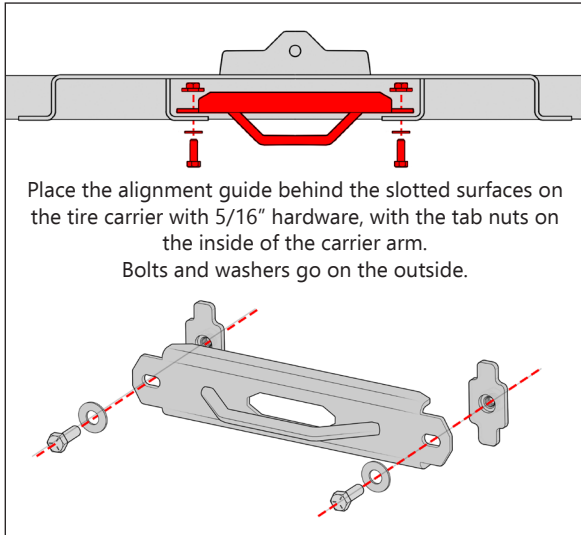
**Step 6**

**Tighten down the nut with a 1 1/2" socket**

Then install and tighten the spindle cap

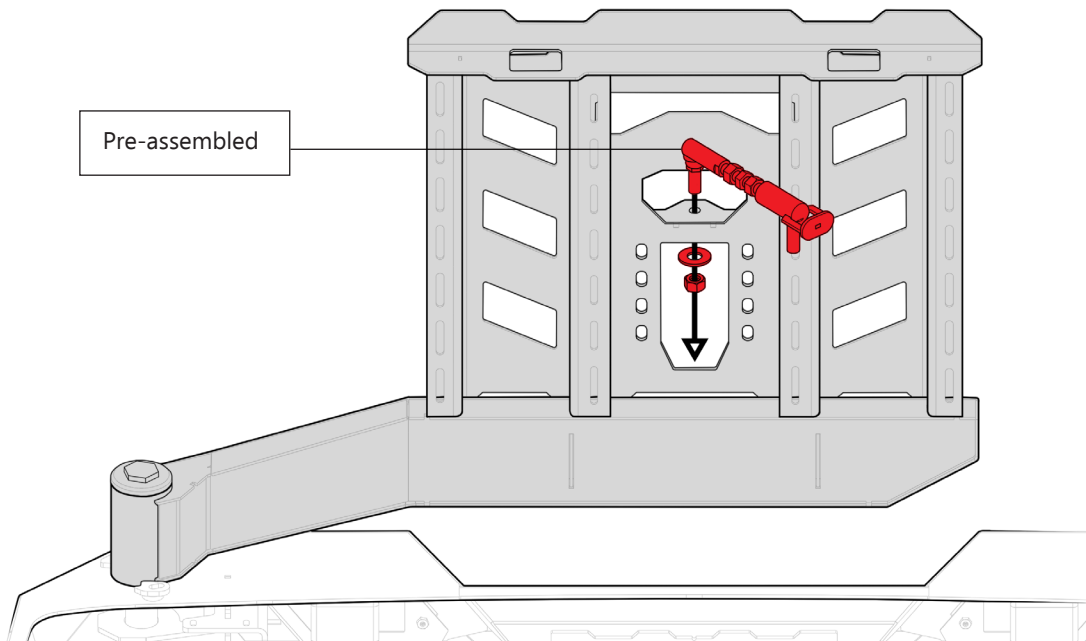
**DO NOT OVER-TIGHTEN!**  
Tighten the nut slowly, checking swing arm movement every 1/8th turn. If movement feels restricted, loosen the nut slightly.

## Attach Striker Latch (Carrier Side)



## Attach Quick-Release Latch

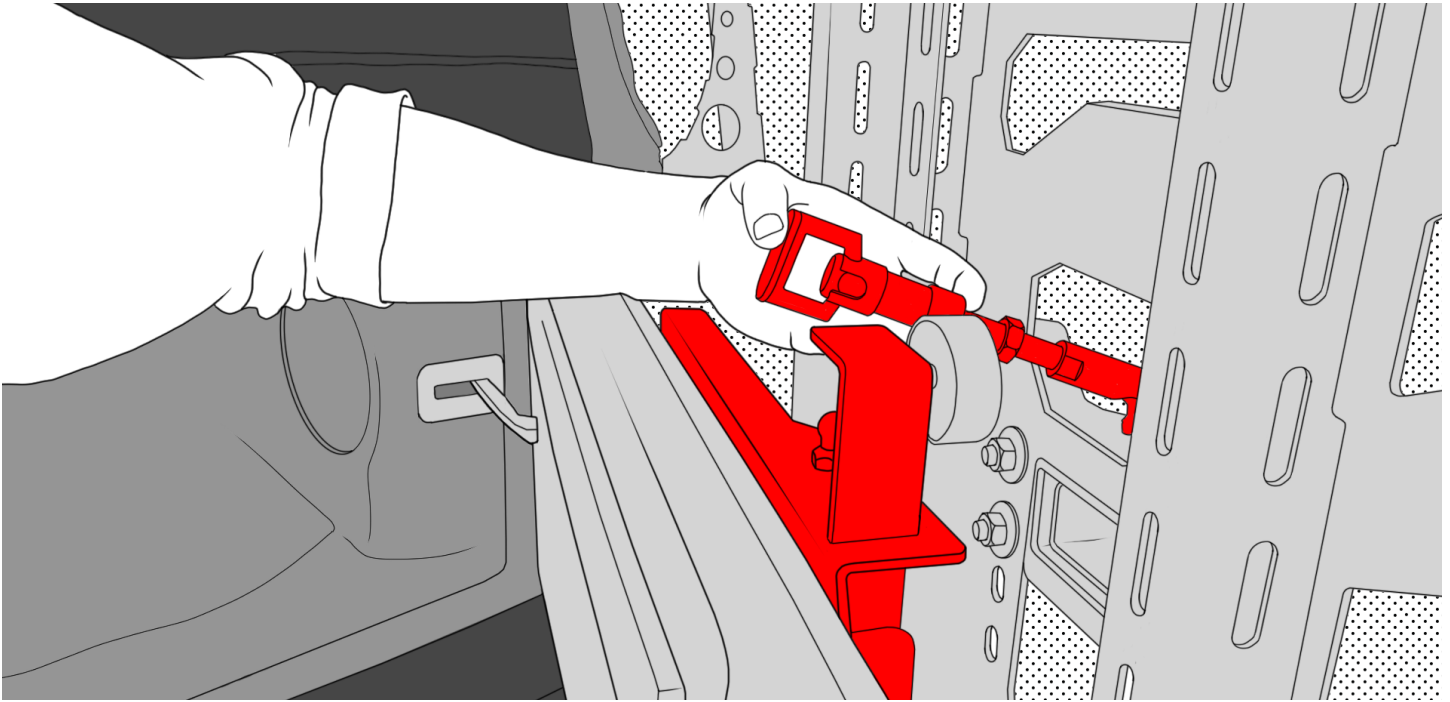
Attach the quick-release latch with the thumb loop towards the Jeep tailgate.





## Link Carrier to Tailgate

Attach the carrier arm to the Jeep tailgate with the quick-release latch.

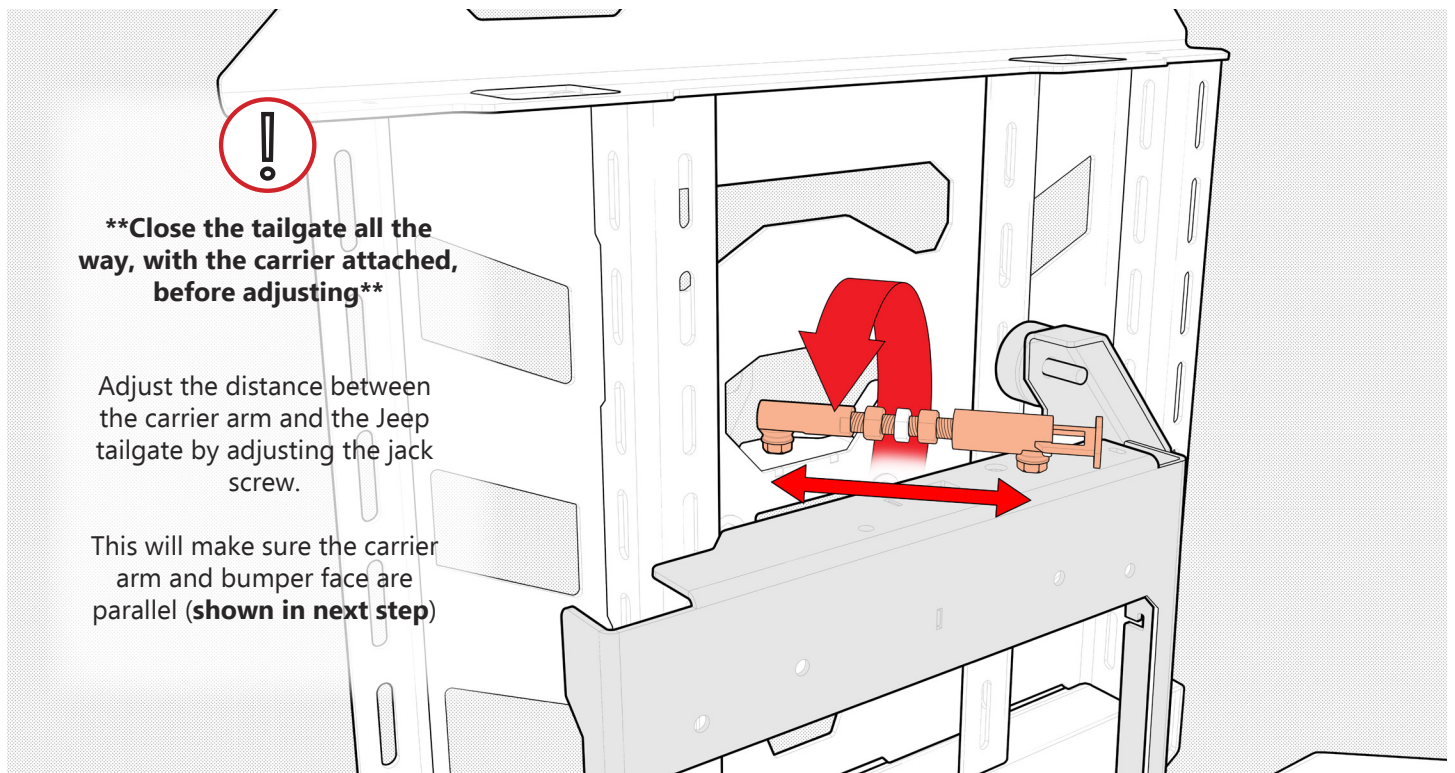


With the tailgate open, stand between it and the Jeep, grab the quicklatch with your left hand and slowly move the door until it is close enough for the latch to be engaged.

Press down on the plunger with your thumb and swing the latch down onto the mount stud on the door plate.

## Adjust Jackscrew

Adjust the jack screw with by twisting the middle nut, this changes the distance between the carrier and the Jeep body.



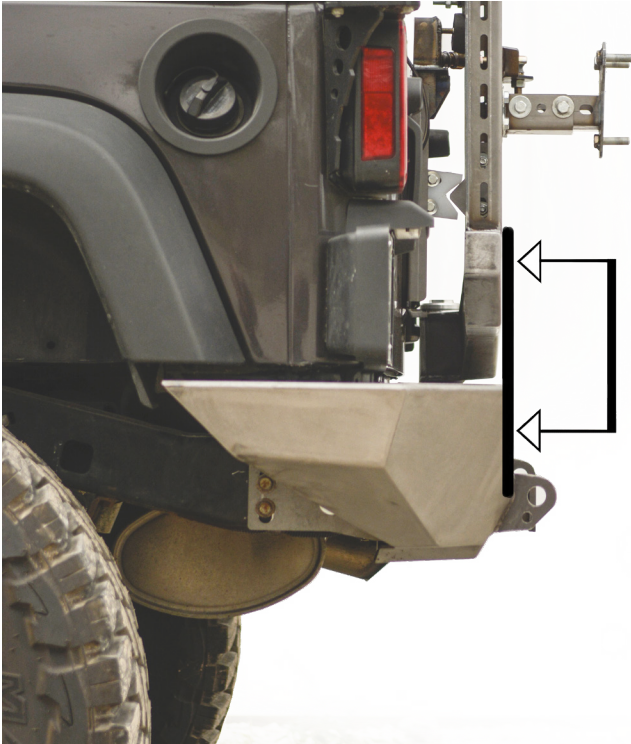
**\*\*Close the tailgate all the way, with the carrier attached, before adjusting\*\***

Adjust the distance between the carrier arm and the Jeep tailgate by adjusting the jack screw.

This will make sure the carrier arm and bumper face are parallel (**shown in next step**)

## Adjust Jackscrew

Achieve the shown alignment by adjusting the jackscrew shown in the previous step.



In order for the carrier to close and stay shut properly, the carrier arm face and bumper face must be oriented perpendicular to the side of the Jeep (as seen in the profile view).

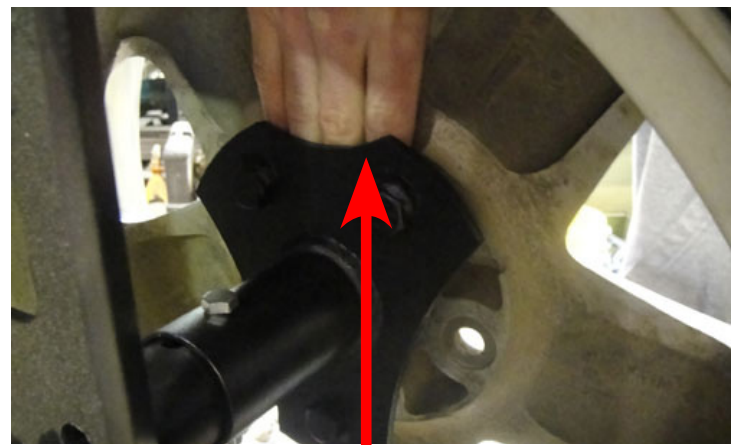
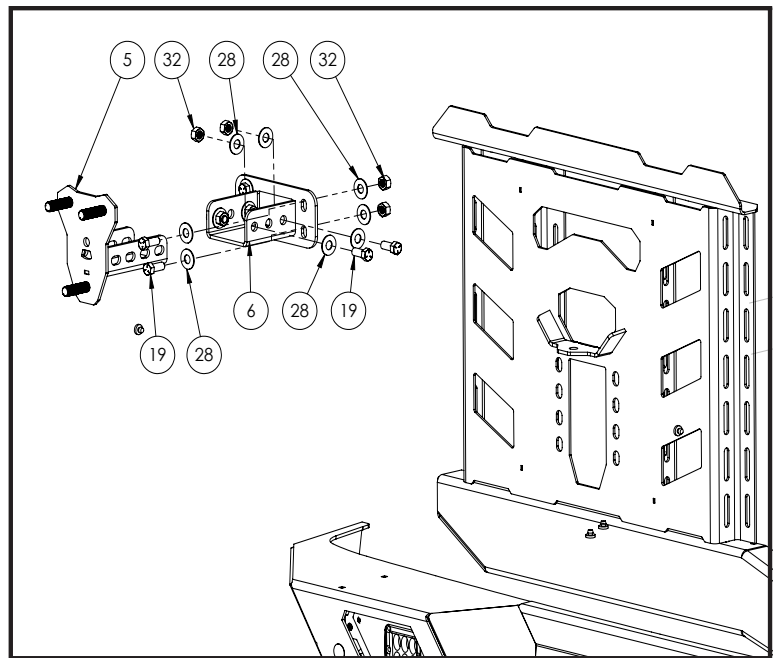
Use the jack screw to adjust (illustrated in previous step).

**\*\* Do NOT try to line the faces up, they are not meant to be on the same plane, just parallel, meaning the carrier arm is not swung out nor in too far\*\***

## Add Tire Mount

Attach the tire mount bracket as shown, using four bolts, nuts, and washers to mount to the carrier body. Attach the tire mount using the same hardware.

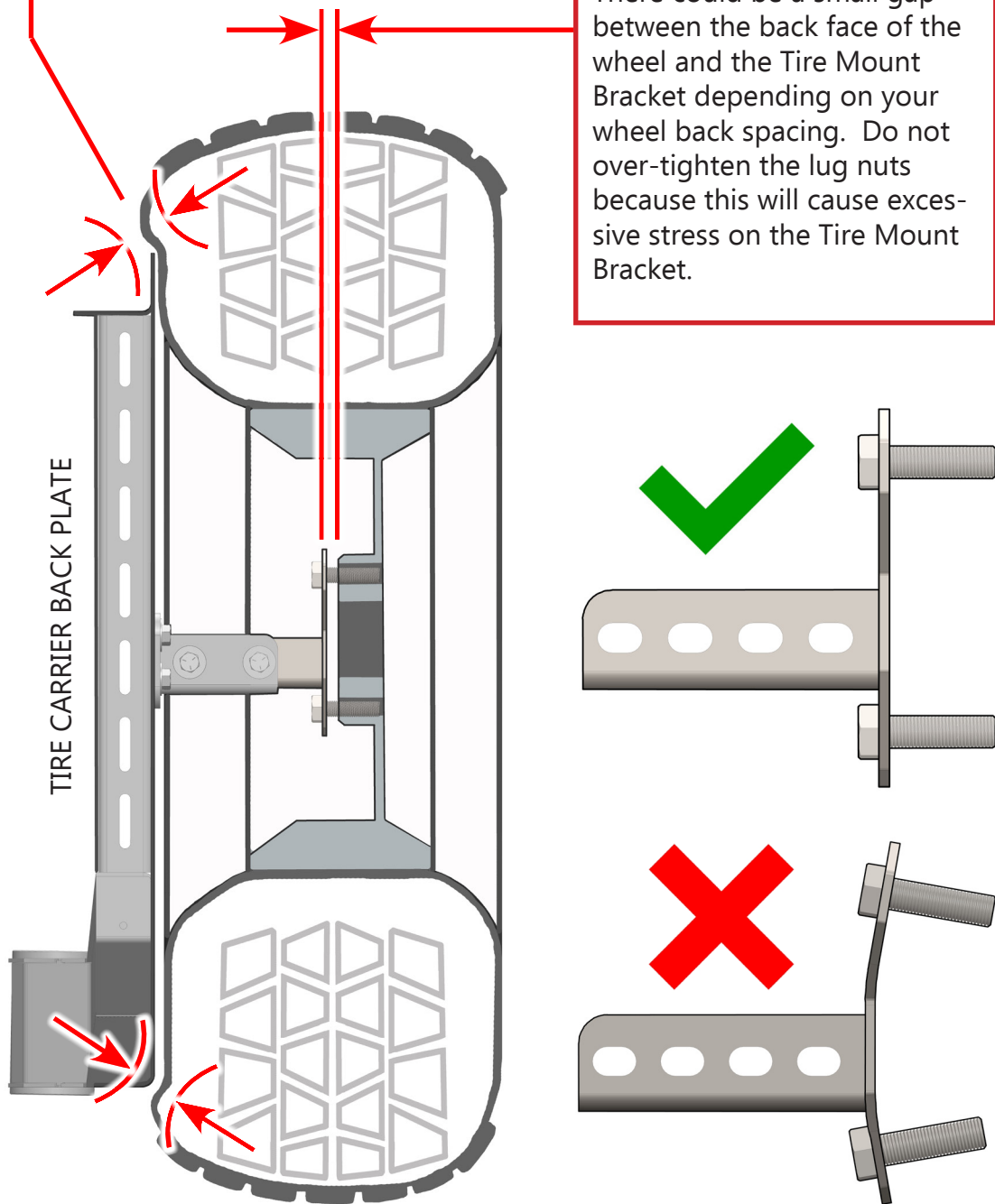
*(Refer to Bill of Materials for correct hardware sizes and quantities)*



There could be a small gap between the back of the wheel and the mount plate, this is ok because the tire is pressed against the Tire Carrier Back Plate.

Your tire should squeeze against the back plane of the tire carrier at the top and the bottom.

There could be a small gap between the back face of the wheel and the Tire Mount Bracket depending on your wheel back spacing. Do not over-tighten the lug nuts because this will cause excessive stress on the Tire Mount Bracket.

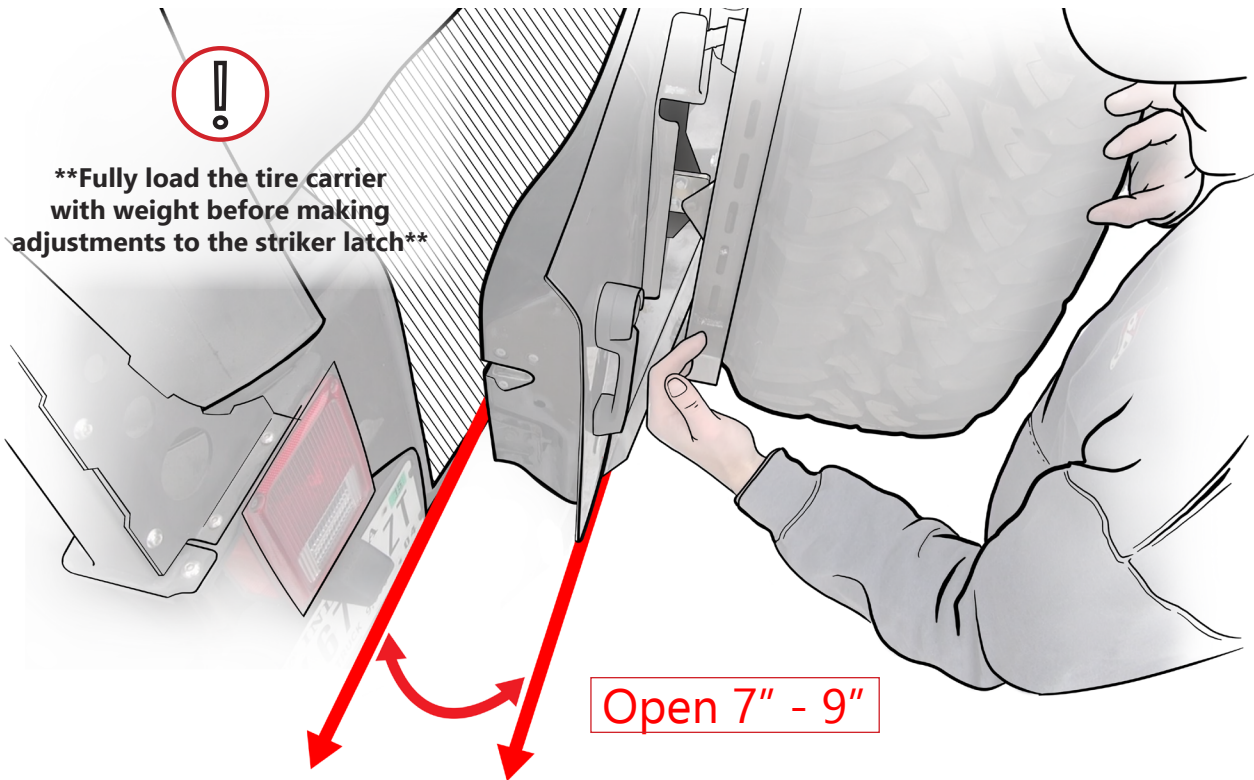


**WARNING!**

To prevent excessive tire shaking, your tire must be squeezed and making contact with the Tire Carrier Back Plate. Failure to do so could lead to Tire Bracket failure and the loss of your tire.

## Adjust and Tighten Striker Latch

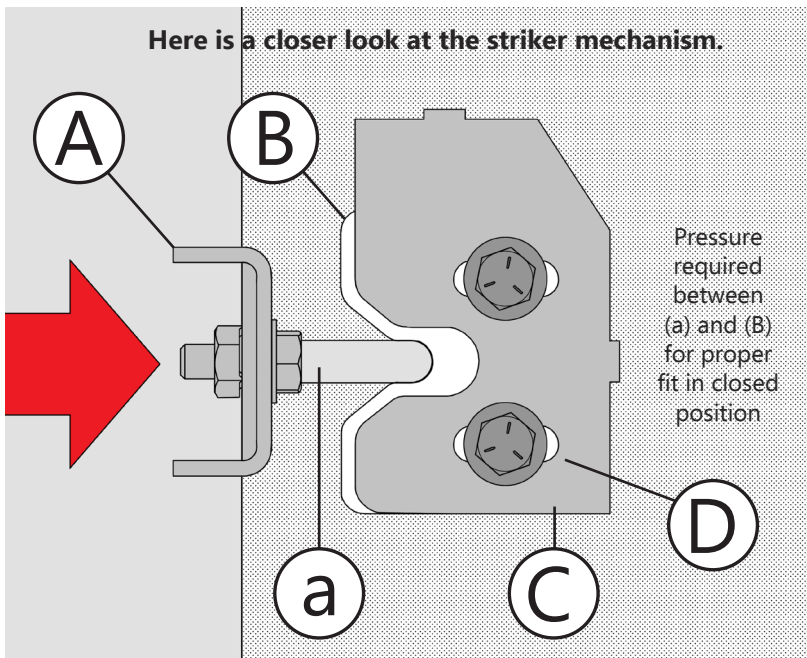
Open the tailgate 7 - 9 inches before adjusting the striker latch, see the next step.



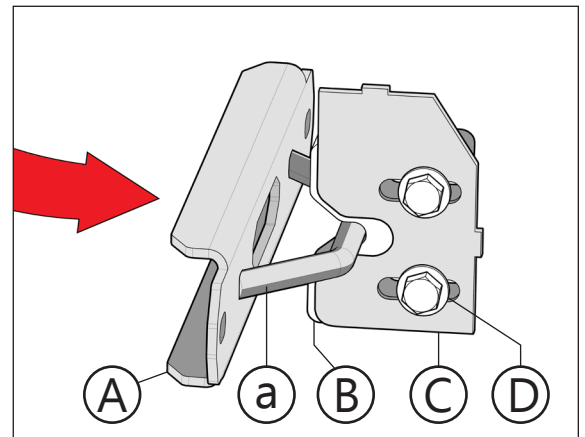
## Adjust and Tighten Striker Latch - Cont'd

\*\*With the carrier fully loaded with weight, the position of (A) will shift down slightly, and you will need to re-adjust to compensate for the slight offset\*\*

With the tailgate open 7 - 9 inches, line up the striker latch (A) and the guide plate (B) as shown.



The alignment plate rod (a) should be centered to the cutout in (B) which is mounted on the door plate (C) and they should be making contact.

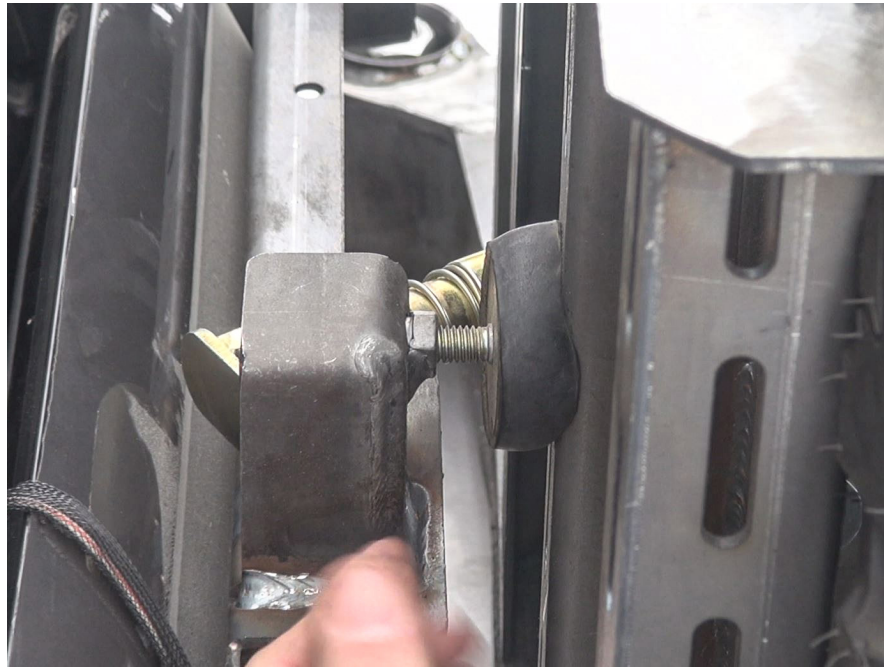
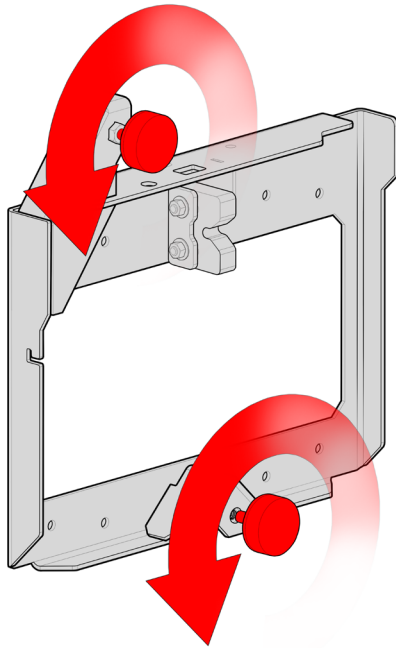


Latch should be engaged as shown with the tailgate open 7 - 9 inches

Tighten bolts (D) thoroughly. This way there will be a slight pressure exerted by (A) on (B) and it will prevent the carrier from rattling.

## Adjust Threaded Isolators

Open the tailgate open **7 - 9 inches** again, you will now adjust your rubber threaded isolators (**15**) so they make contact with the carrier. When you close the carrier/tailgate, they should squish down slightly, as shown.



### Final Notes

This diagram illustrates final bumper fitment with the carrier shut. The top of the bumper is level to the body of the Jeep. The carrier is tilted slightly towards the vehicle.

#### TIP 1 :

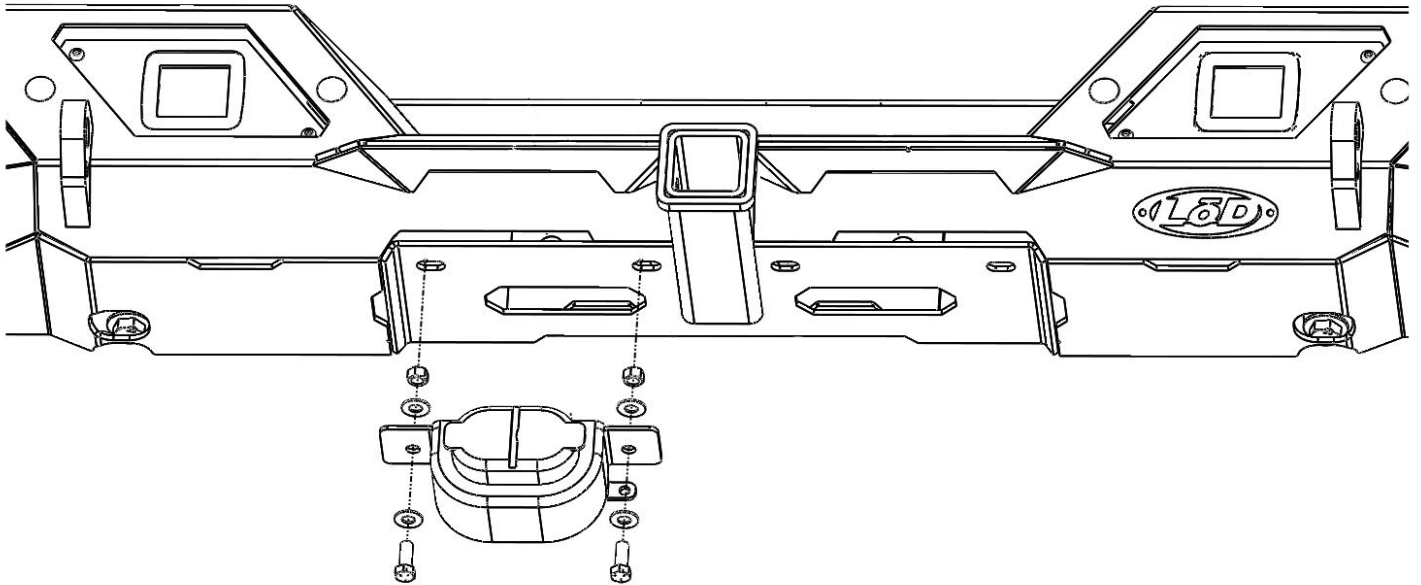
If you find that the carrier does not shut properly, **MAKE SURE** you check the level of the bumper to the vehicle body lines, as it may have shifted during installation.

#### TIP 2 :

If you find that the rubber bumpers are not long enough, again, check your mounting bolts, level of the bumper, striker plate, and jack screw distance.

## Re-attach Trailer Plug Mount

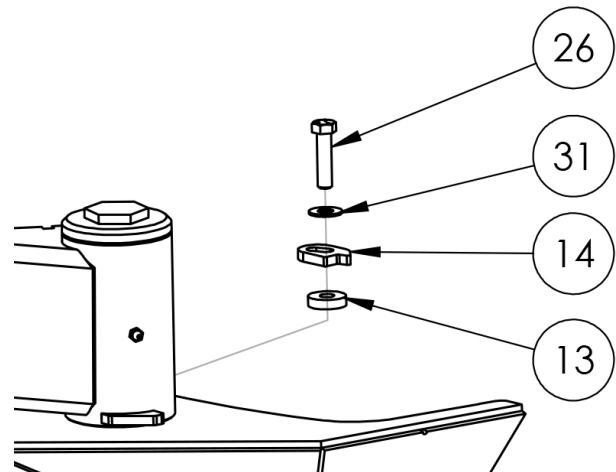
Re-attach the OEM trailer plug socket you removed earlier and plug it back into the harness.



Re-install the stock trailer plug socket that was removed from the OE bumper. Use bolts, washers, and nuts.

## Attach The Swing Stop

Add the swing-stop, to prevent damage to the Jeep body.



Install the swing-stop using the bolt and washer on top and the 1/4" spacer underneath.

**Specifications:**

**Max Tire size:**  
 40" without accessory mounts  
 38" with accessory mounts

**Weight Limits:**  
 300 lbs Max combined weight  
 (includes tire, accessories and accessory mounts)

\*\*Only install one accessory per side. Do not double stack accessories\*\*

**NOT OK**  
 Only one accessory per side!

**300 LBS MAX.**

**\*\*Maintenance\*\***

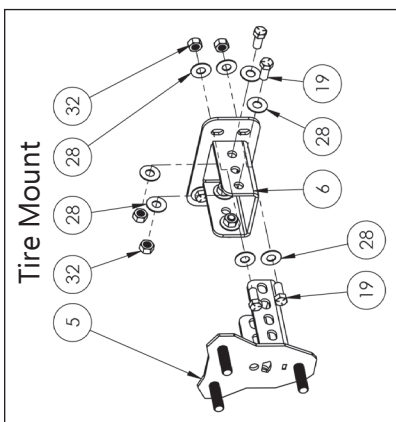
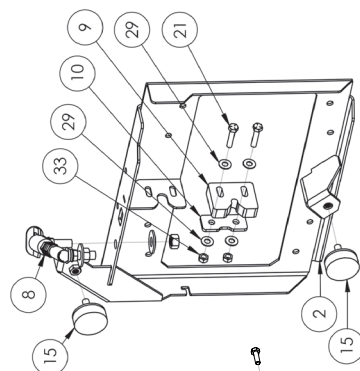
**Tire Carrier & Swing Arm:**

- Once per year or as needed, add bearing grease to the Tire Carrier Swing Arm Spindle via the grease fitting on the side of the spindle. We suggest using a Lithium type automotive multi-purpose grease or wheel bearing grease (Red) that is water resistant.
- Periodically check and re-tighten all fasteners. Adjust the swing arm isolators and latch to ensure rattle free operation.
- Periodically check your Bumper and Tire Carrier and accessory mounts for scratches, dings, or rust spots which can happen over time or after heavy use. It is important to address these areas as soon as possible to prevent rust and corrosion from spreading. We recommend using Rustoleum® brand Black Semi-Gloss Protective Enamel (oil based). Apply using a foam brush by dabbing to match the powder coat texture.

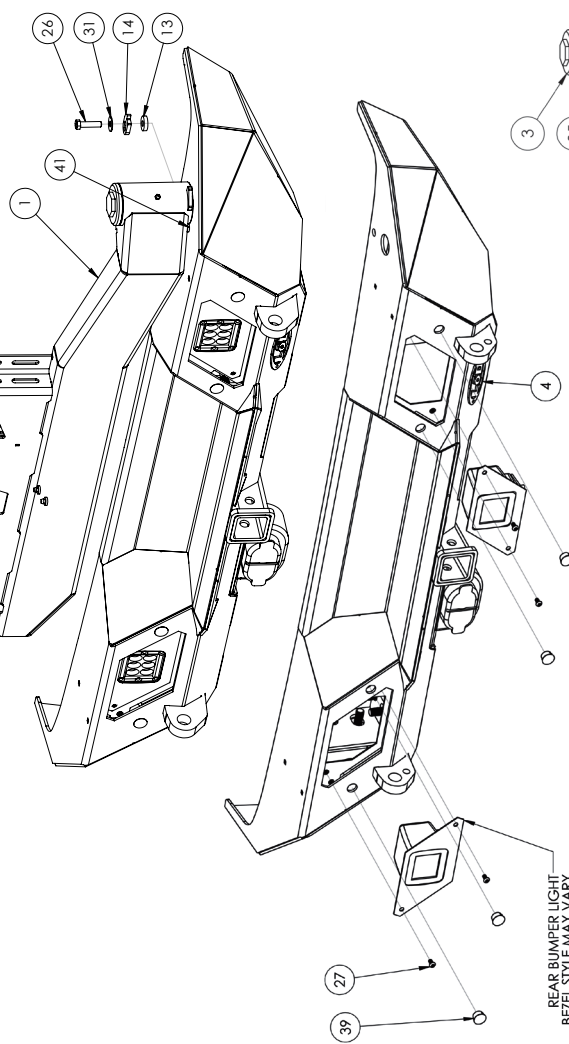


# Destroyer Rear Bumper w/ Tire Carrier

## JBC1800/JBC1801

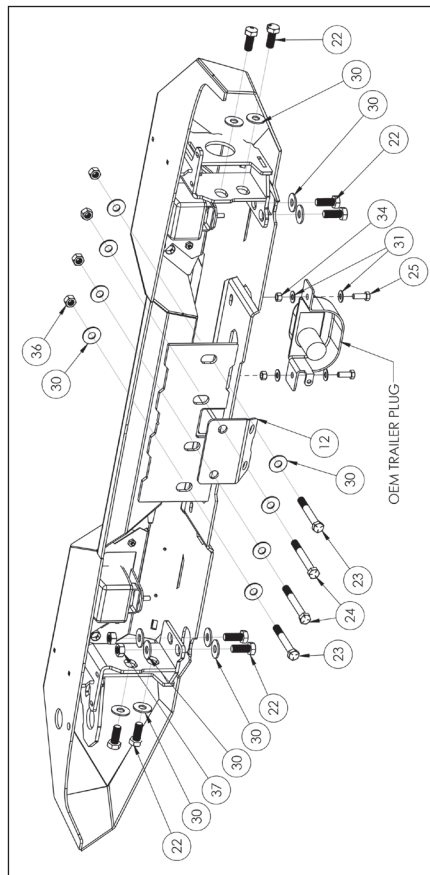


JBC1801 - Rev 12



REAR BUMPER LIGHT BEZEL STYLE MAY VARY

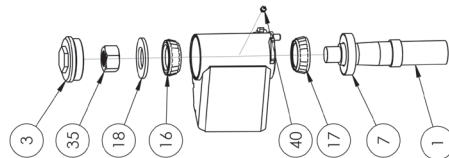
6/11/20



OEM TRAILER PLUG

Page 16

ITEM NO.	PART NUMBER	DESCRIPTION	QTY.
1	4JBC1800-01	DESTROYER SHORTY REAR BUMPER WITH CARRIER WELDMENT	1
2	4JBC1800-02	JEEP JL TIRE CARRIER DOOR PLATE	1
3	2JIC1002-03	SPINDLE CAP	1
4	LOD logo	Logo Plate	1
<b>HARDWARE KIT</b>			
ITEM NO.	PART NUMBER	DESCRIPTION	QTY.
5	4JBC1800-03	JEEP JL TIRE MOUNT	1
6	4JTC1001-04	TIRE MOUNT BRACKET	1
7	450068	TIMKEN BEARINGS SEAL 450068	1
8	4JTC1001-09	QUICK RELEASE LATCH	1
9	2JTC1001-43	POLYMER STRIKER PLATE	1
10	2JTC1001-55	STRIKER BACKUP PLATE	1
11	4JBC1800-04	ALIGNMENT GUIDE	1
12	2JTC1001-47	SAFETY CHAIN PLATE	1
13	2JBC1800-11	SWING STOP SPACER	1
14	2JBC1800-10	SWING STOP	1
15	2JTC1001-52	RUBBER ISOLATOR	2
16	LM48548	TOP TAPERED BEARING	1
17	LM29749	BOTTOM TAPERED BEARING	1
<b>BOLT KIT</b>			
ITEM NO.	PART NUMBER	DESCRIPTION	QTY.
18	2JTC1001-22	BEARING WASHER	1
19	HB431416ZPGR5	HEX BOLT 7/16-14 X 1.00 HEX BOLT ZINC PLATE GR5	8
20	HB311816ZPGR5	HEX BOLT 5/16-18 X 1.00 ZINC PLATE GR5	2
21	HB311824ZPGR5	HEX BOLT 5/16-18 X 1.50 ZINC PLATE GR5	2
22	HB14150M35ZPCL88	HEX BOLT M14-1.50 x 35mm ZINC PLATE CL8.8	8
23	HB501364ZPGR5	HEX BOLT 1/2-13 X 4.00 HEX BOLT ZINC PLATE GR5	2
24	HB501372ZPGR5	HEX BOLT 1/2-13 X 4.50 HEX BOLT ZINC PLATE GR5	2
25	HB381616ZPGR5	HEX BOLT 3/8-16 X 1.00 ZINC PLATE GR5	2
26	HB381624ZPGR5	HEX BOLT 3/8-16 X 1.500 ZINC PLATE GR5	1
27	BHSC525008SS	BHSCS 1/4-20 X 0.50 STAINLESS STEEL	4
28	FW4318ZP	FLAT WASHER Ø7/16 X 1.25" ZINC PLATED	16
29	FW3114ZP	FLAT WASHER Ø5/16" X .875" ZINC PLATE	6
30	FW5022ZP	FLAT WASHER Ø1/2" X 1.375" ZINC PLATE	18
31	FW3816ZP	FLAT WASHER Ø3/8" X 1.00 ZINC PLATE	5
32	HN4316ZPGR5	HEX NUT 7/16-14 ZINC PLATE GR5	8
33	HN3118ZPGR5	HEX NUT 5/16-18 ZINC PLATE GR5	2
34	HN3816ZPGR5	HEX NUT 3/8-16 ZINC PLATE GR5	2
35	HN1014ZPGR5	HEX NUT 1-14 ZINC PLATE GR5	1
36	HN5013ZPGR5	HEX NUT 1/2-13 ZINC PLATE GR5	4
37	HN14150MZFGR5	HEX NUT M14 X 1.50mm ZINC PLATE GR5	2
38	THN3118ZPGR5-01	TABBED HEX NUT 5/16-18 ZINC PLATE GR5	2
39	HP1000	SENSOR HOLE PLUG	4
40	2JFC0701-10	GREASE FITTING 1/4-28	1
41	HP1002	HOLE PLUG Ø1/4 ID	3



Spindle Assembly





**JL Jeep  
DESTROYER SERIES**

Tire Carrier  
SHIPPING SHEET

Packaged by:

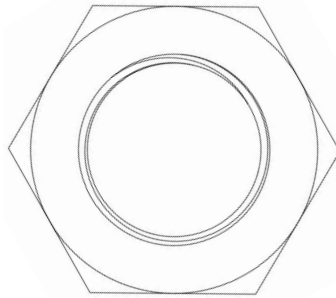
\_\_\_\_\_

On:

\_\_\_\_\_

1-14"  
Hex Nut

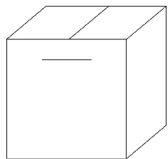
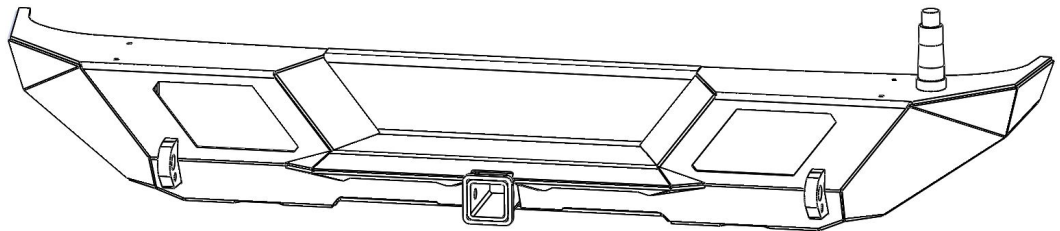
(1)



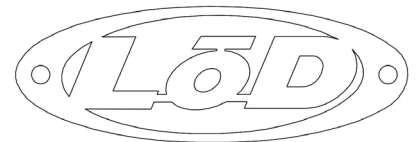
\*installed on tire carrier spindle\*



Bumper



Hardware Kit  
(contents  
may vary)

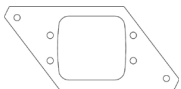


**LoD Logo  
Plate (x1)**



(packaged separate if  
bumper is bare steel)

**\*\*ONLY ONE SET INCLUDED\*\***



Flush  
Mount  
Light  
Bezels



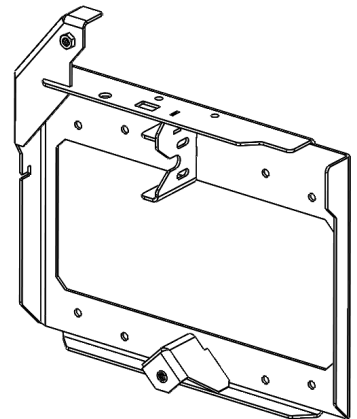
D Series  
Light  
Bezels



Blank  
Light  
Bezels



Round  
Halogen  
Light Bezels



JL Door Plate



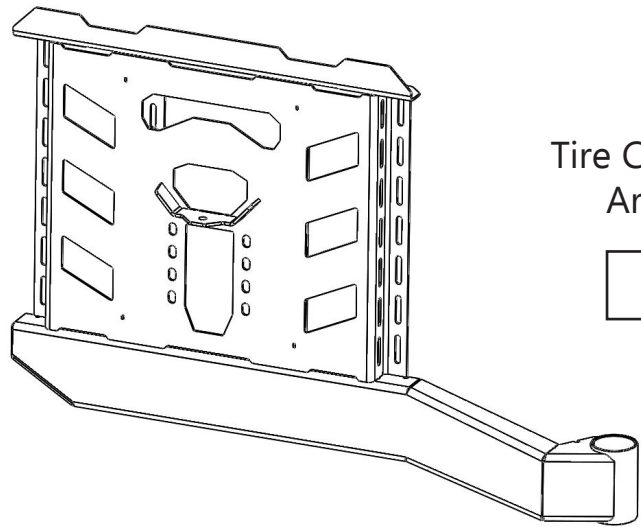


**JL Jeep**  
**DESTROYER SERIES**  
 Tire Carrier  
 SHIPPING SHEET Pt.2  
 Packaged by:

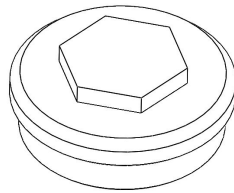
\_\_\_\_\_

On:

\_\_\_\_\_

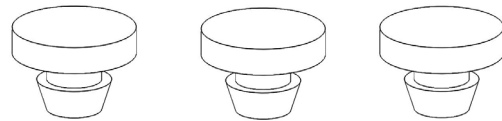


Tire Carrier Arm



Spindle Top Cap

\*Installed in Tire Carrier Swing Arm



Rubber Hole Plug (x 3)  
 (HP1002)



\*Installed in Tire Carrier Swing Arm

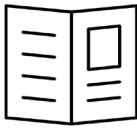


**JL Jeep  
DESTROYER SERIES**

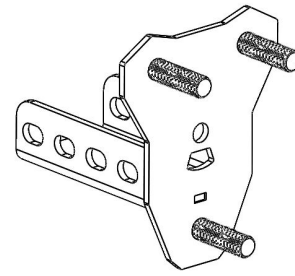
Tire Carrier  
Hardware Kit

Packaged by:

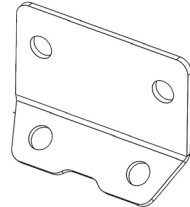
\_\_\_\_\_  
On:  
\_\_\_\_\_



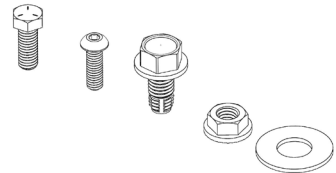
Instruction  
Booklet



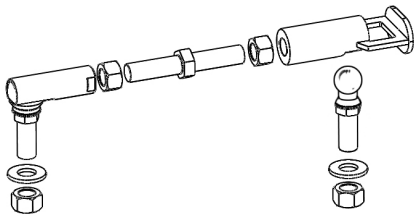
Tire  
Mount  
Plate



JL Safety  
Chain Plate



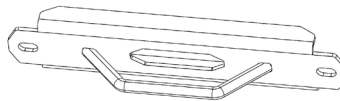
BOLT KIT  
(may vary)



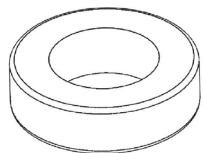
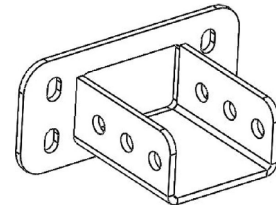
Quick Release  
Latch Assembly



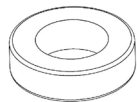
JL Alignment  
Guide



Tire Mount Bracket



Spindle Oil Seal (x1)

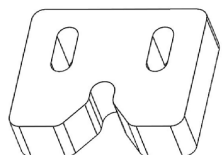


Top  
Tapered  
Bearing (LM48548)

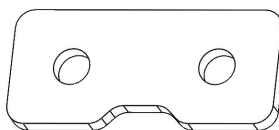


Bottom  
Tapered  
Bearing (LM29749)

BEARINGS



Polymer  
Striker Plate



Striker  
Plate Washer





**JL Jeep  
DESTROYER SERIES**

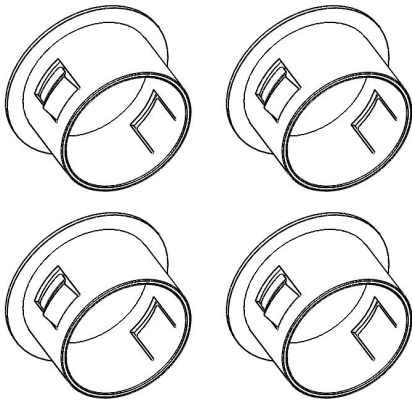
Tire Carrier  
Hardware Kit Pt.2

Packaged by:

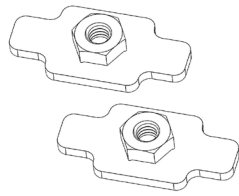
\_\_\_\_\_

On:

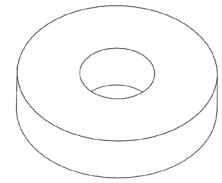
\_\_\_\_\_



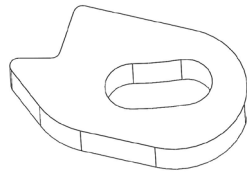
**(4)**  
Sensor Hole  
Plugs



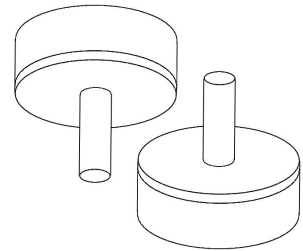
Tabbed  
Hex Nuts **(2)**



Swing Stop  
Spacer **(1)**



Swing Stop **(1)**



Threaded  
Isolator **(2)**



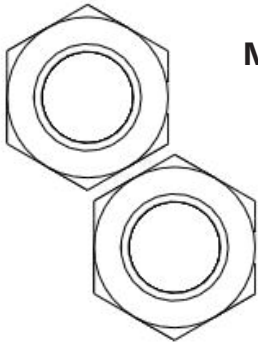
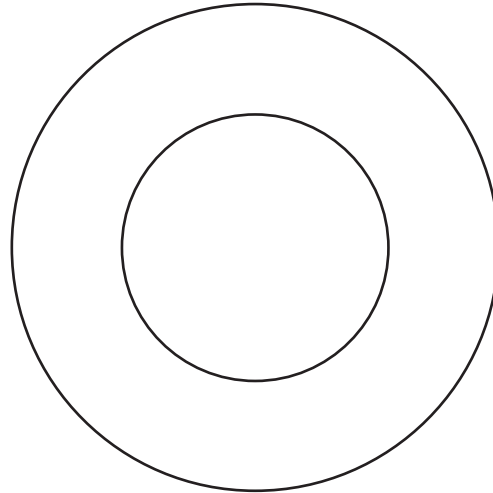


**JL Jeep**  
**DESTROYER SERIES**  
 Tire Carrier  
 Bolt Kit  
 Packaged by:

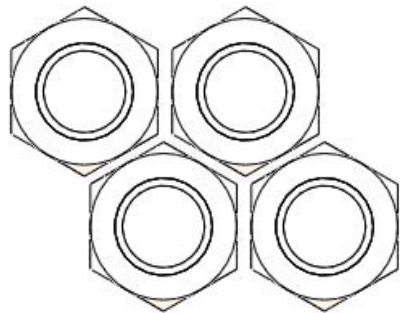
\_\_\_\_\_  
 On:  
 \_\_\_\_\_

1.395" x 2.542"  
**Bearing Spindle Washer**

**(1)**



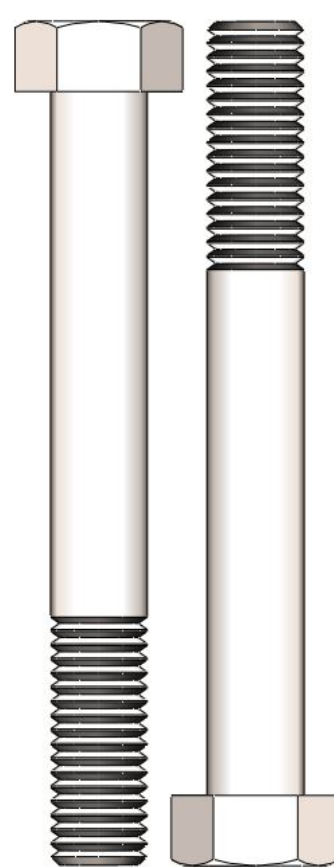
**M14-1.5mm**  
 Hex Nut  
**(2)**



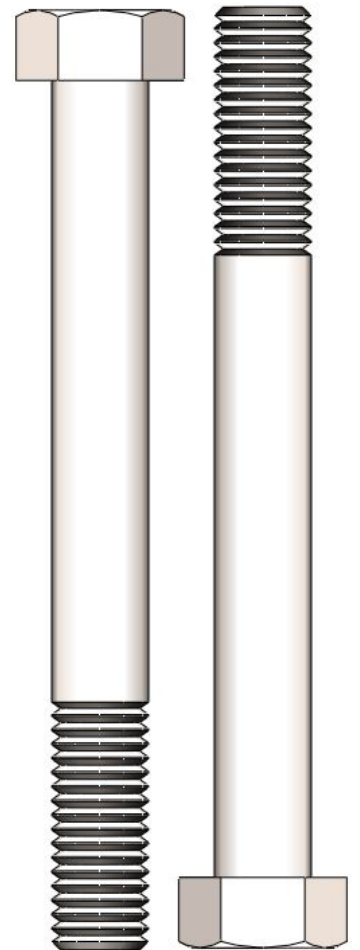
**1/2-13**  
 Hex Nut  
**(4)**



**1/4-20 x 0.5"** Buttonhead  
 Socket Cap Screw  
**(4)**



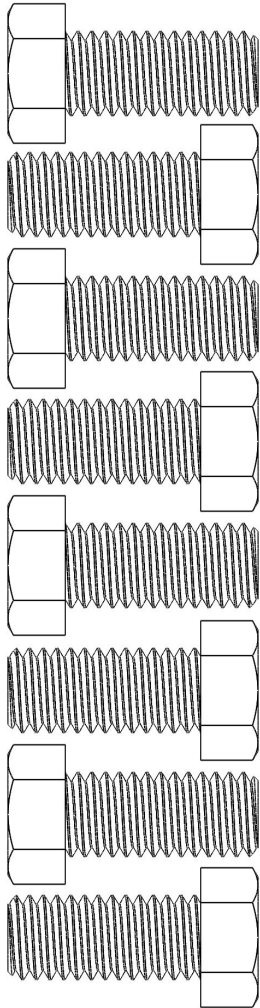
**1/2-13 x 4"** Hex Bolt  
**(2)**



**1/2-13 x 4.5"** Hex Bolt  
**(2)**

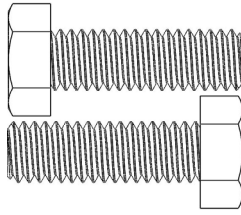
7/16-14 x 1"  
Hex Bolt

(8)



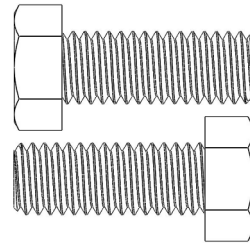
5/16-18 x 1"  
Hex Bolt

(2)



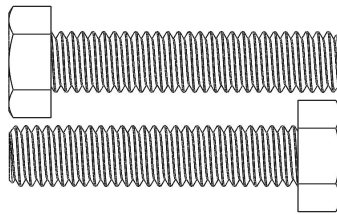
3/8-16 x 1"  
Hex Bolt

(2)



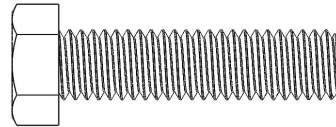
5/16-18 x 1.5"  
Hex Bolt

(2)



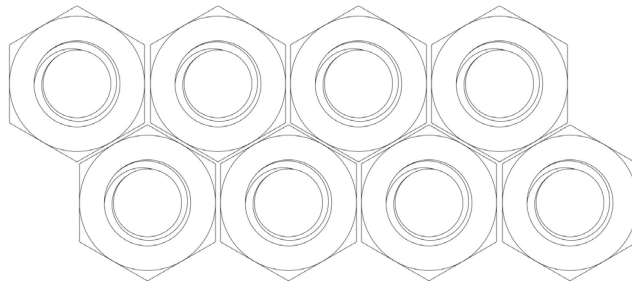
3/8-16 x 1.5"  
Hex Bolt

(1)



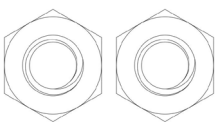
7/16-14"  
Hex Nut

(8)



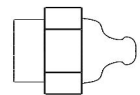
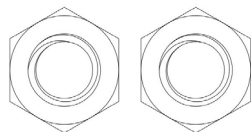
5/16-18"  
Hex Nut

(2)



3/8-16"  
Hex Nut

(2)

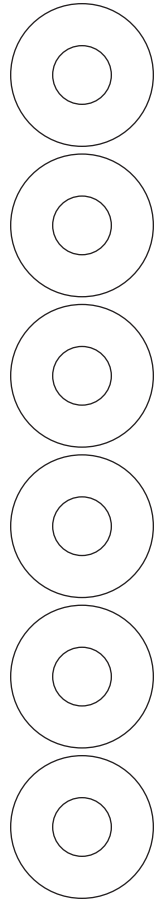
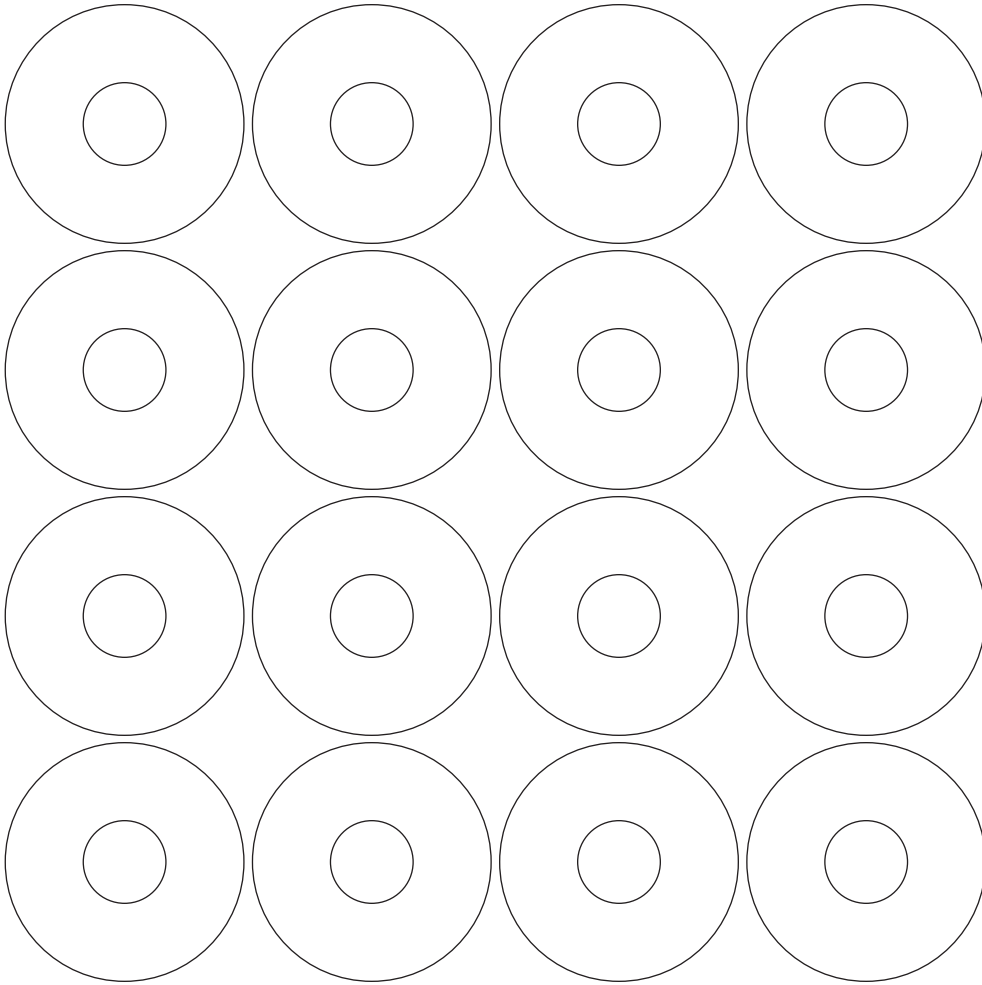


1/4-28 Grease  
Fitting

(1)

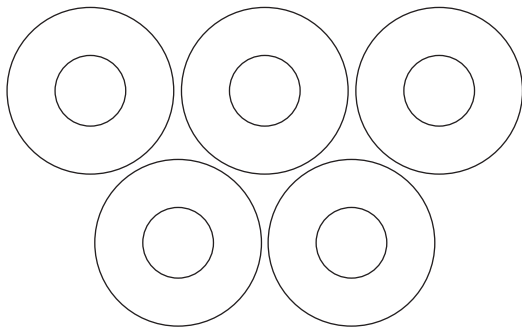
**7/16 x 1.25"**  
Flat Washer

**(16)**



**(6)**

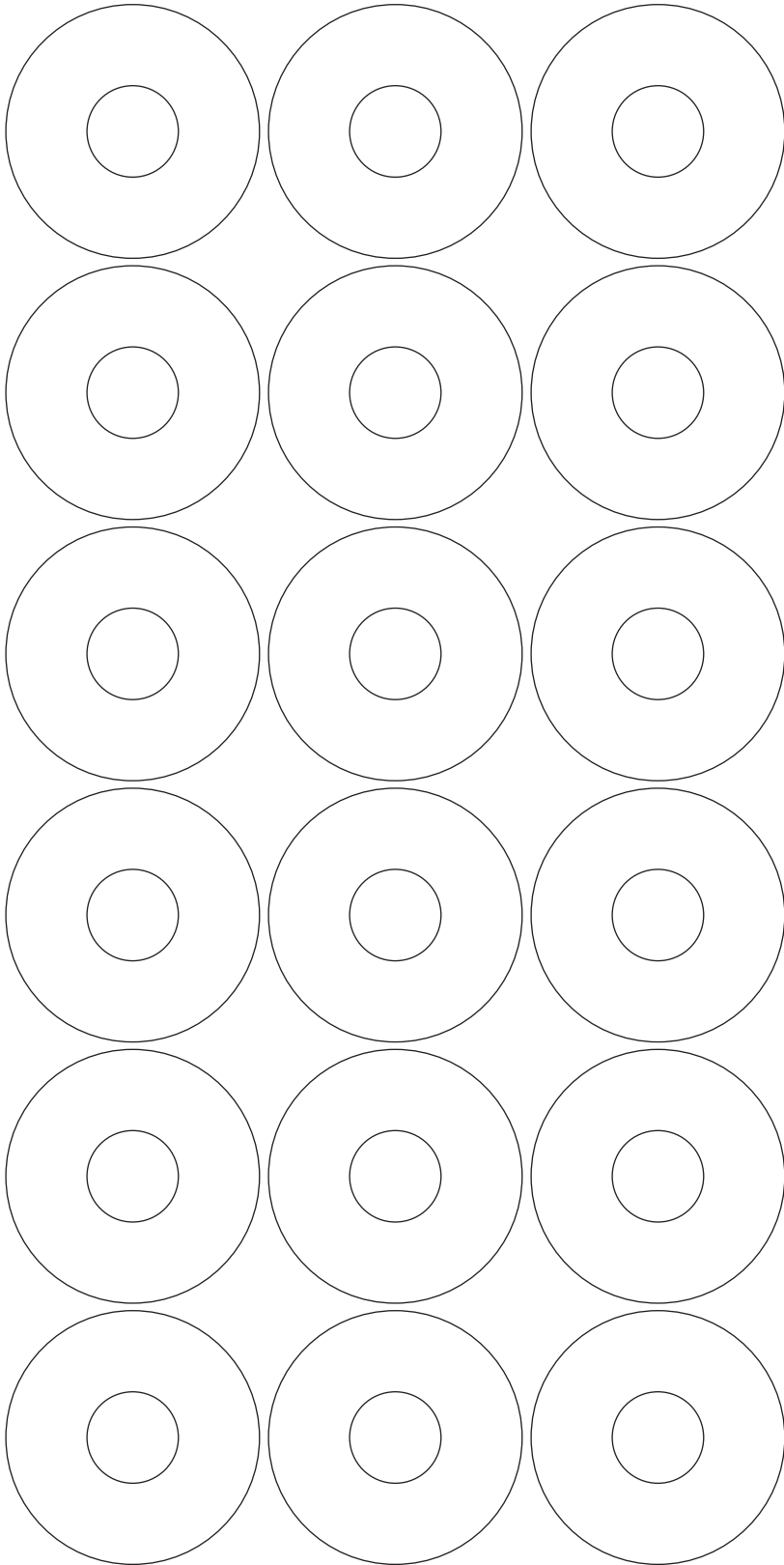
**5/16 x 0.75"**  
Flat Washer



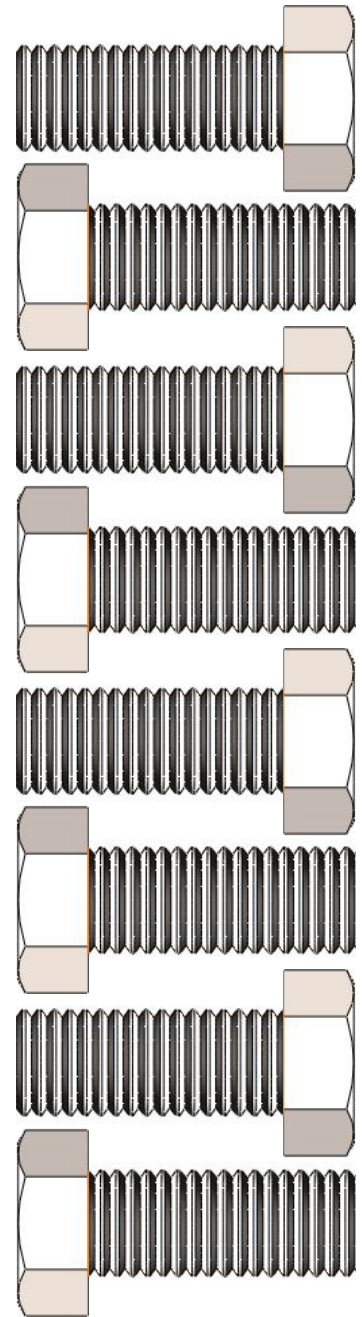
**3/8 x 0.875"**  
Flat Washer

**(5)**





**1/2 x 1.375"**  
Flat Washer **(18)**



**M14-1.5 x 35mm**  
HexBolt

**(8)**