



# OVERLAND RUNNING BOARDS

Assembly, Installation, Operation,  
and Maintenance Instructions

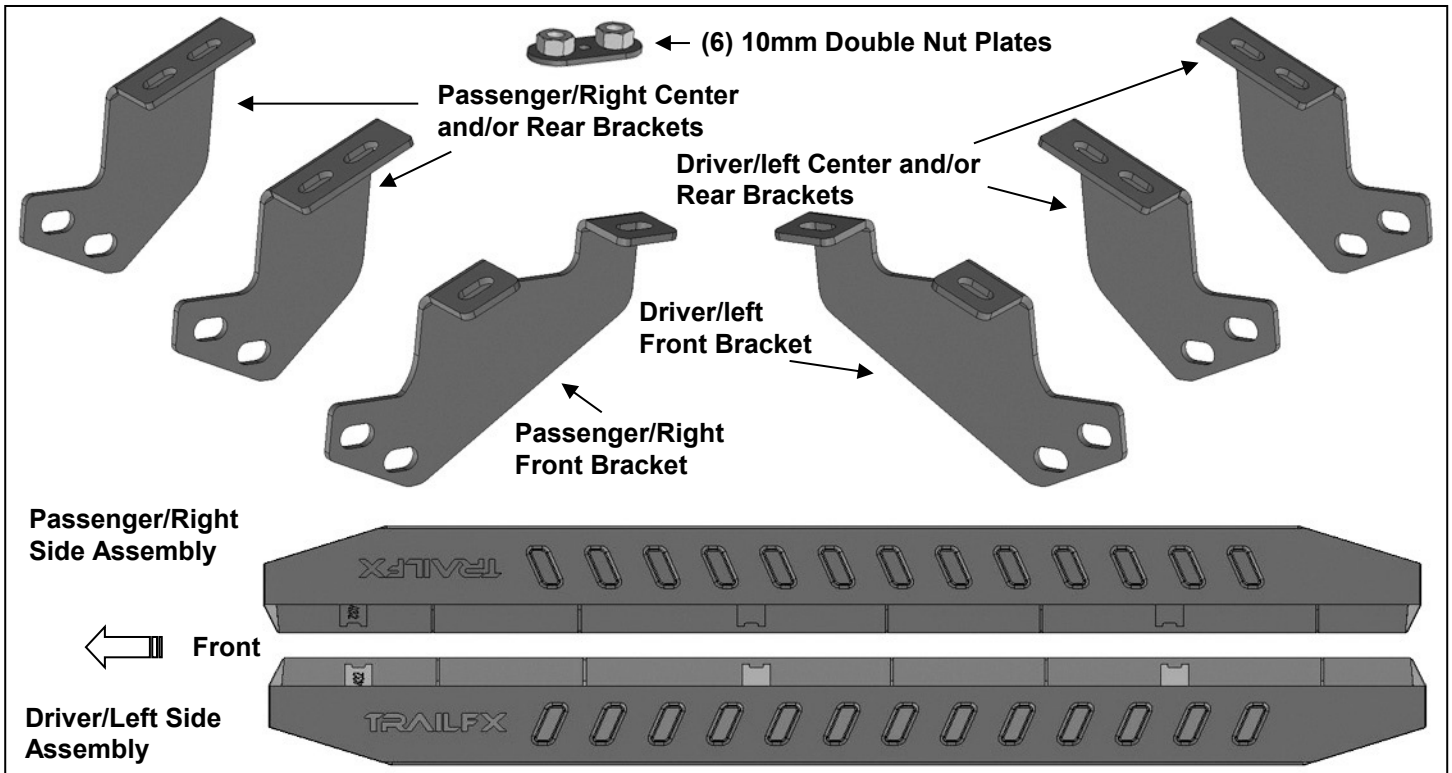
<b>PART NUMBER</b>	<b>ORB009</b>
<b>INSTALL TIME</b>	<b>120 MINUTES</b>

**2010-2023 TOYOTA 4RUNNER**  
**(EXCLUDES 2010-2013 SR5 AND 2010-2023 LIMITED, 2019-2021 NIGHTSHADE MODELS)**  
**(EXCLUDES ALL MODELS WITH LOWER ROCKER PANEL EXTENSIONS)**

<b>DEALER / INSTALLER</b>	Provide a copy of these instructions to the end user of this product. These instructions provide important operating and safety information for proper usage of this product. Demonstrate the proper use of the product with the end user. Have the end user demonstrate that they understand the proper use of the product.
<b>END USER</b>	Read and follow all instructions included in this manual. Ask your Dealer/Installer for assistance if you do not understand the proper use of the product. Never remove any decals from the product. Failure to follow these instructions can result in injury or death.

## PACKAGE CONTENTS

DRIVER/LEFT RUNNING BOARD	1	10mm DOUBLE NUT PLATES	6
PASSENGER/RIGHT RUNNING BOARD	1	10-1.5mm X 30mm HEX BOLTS	12
DRIVER/LEFT FRONT BRACKET	1	10mm X 20mm X 2mm FLAT WASHERS	12
PASSENGER/RIGHT FRONT BRACKET	1	10mm LOCK WASHERS	12
DRIVER/LEFT CENTER/REAR BRACKETS	2	8-1.25mm X 30mm HEX BOLTS	12
PASSENGER/RIGHT CENTER/REAR BRACKETS	2	8mm X 24mm X 2mm FLAT WASHERS	12
		8mm LOCK WASHERS	12



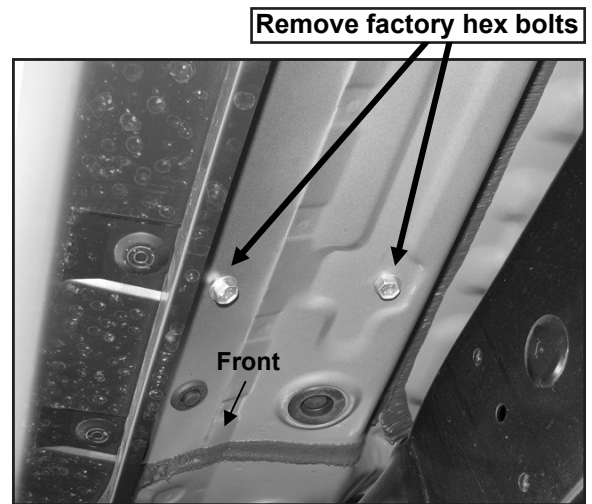
# PROCEDURE

REMOVE CONTENTS FROM BOX. VERIFY ALL PARTS ARE PRESENT. READ INSTRUCTIONS CAREFULLY BEFORE STARTING INSTALLATION.

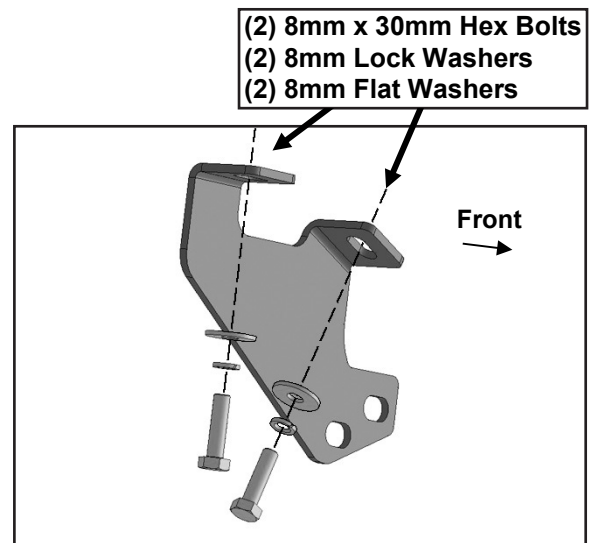
1. Start installation along the driver/left side of the vehicle near the front tire opening. Remove the existing (2) factory bolts or plugs in the floor panel, **(Figure 1)**. Select the driver/front Mounting Bracket, **(Figure 2)**. Line up the (2) mounting holes. Secure the bracket to the vehicle with the included (2) 8mm x 30mm Hex Bolts, (2) 8mm Lock Washers and (2) 8mm Flat Washers. Do not fully tighten hardware.

2. Move to the center mounting location, **(Figure 3)**. Select (1) driver/left center/rear Mounting Bracket, **(Figure 5)**. Repeat the procedure as described in **Step 1** to install the center Mounting Bracket. Do not fully tighten hardware at this time.

## Driver/Left Side Installation Pictured



**(Figure 1) Driver/left front mounting location.**



**(Figure 2) Attach driver/left front Bracket to front mounting location.**



**(Figure 3) Driver/left center mounting location.**

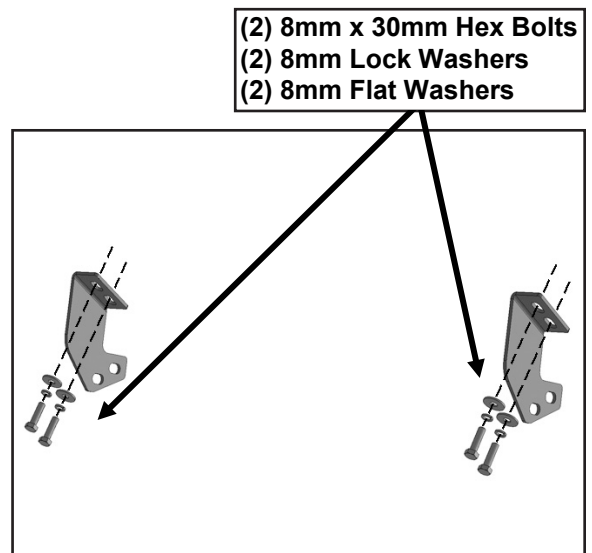
## PROCEDURE (CONTINUED)

3. Continue on to the last mounting location toward the rear wheel opening, **(Figure 4)**. Repeat **Step 2** to install the remaining driver/left center/rear Mounting Bracket in the rear location, **(Figure 5)**. Do not fully tighten hardware at this time.

### Driver/Left Side Installation Pictured



**(Figure 4) Driver/left rear mounting location.**



**(Figure 5) Attach driver/left center/rear Mounting Brackets to vehicle.**

## PROCEDURE (CONTINUED)

4. Carefully unwrap the driver/left Overland Step. With assistance, lift the Step up to the rear facing side of the Brackets. Attach the Step to the Brackets with the included (3) 10mm Double Nut Plates, (6) 10mm x 30mm Hex Bolts, (6) 10mm Lock Washers and (6) 10mm Flat Washers, **(Figures 6 & 7)**.

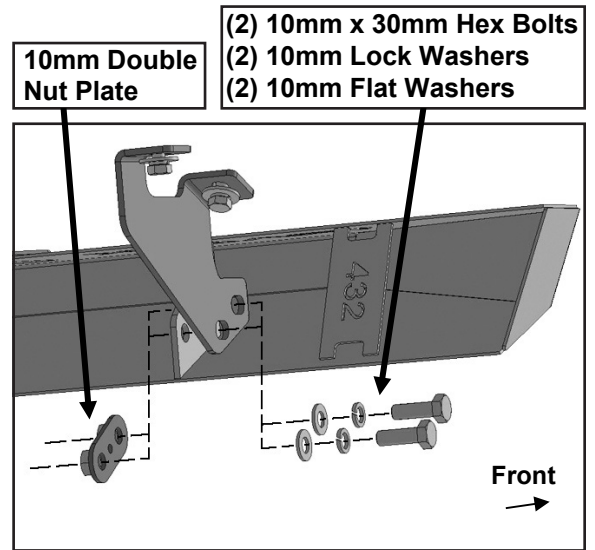
5. Align and adjust the assembly as necessary and fully tighten all hardware.

6. Repeat **Steps 1-5** for the passenger/right Overland Step installation.

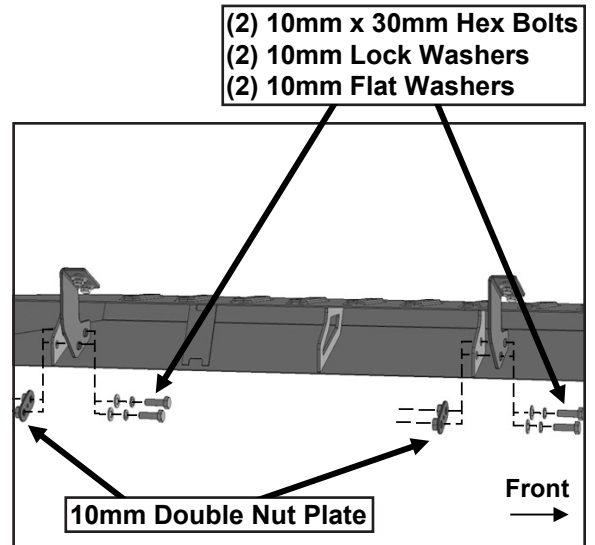
7. Do periodic inspections to the installation to make sure that all hardware is secure and tight.

**To protect your investment;** Do not use any type of polish or wax that may contain abrasives that could damage the finish. Mild soap may be used also to clean the Overland Steps.

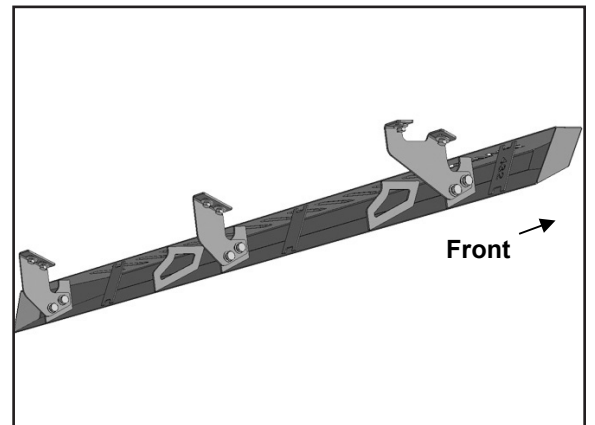
### Driver/Left Side Installation Pictured



**(Figure 6) Attach driver/left Overland Step to back of front Bracket.**



**(Figure 7) Attach driver/left Overland Step to back of center and rear Brackets.**



**Driver/left complete assembly.**

## PRODUCT CARE

- Periodically check the product to ensure all fasteners are tight and components are intact.
- Regular waxing is recommended to protect the finish of the product.
- Use ONLY Non-Abrasive automotive wax. Use of any soap, polish or wax that contains an abrasive is detrimental and can scratch the finish leading to corrosion.
- Mild soap may be used to clean the product for Black finish.

## FAQs

<b>Hardware and mounting brackets are not aligning properly.</b>	Ensure that hardware is being used on the correct side of vehicle. In some cases, the hardware may appear the same for driver and passenger side but may alter the alignment of mounting location. Check mounting brackets for both sides.
<b>Products are thumping / rattling after Installation.</b>	Ensure that all required mounting brackets/hardware's are installed & tightened correctly. Suggest using white Lithium/regular grease between metal-to-metal contact.
<b>Missing / Excess Hardware.</b>	Recheck hardware count as per the part list.
<b>Product not installing properly.</b>	Ensure the Year/Make/Model as well as cab and bed dimensions are correct for the application. Review all steps for installation to ensure they were followed correctly.
<b>Who should be contacted for questions regarding product / installation assistance?</b>	<a href="http://www.trailfx.com">www.trailfx.com</a> / <a href="mailto:support@trailfx.com">support@trailfx.com</a> or 1-(866) 638-4870

## CONTACT US

**WEBSITE:** TrailFX.com

**PHONE:** 1-866-638-4870

**EMAIL:** support@trailfx.com

## WARRANTY TERMS

### **Black Powder Coated: Limited 3 Year Warranty**

TrailFX and Keystone Automotive Operations Inc. make no guarantees or warranties for products not manufactured by Keystone Automotive Operations Inc. Such products are covered solely under any applicable warranty of the manufacturer. It is always recommended that the operating instructions and warranty instructions provided by the manufacturer are followed.

Keystone Automotive Operations Inc. warrants its products to be free from manufacturing and material defects to the original purchaser for the length of warranty stated above from the date of retail purchase. If any products are found to have a manufacturing or material defect, the product will be replaced or repaired at the option of TrailFX and Keystone Automotive Operations Inc. with proof of purchase by the original purchaser. The original purchaser shall pay all transportation and shipping costs associated with the return of the defective product and the defective product shall become the property of Keystone Automotive Operations Inc.

This Warranty applies to Keystone Automotive Operations Inc. products used for individual and recreational purposes. Commercial usage of the Keystone Automotive Operations Inc. products limits the warranty to 90 days from the date of purchase.

This Warranty applies only to Keystone Automotive Operations Inc. products which are found to be defective in manufacturing or material. This warranty does not apply to normal wear and tear of the finish placed on Keystone Automotive Operations Inc. products.

TrailFX and Keystone Automotive Operations Inc. are not responsible for any labor costs incurred for removal or replacement of the defective product.

TrailFX and Keystone Automotive Operations Inc. are not responsible for repair or replacement of any product under the limited warranty where the product was improperly installed, misapplied, altered, abused, neglected, overloaded, misused, or damaged as a result of an accident, including any use of the product not in accordance with all products operating and safety instructions.

Without limiting the generality of the foregoing, TrailFX and Keystone Automotive Operations Inc. shall under no circumstances be liable for any incidental or consequential loss or damage whatsoever arising out of, or in any way relating to any such breach of warranty or claimed defect in, or non-performance of the products. Some states do not allow the exclusion or limitation of incidental or consequential damages, so the above exclusion or limitation may not apply to you.

This limited warranty gives you specific legal rights, and you may also have other rights that vary from state to state.